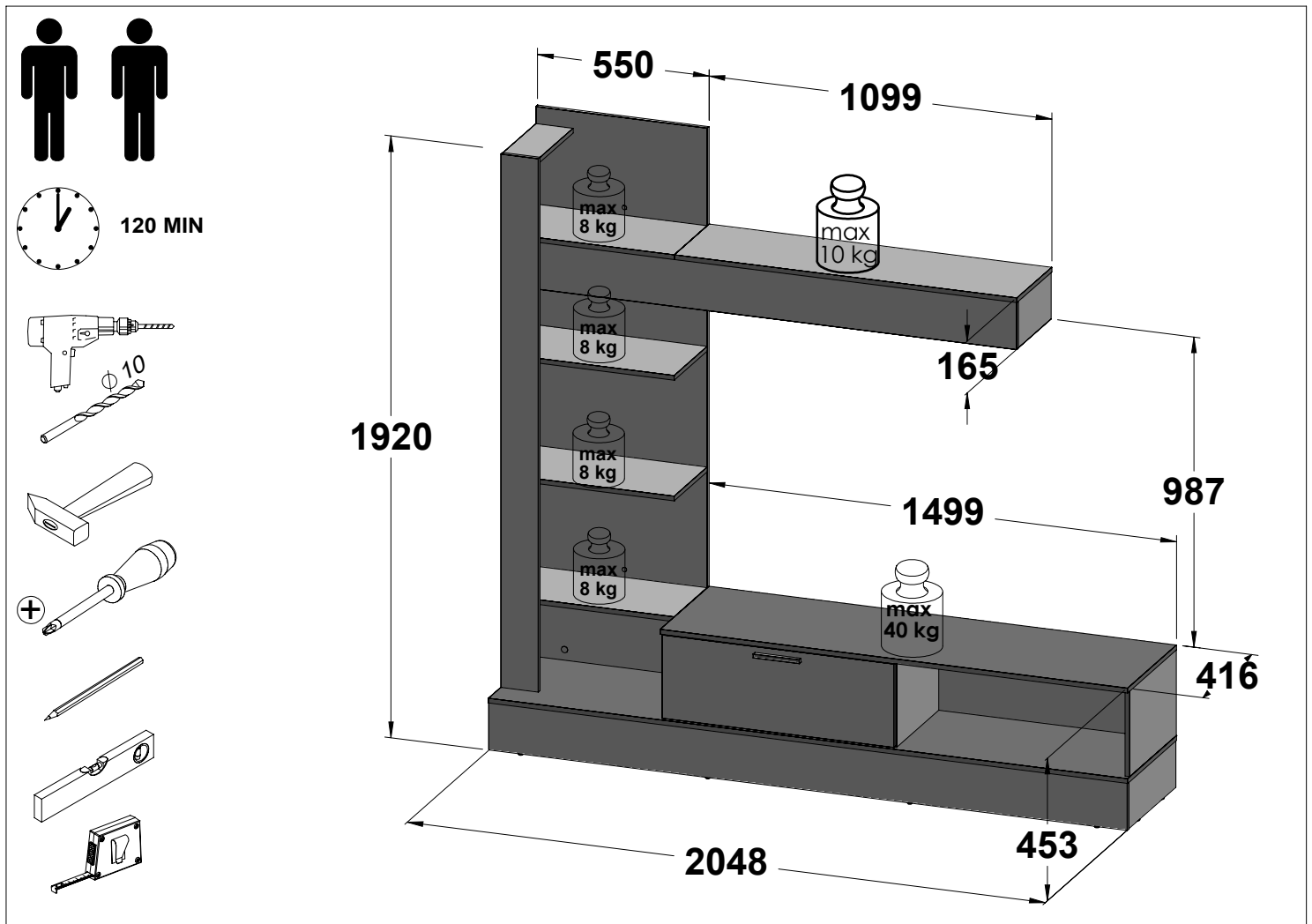


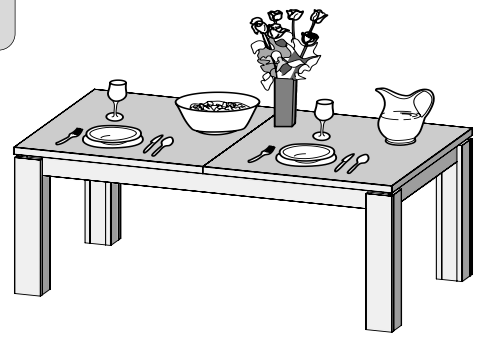
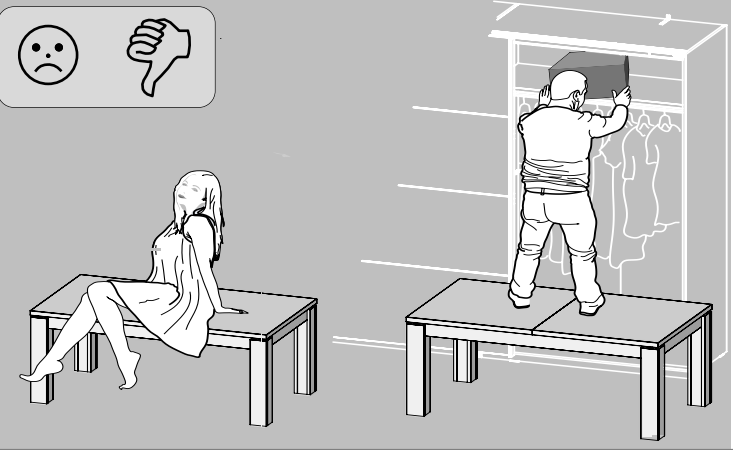
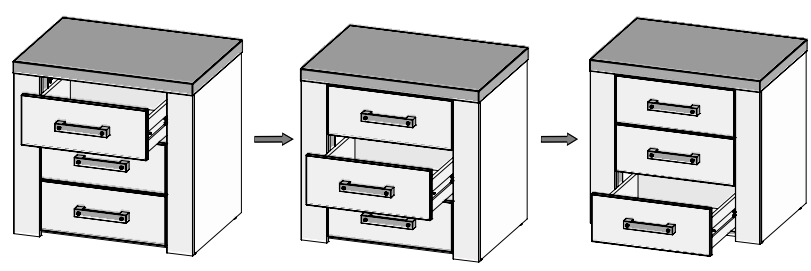
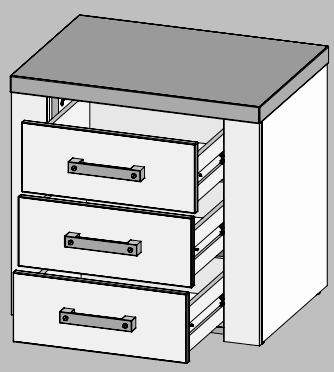
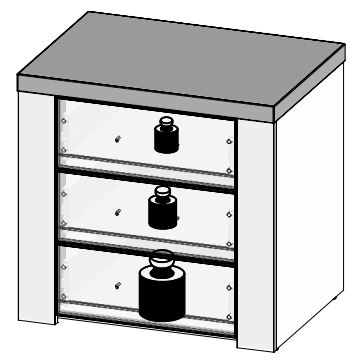
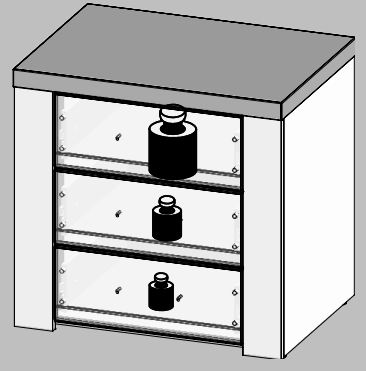
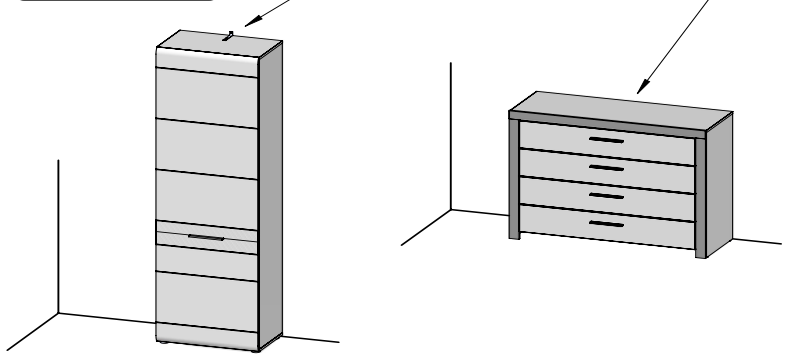
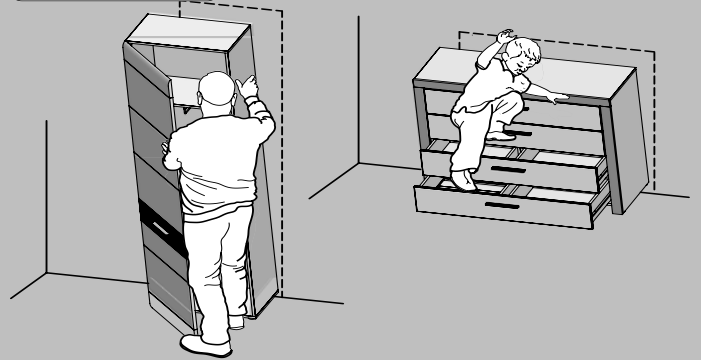
318-000010

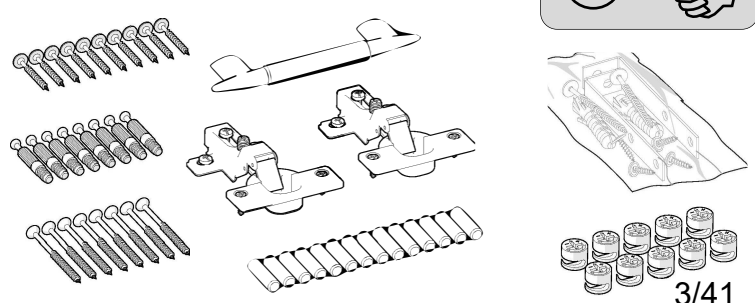


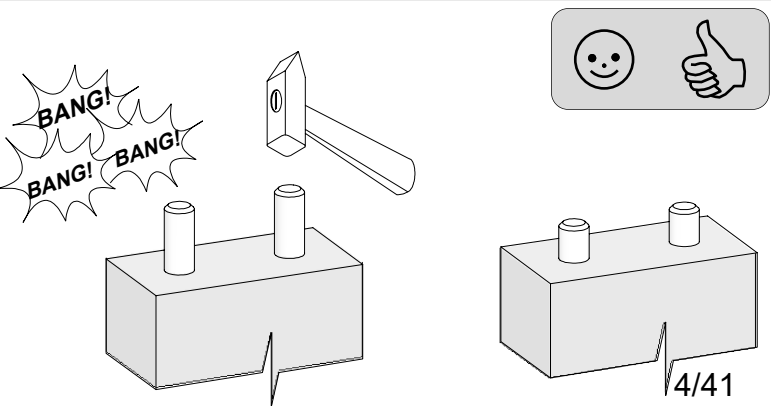
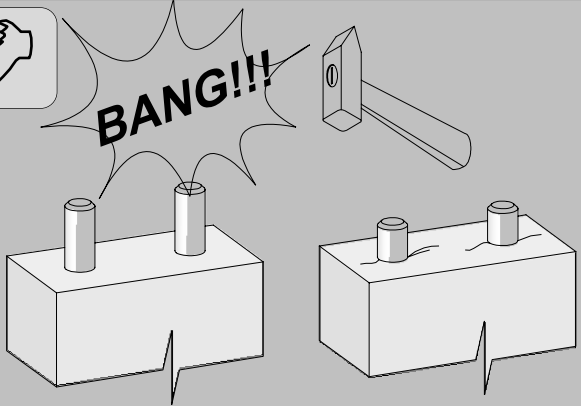
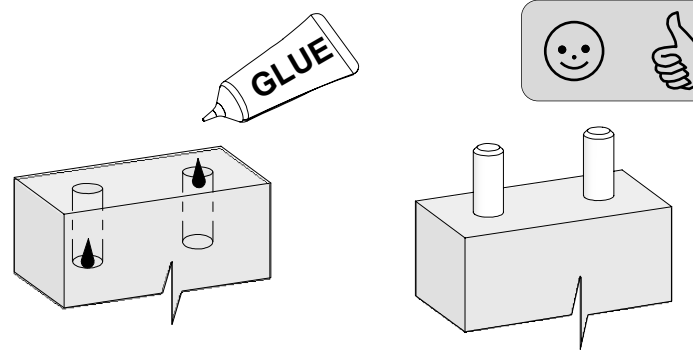
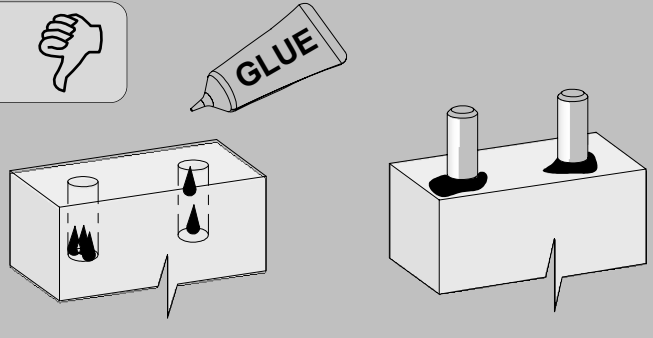
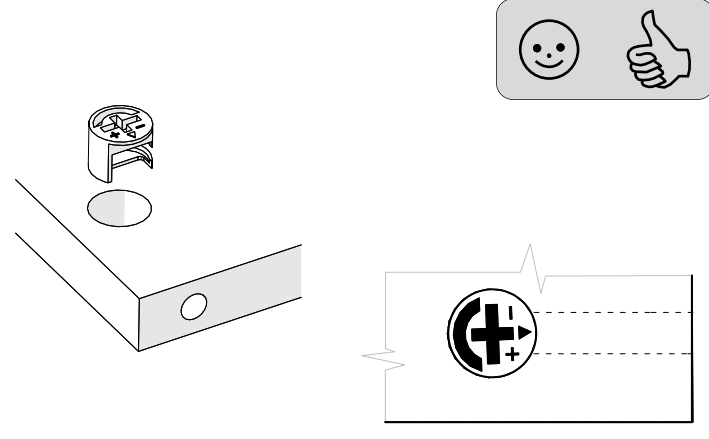
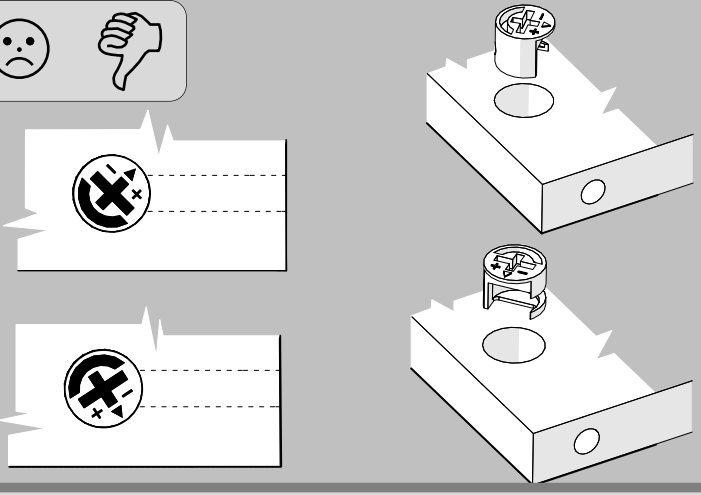
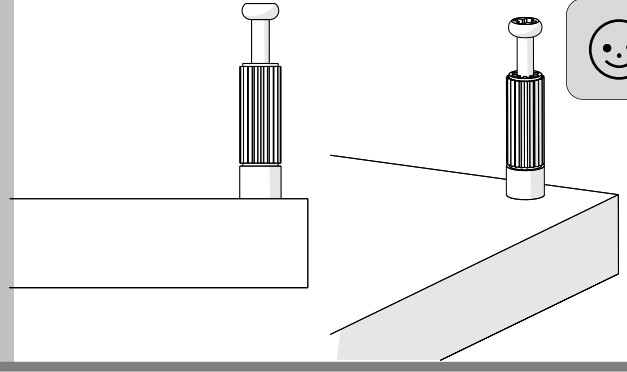
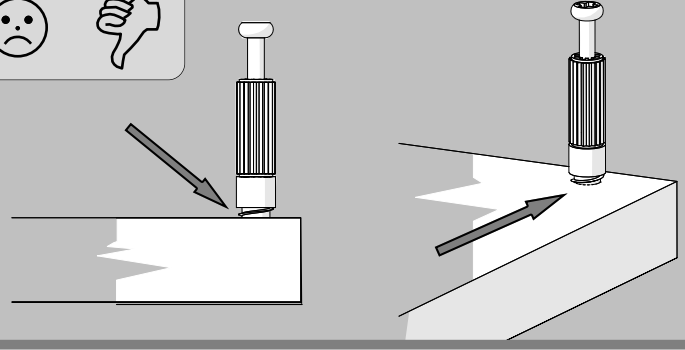
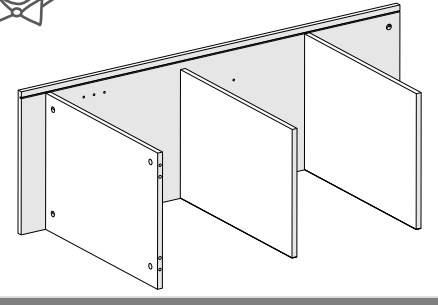
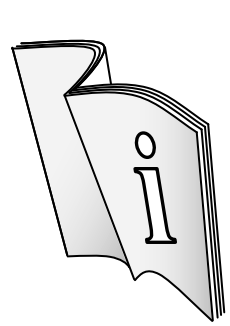
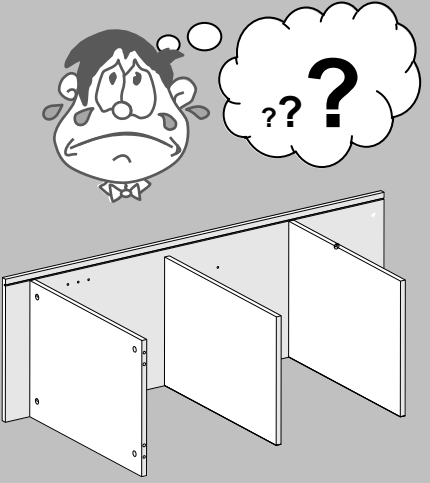
Assembling instruction



EN.Follow the manufacturer's assembly instructions, otherwise danger may occur.



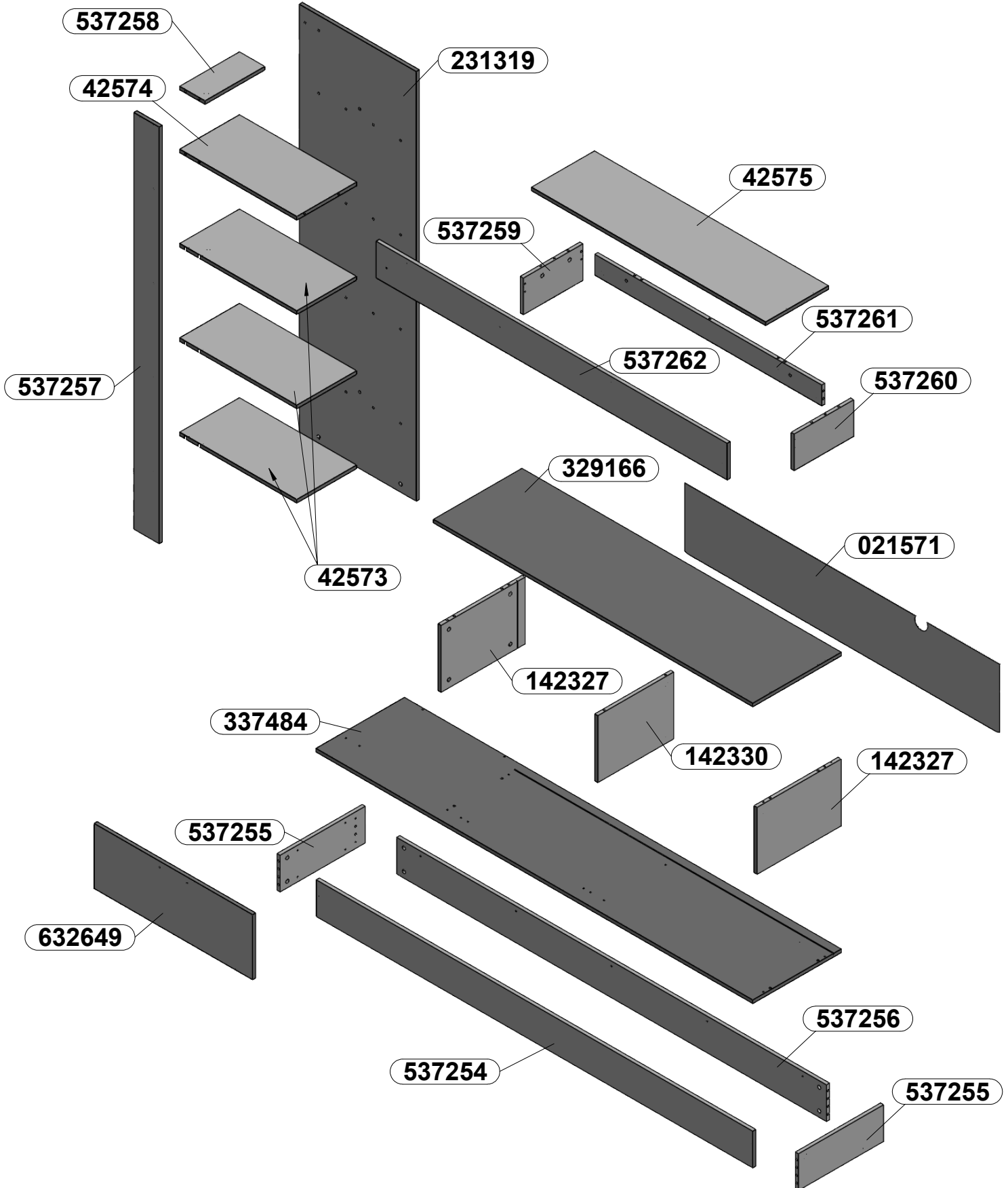
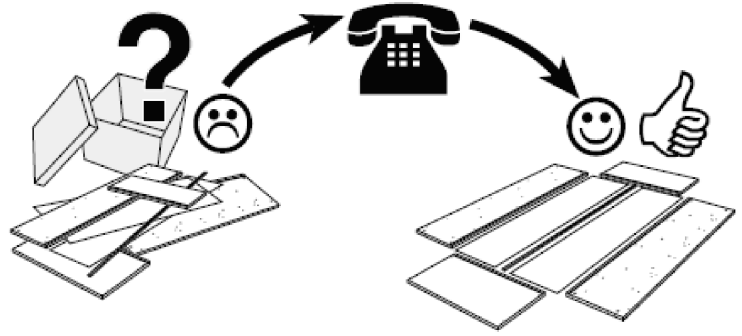
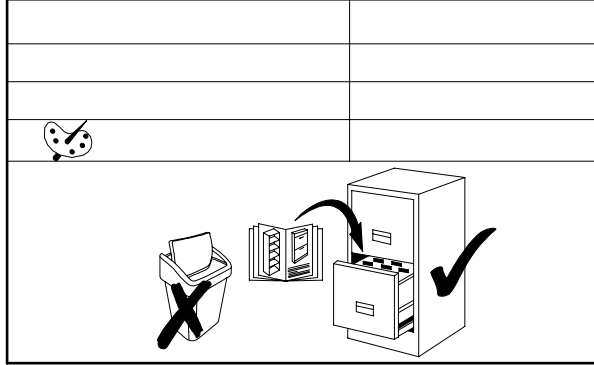




- EN -

Furniture containing wood-based panels (particle board, fibreboard, plywood etc.) may emit into indoor air inconsiderable amounts of substances used in the production processes. The level of this emission is examined and it meets the applicable standards. After assembling the furniture, it is advised to regularly ventilate the room where the furniture stands, which should last about four weeks or until the smell is eliminated.

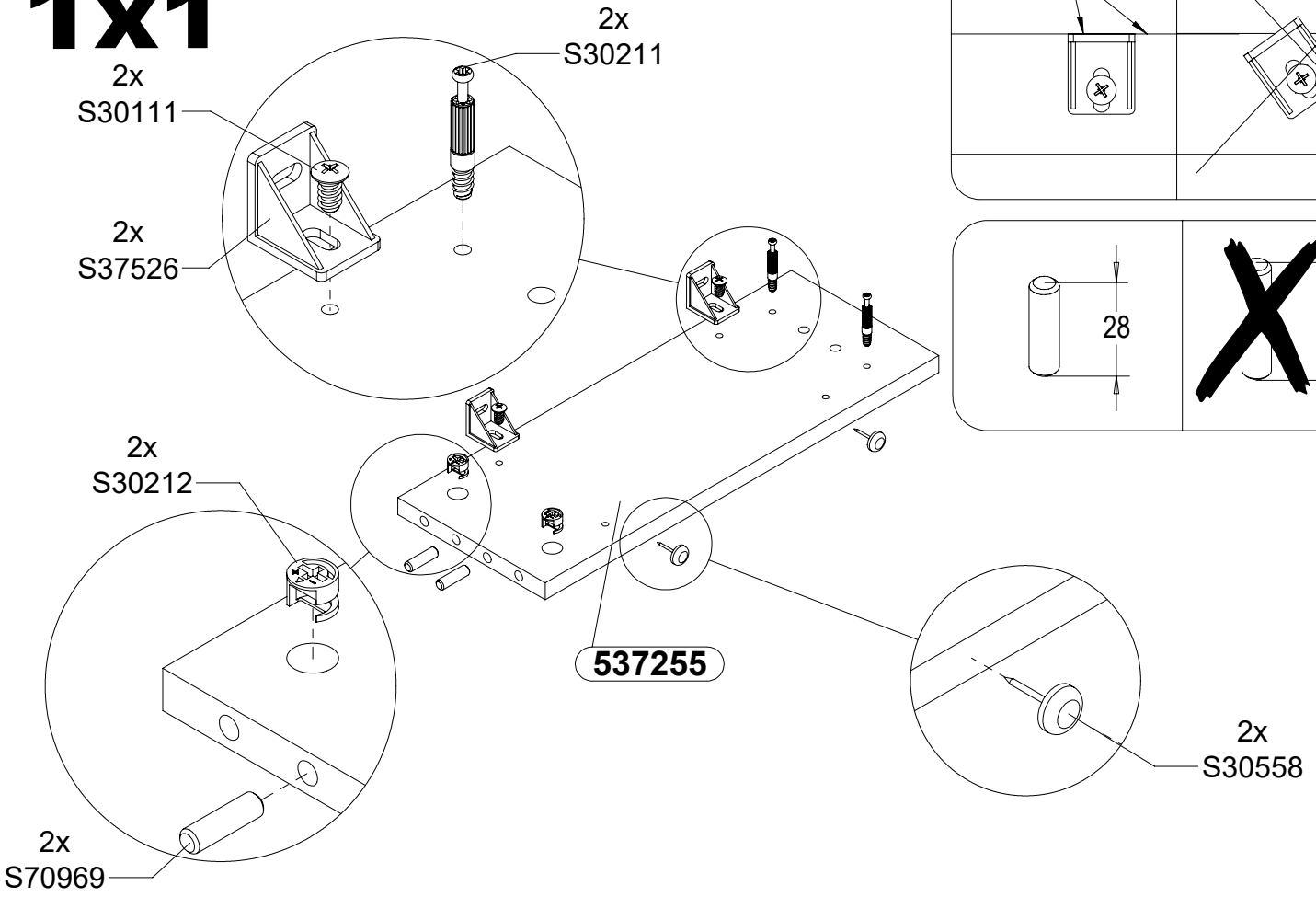
Service



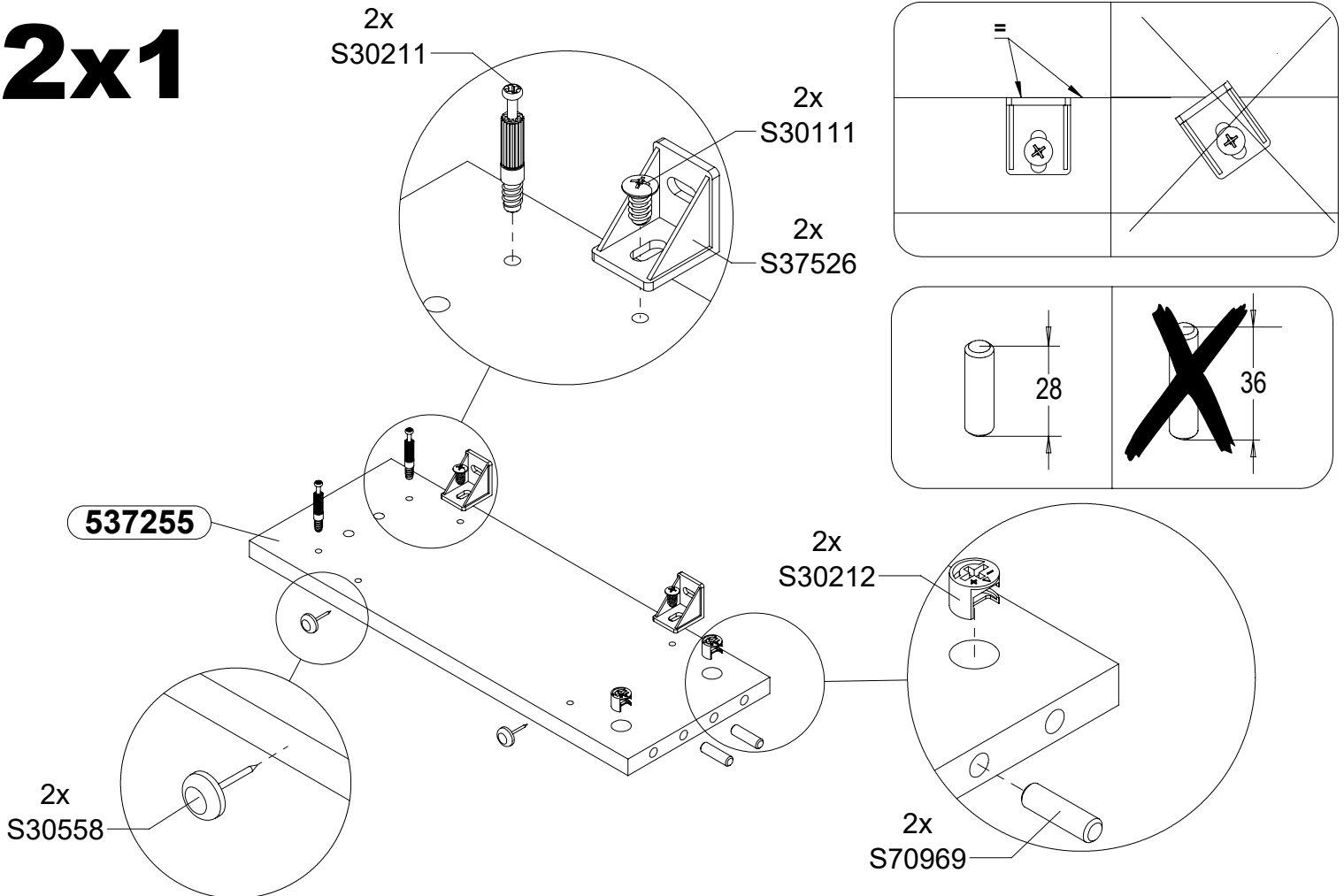
CODE	DIMENSIONS	Colli -0001	Colli -0002
021571	1478x283x2	1	
42573	550x281x15	3	
42574	550x281x15	1	
42575	1099x296x15	1	
142327	273x395x15	2	
142330	273x357x15	1	
231319	550x1750x15		1
329166	1499x416x15	1	
337484	2050x416x15		1
537254	2048x150x15		1
537255	400x150x15	2	
537256	2016x150x15		1
537257	1697x120x15		1
537258	281x120x15	1	
537259	150x280x15	1	
537260	150x280x15	1	
537261	1065x86x15	1	
537262	1647x150x15		1
632649	744x266x15	1	

<p>22x S70969 Ø8x28</p> 	<p>2x S70972 Ø8x36</p> 	<p>37x S30211</p> 	<p>6x S34722</p> 
<p>37x S30212 Ø15x12</p> 	<p>6x S3eeee-N</p> 	<p>5x S30106 Ø3.5x15</p> 	<p>3x S30174 Ø4x27</p> 
<p>2x S31298-14 Ø4x14</p> 	<p>38x S30111 Ø6,3x13</p> 	<p>8x S30102 Ø6,3x13</p> 	<p>18x S32080 Ø6,4x50</p> 
<p>3x S31299 Ø1,6x30</p> 	<p>12x S30558</p> 	<p>2x S39256</p> 	<p>16x S3iiii Ø20</p> 
<p>4x S3gggg Ø14</p> 	<p>6x S30978</p> 	<p>7x S35658</p> 	<p>19x S37526</p> 
<p>2x S30461</p> 	<p>2x S30460</p> 	<p>1x S30066</p> 	<p>1x S30577</p> 
<p>4x S36628-70 Ø10x50, Ø5x70</p> 	<p>1x S36628 Ø10x50, Ø5x60</p> 		
<p>1x S32892-N</p> 	<p>1x S37890</p> 		
<p>2x S3-S34611</p> 	<p>1x S38121</p> 		

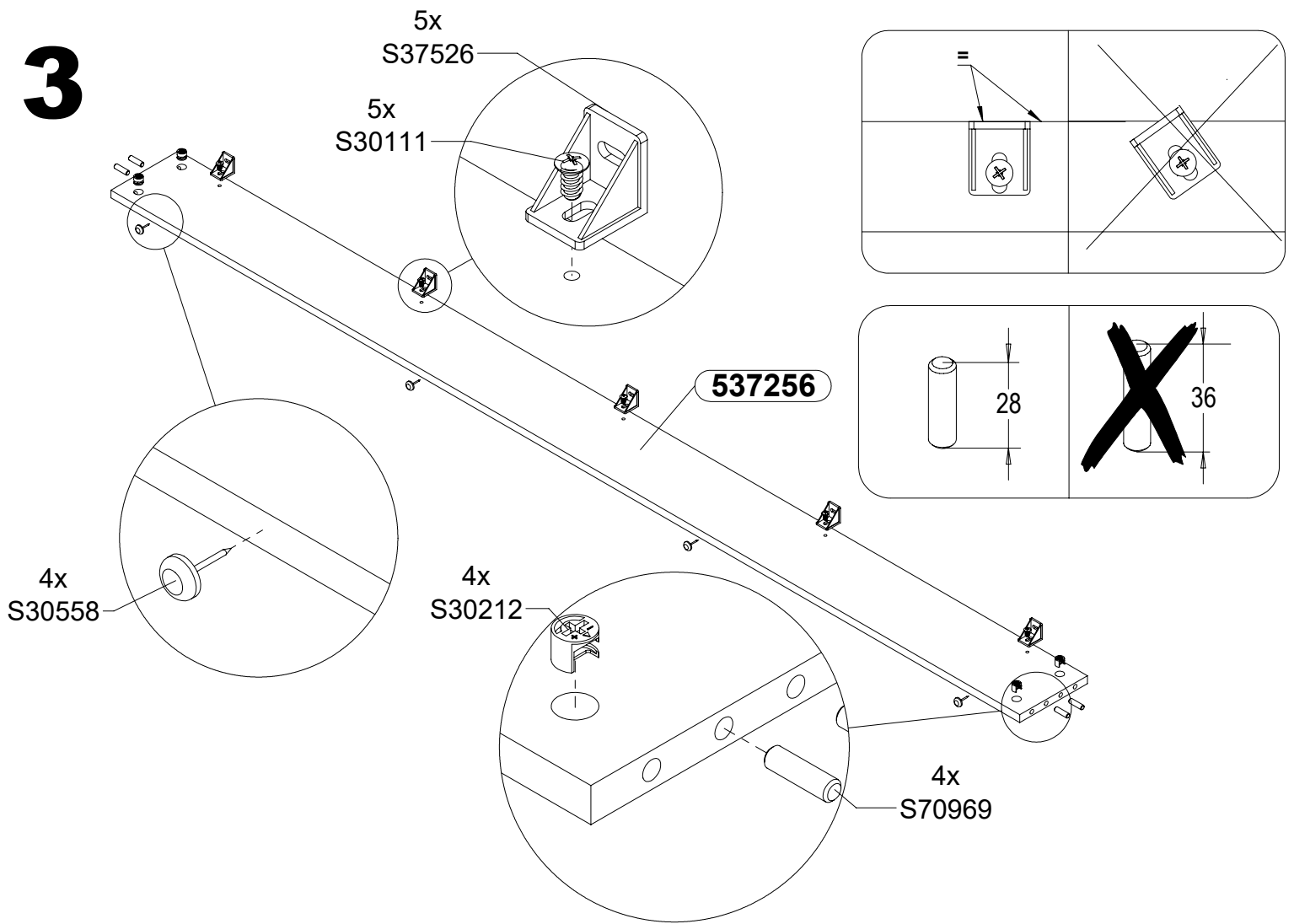
1x1



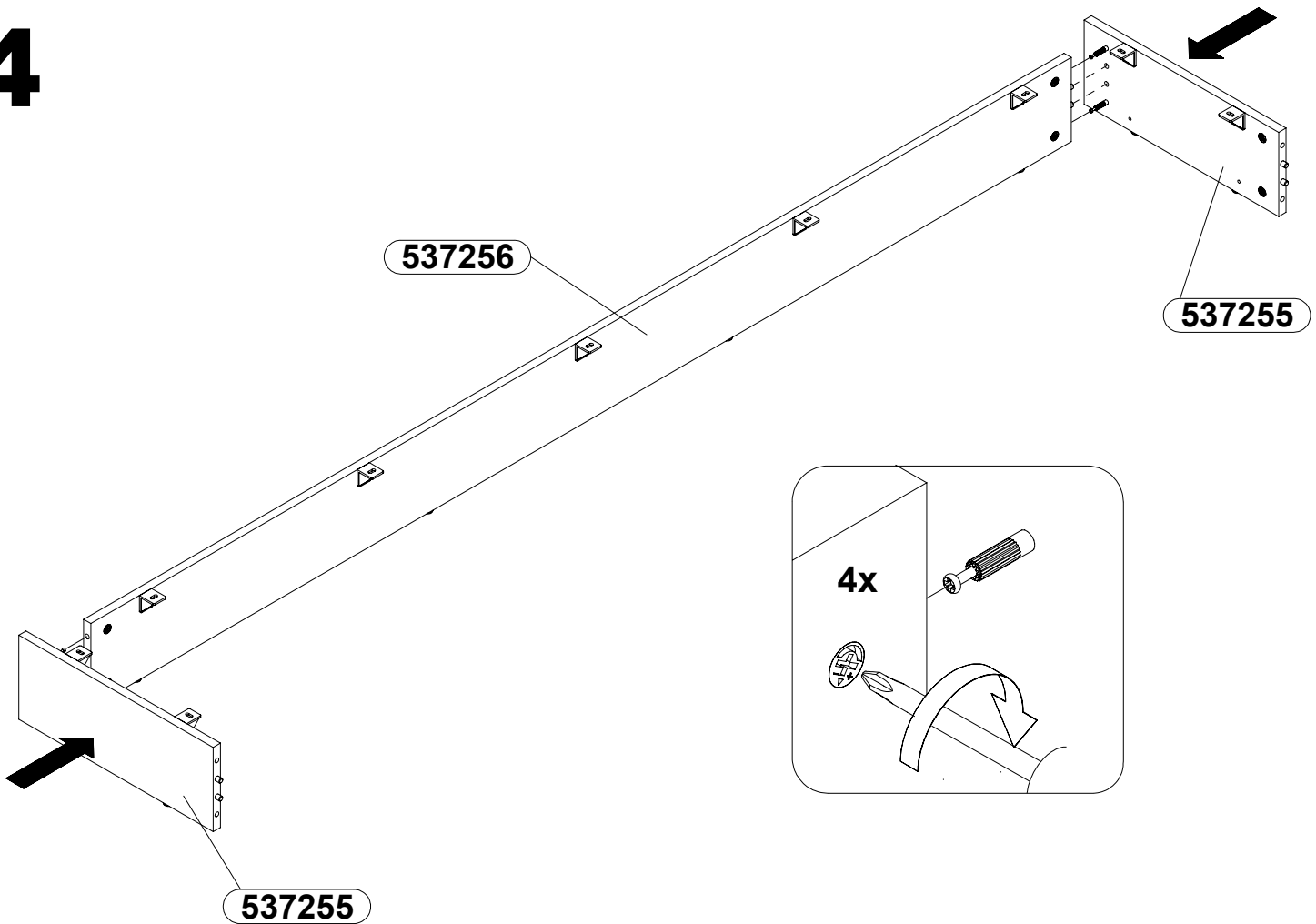
2x1



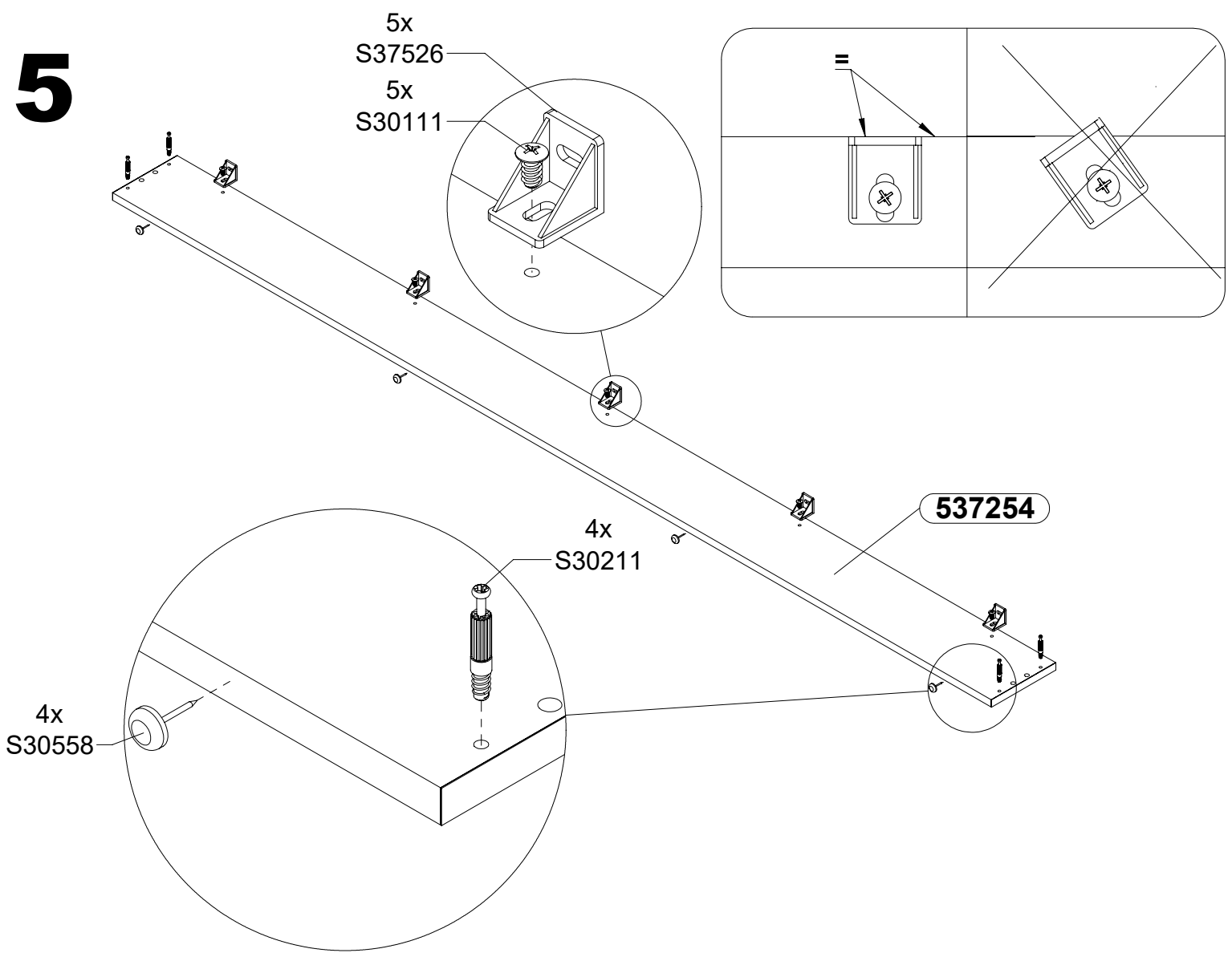
3



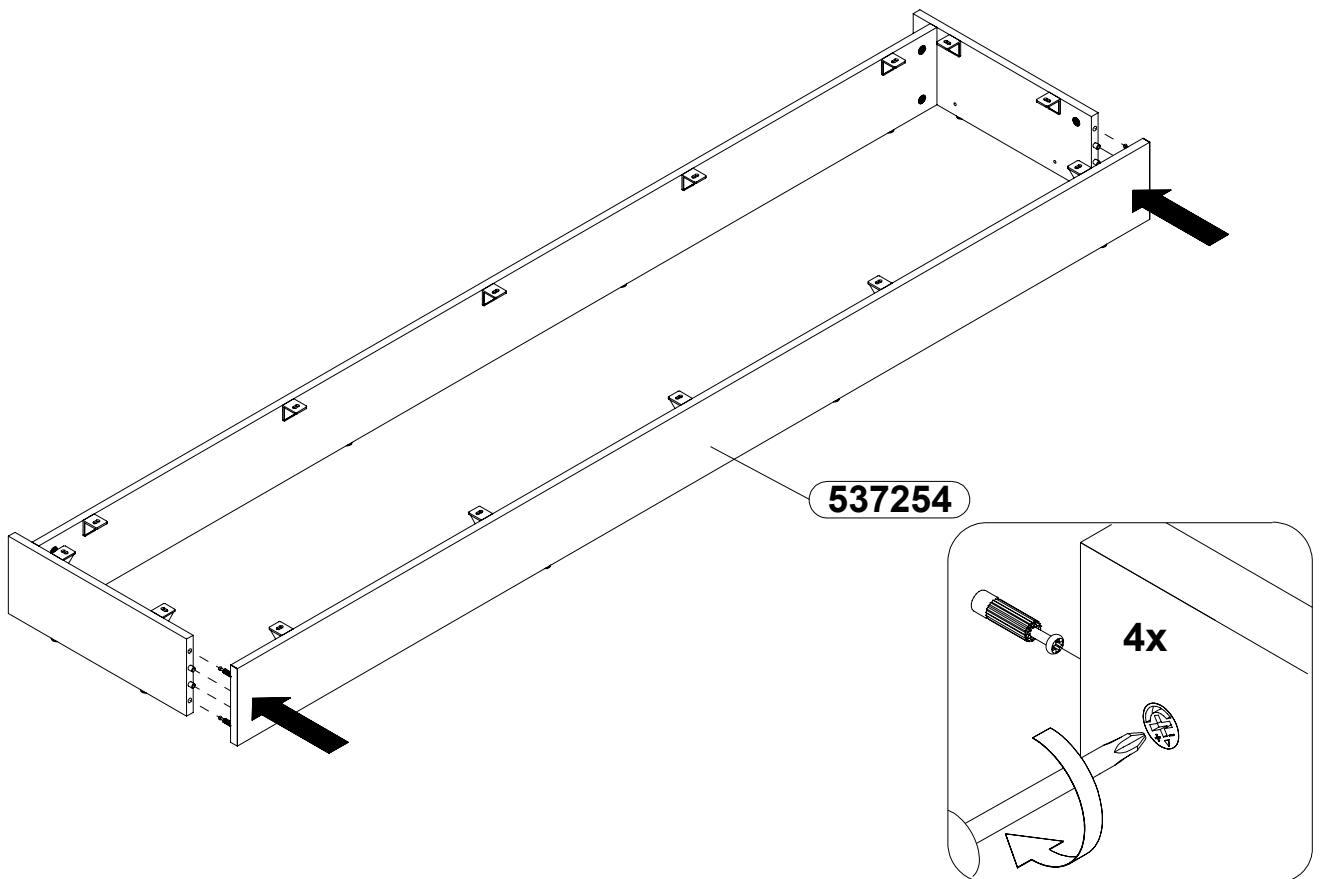
4



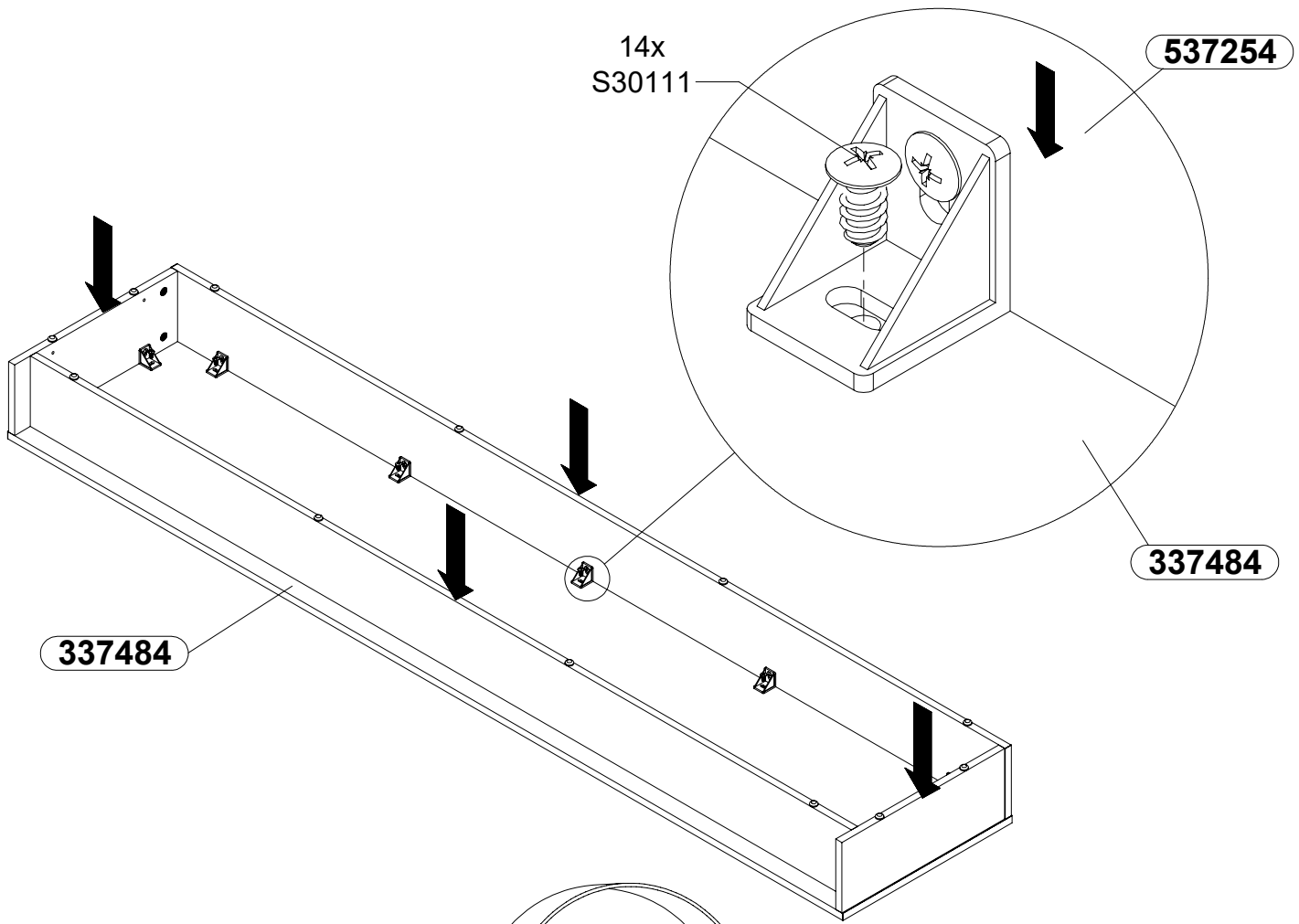
5



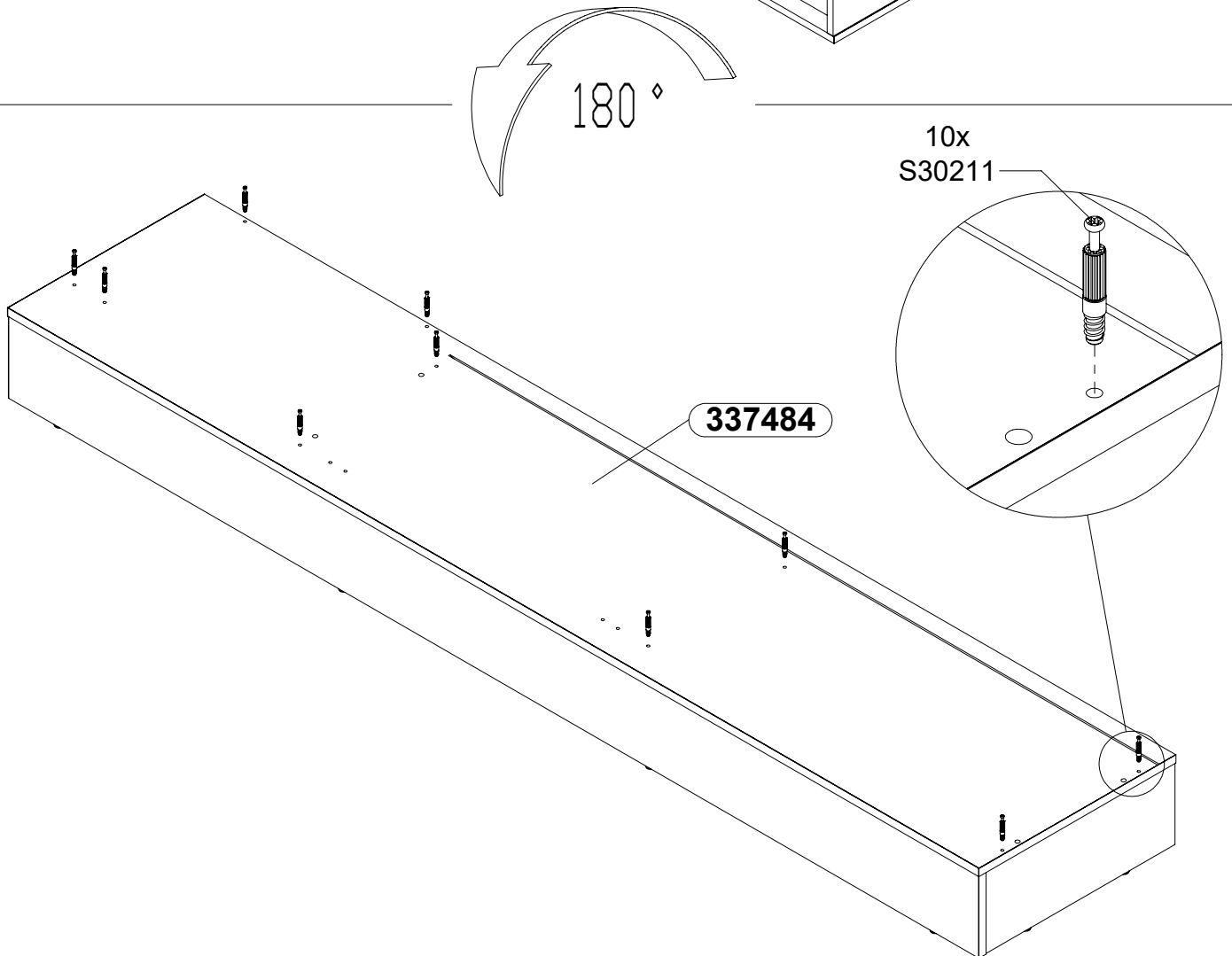
6



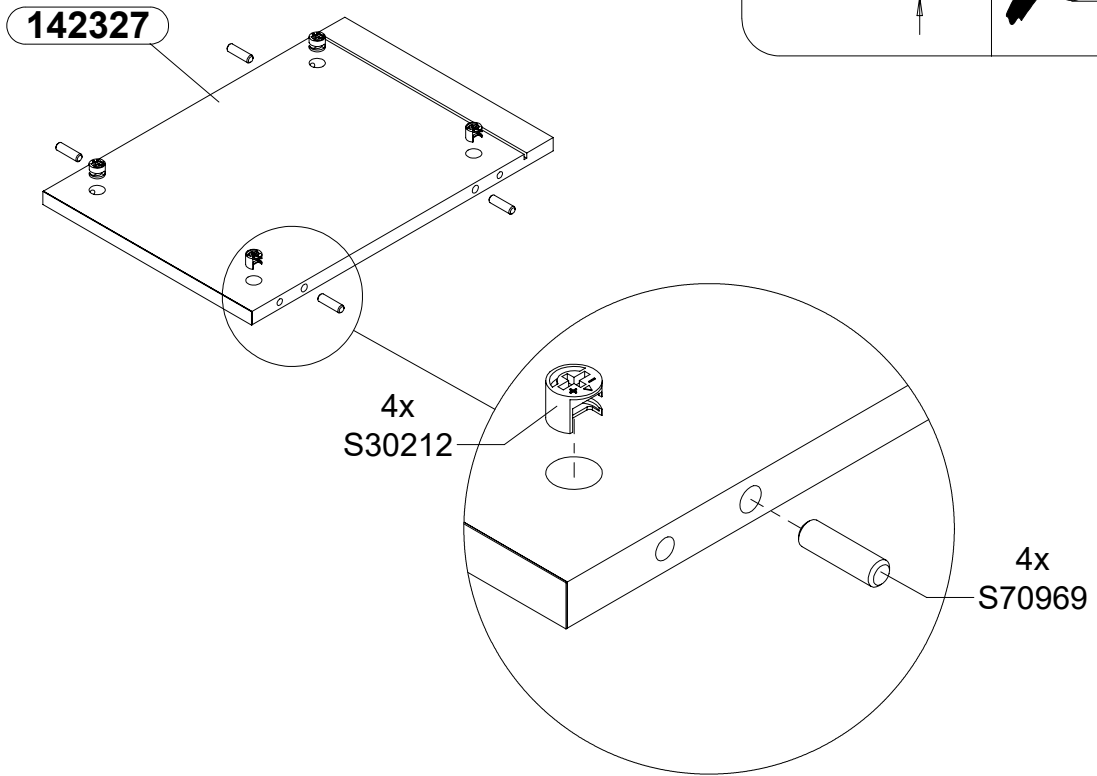
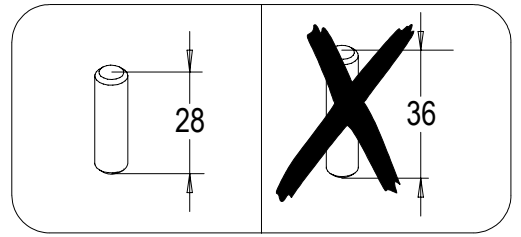
7



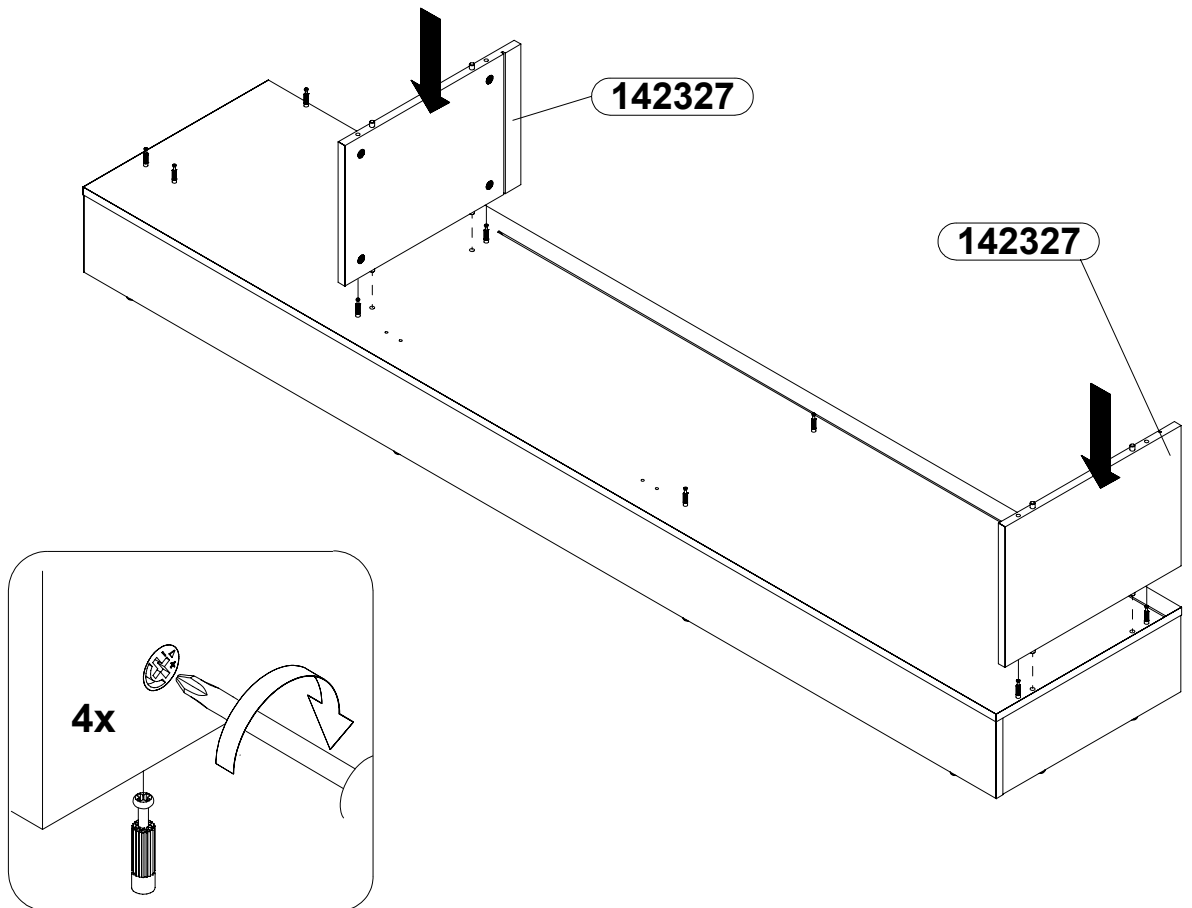
8



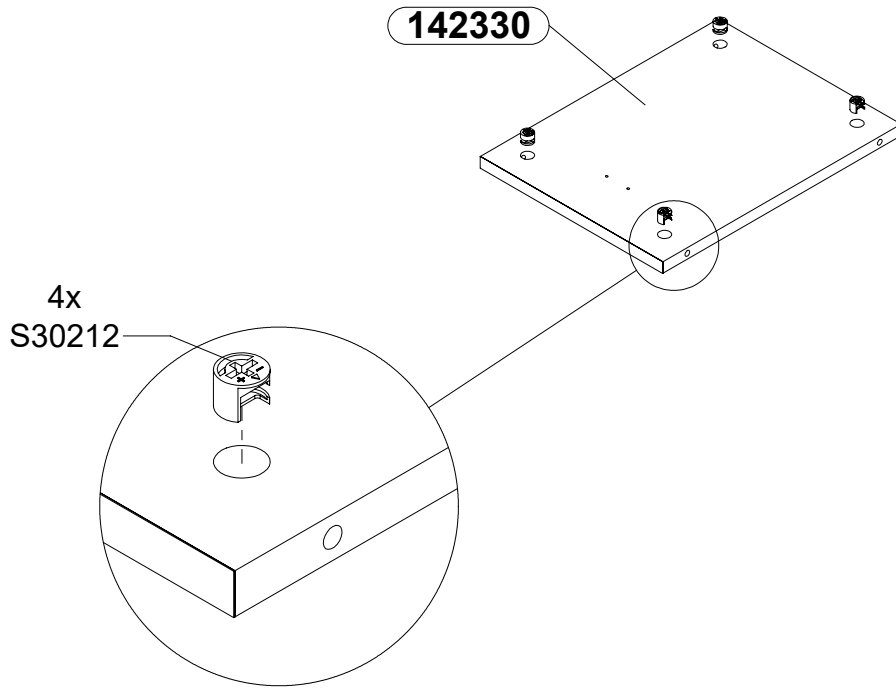
9x2



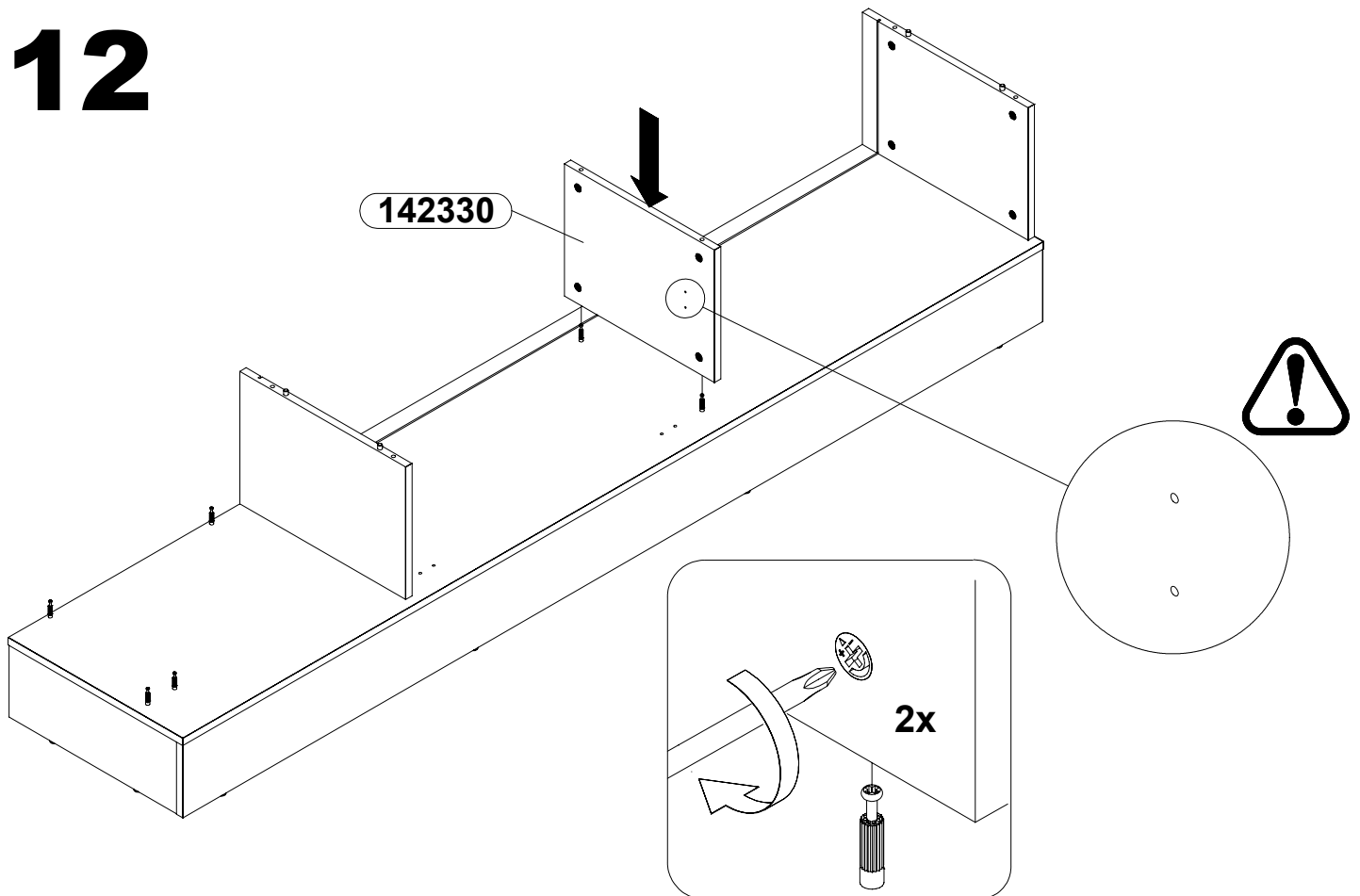
10



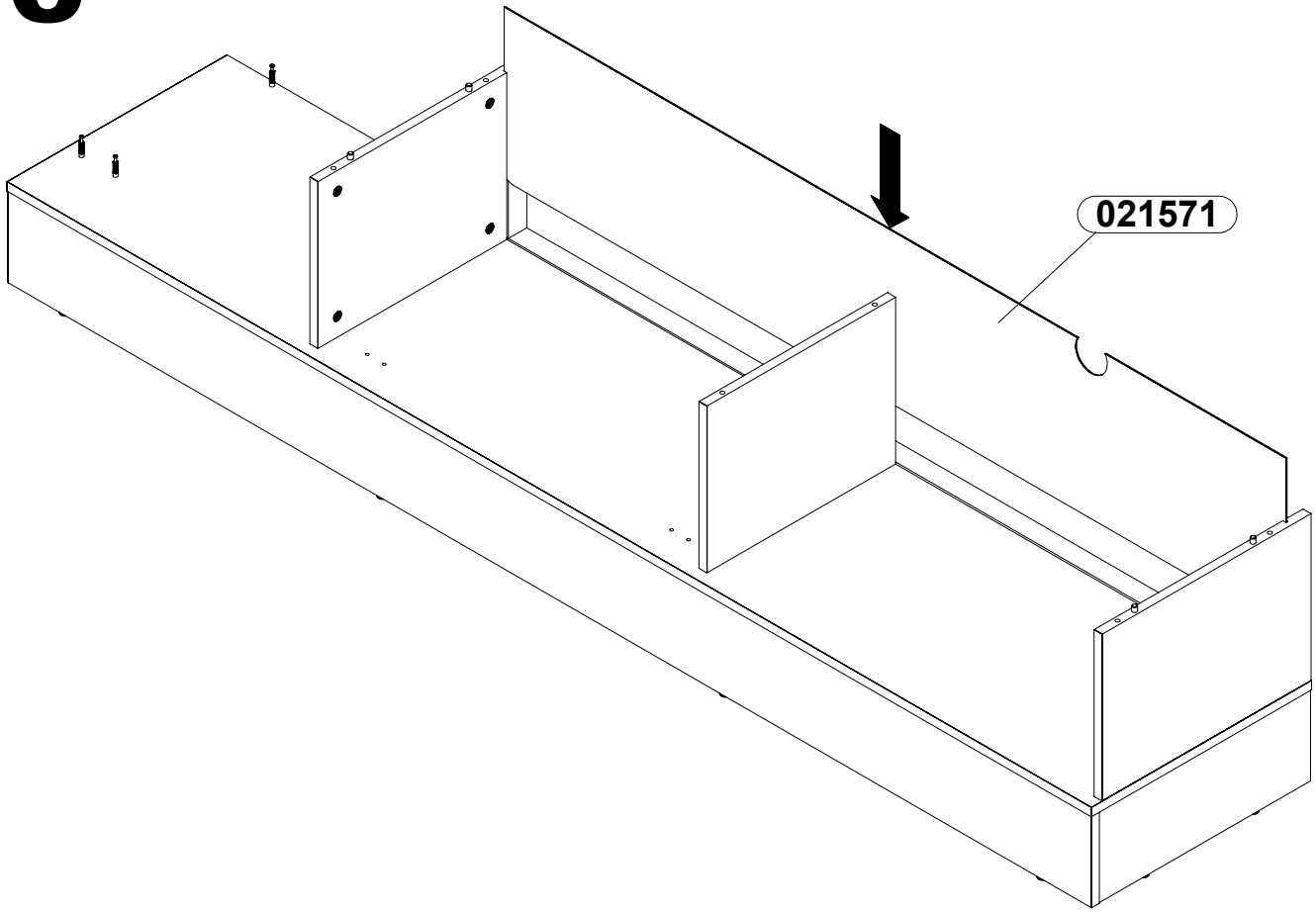
11



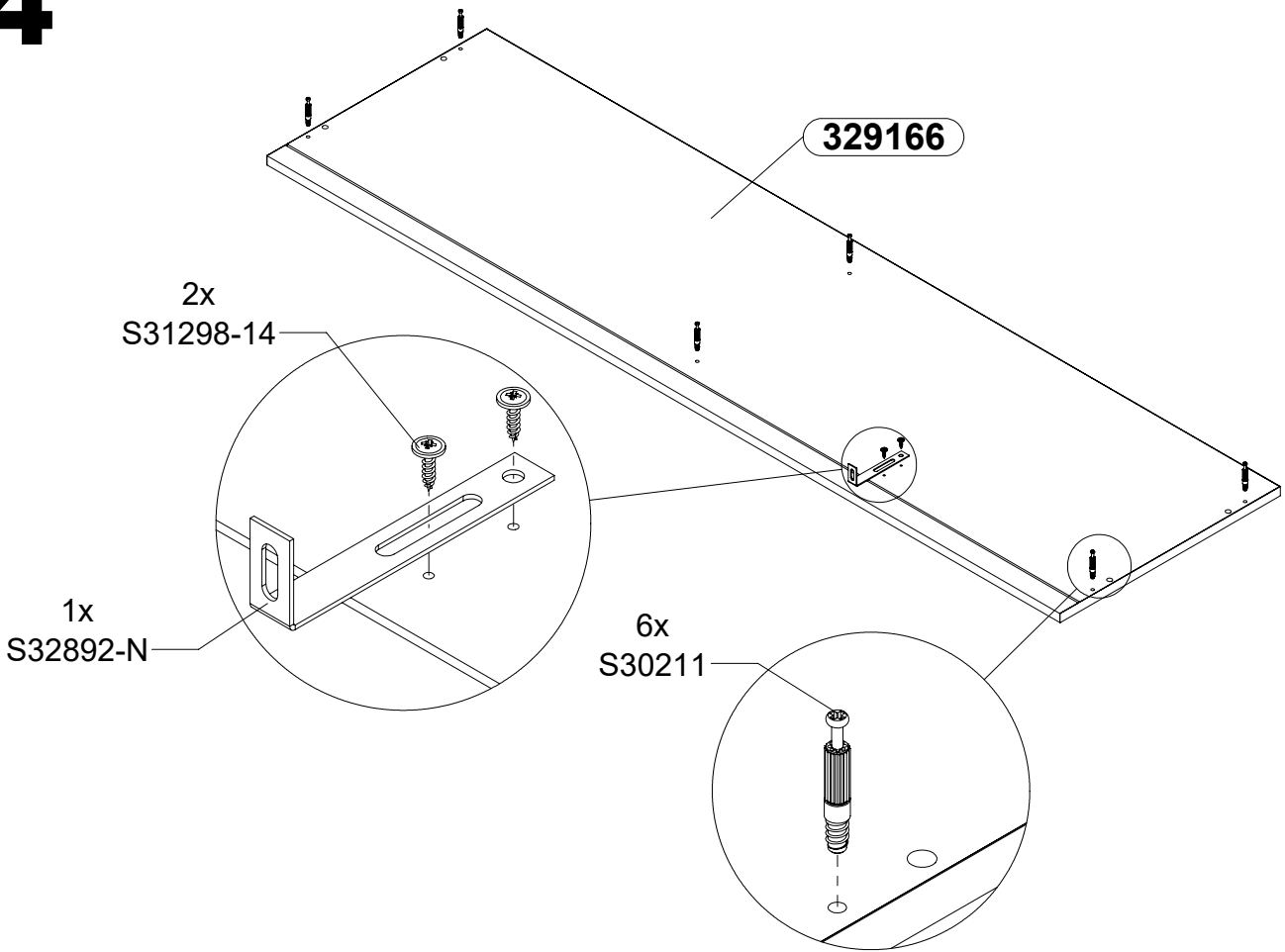
12



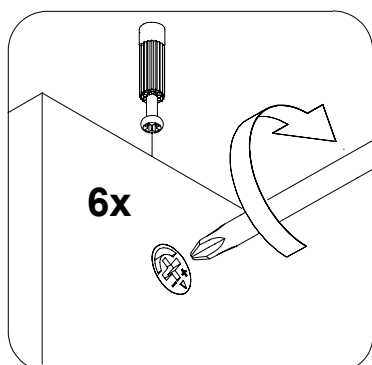
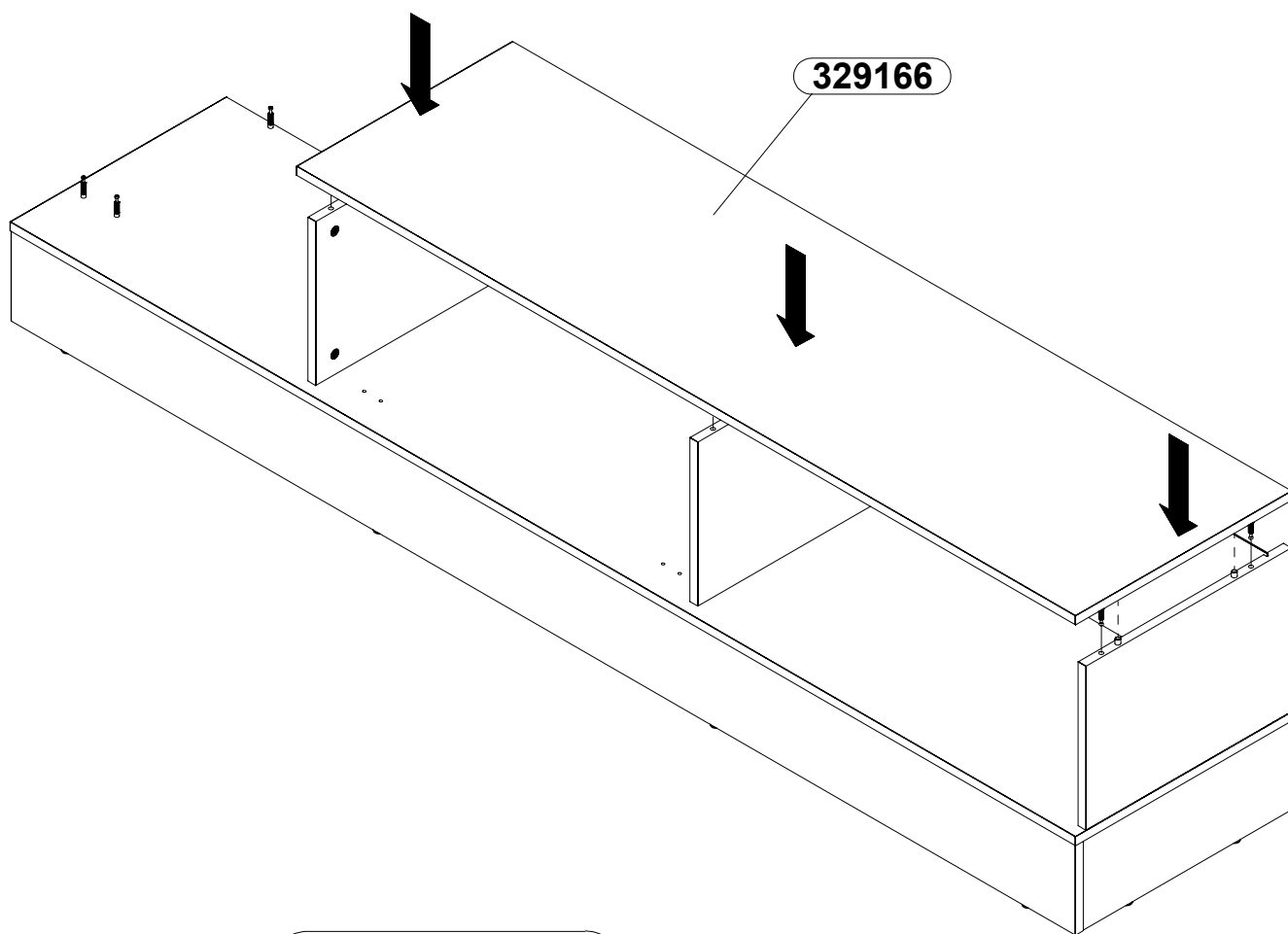
13



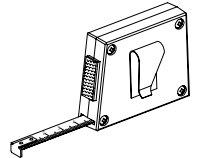
14



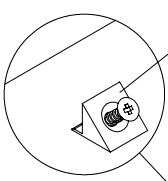
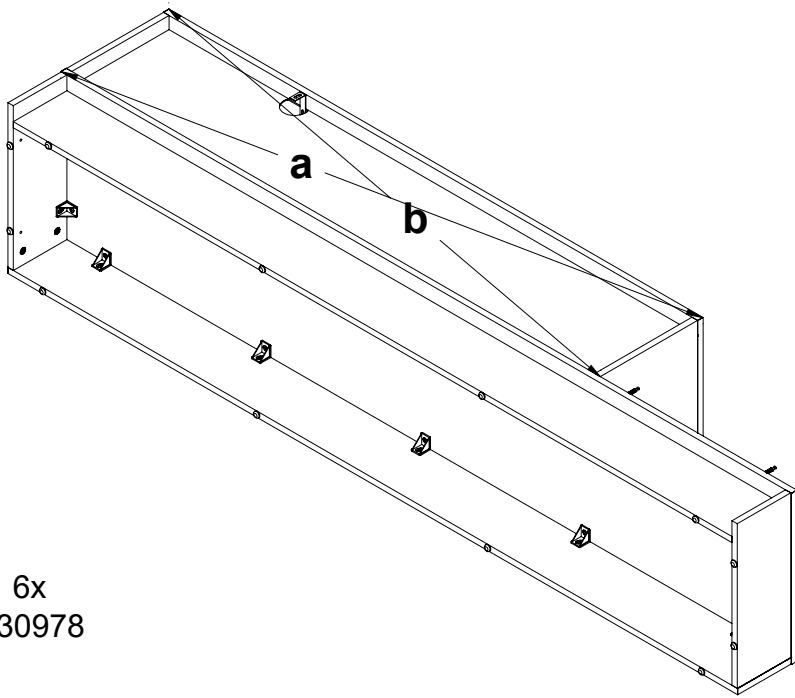
15



16

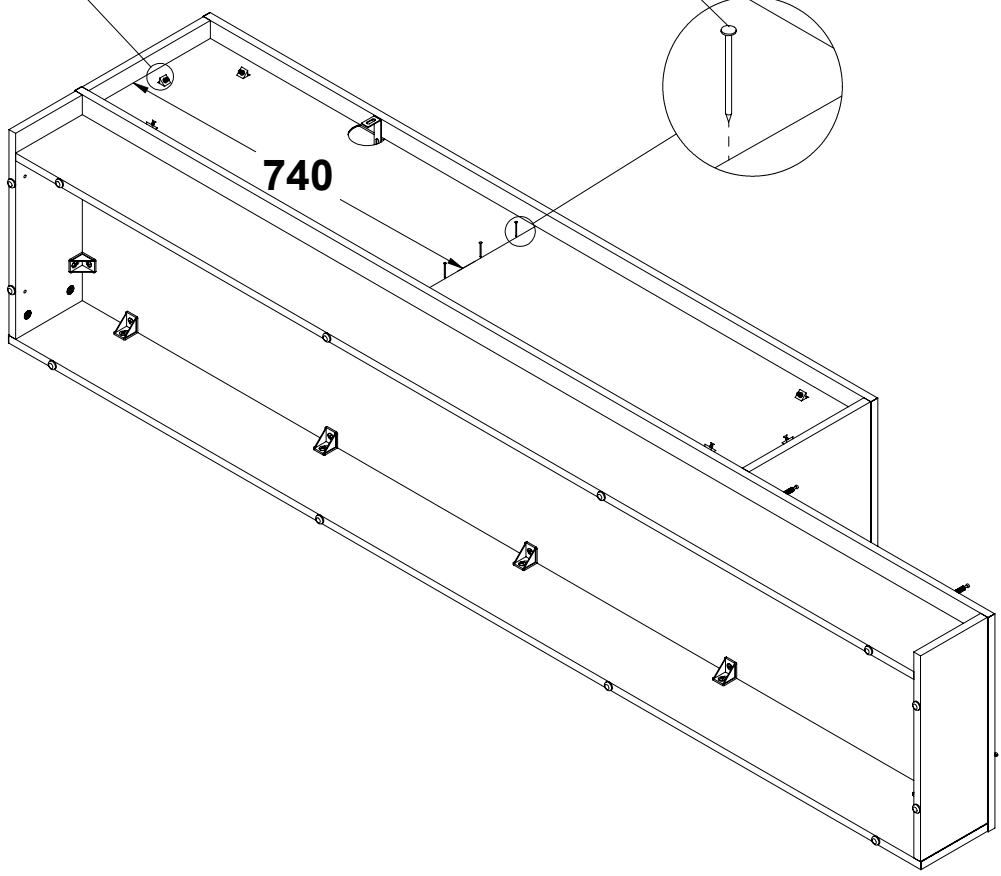


a = b

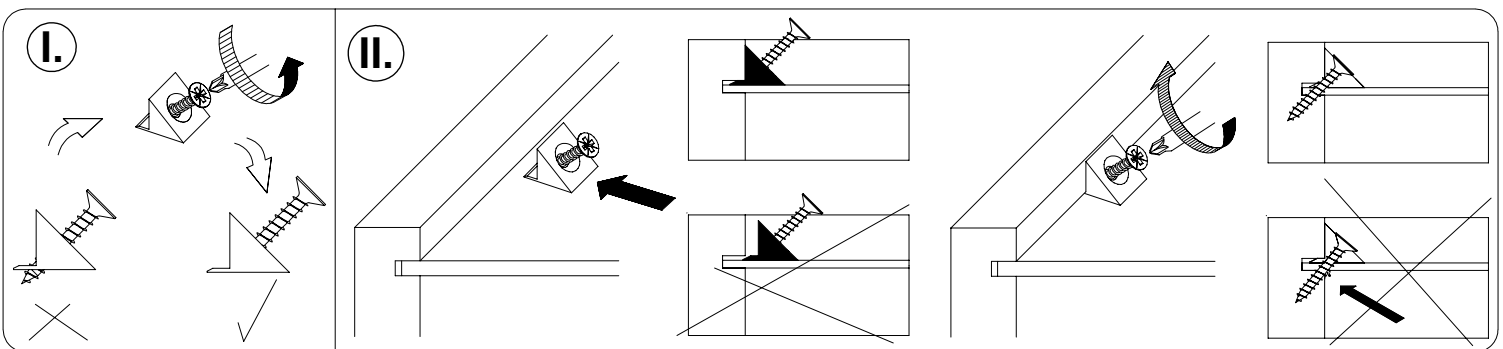


6x
S30978

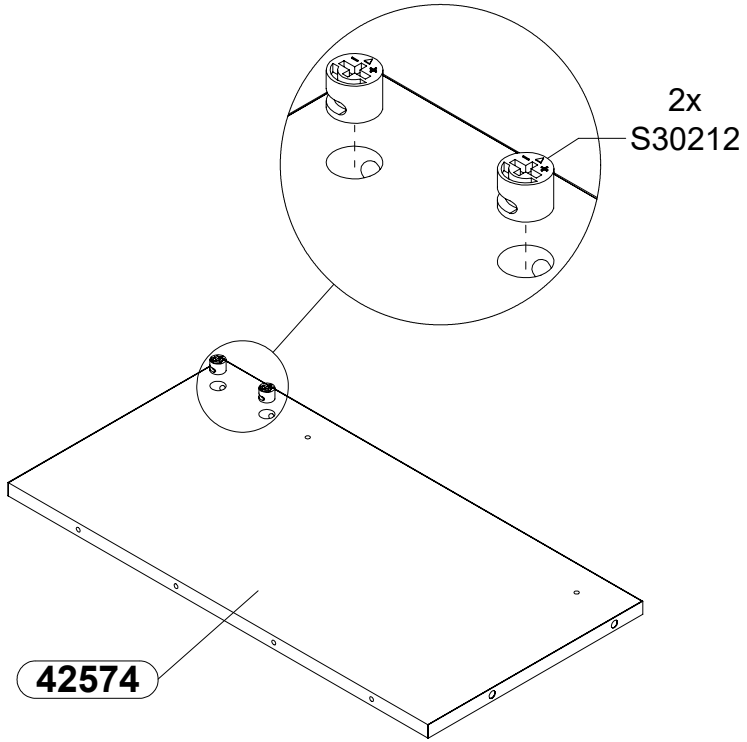
3x
S31299



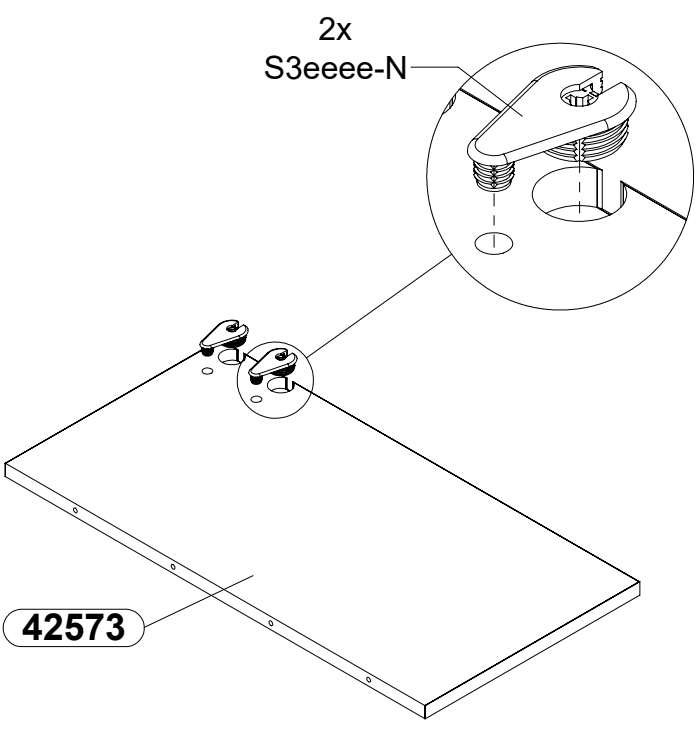
740



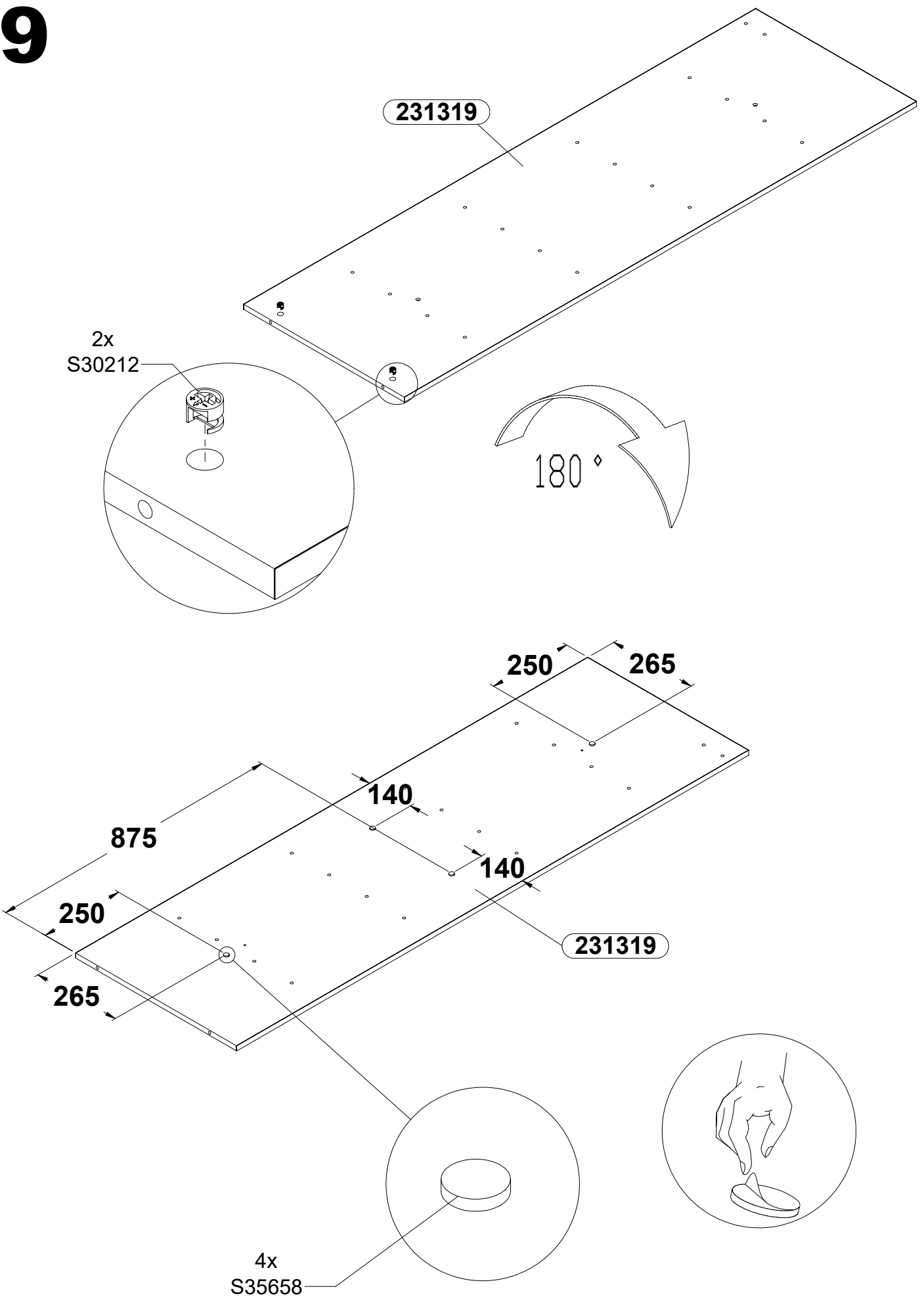
17

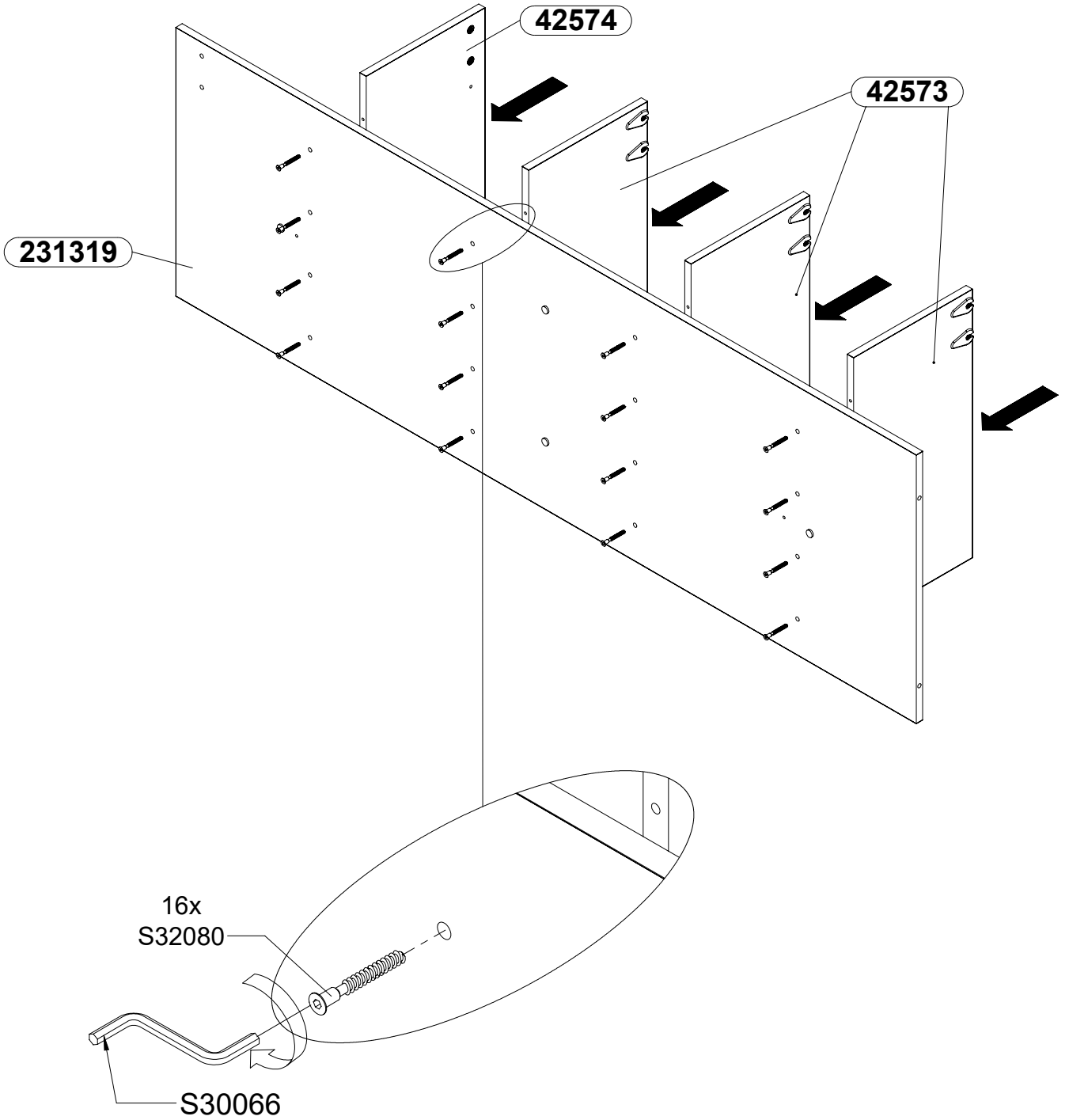


18x3

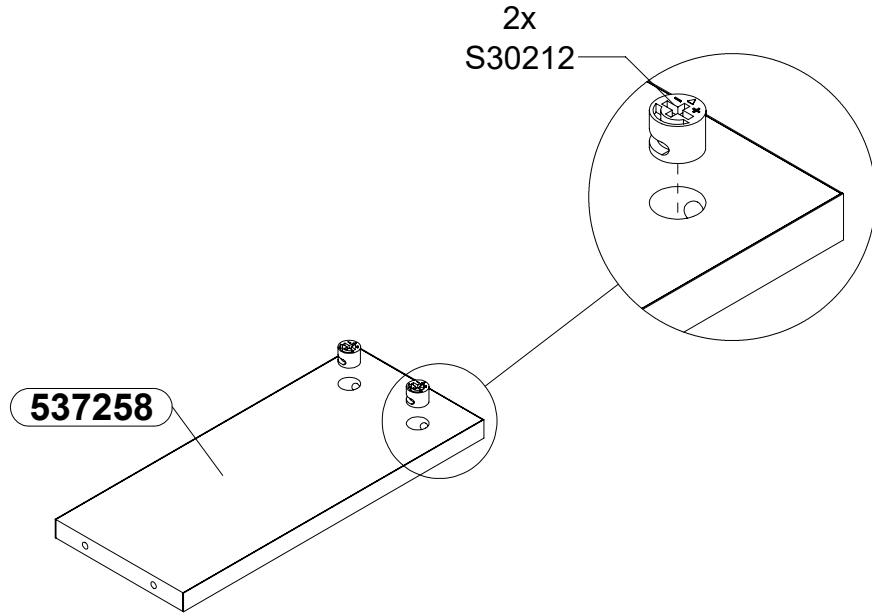


19

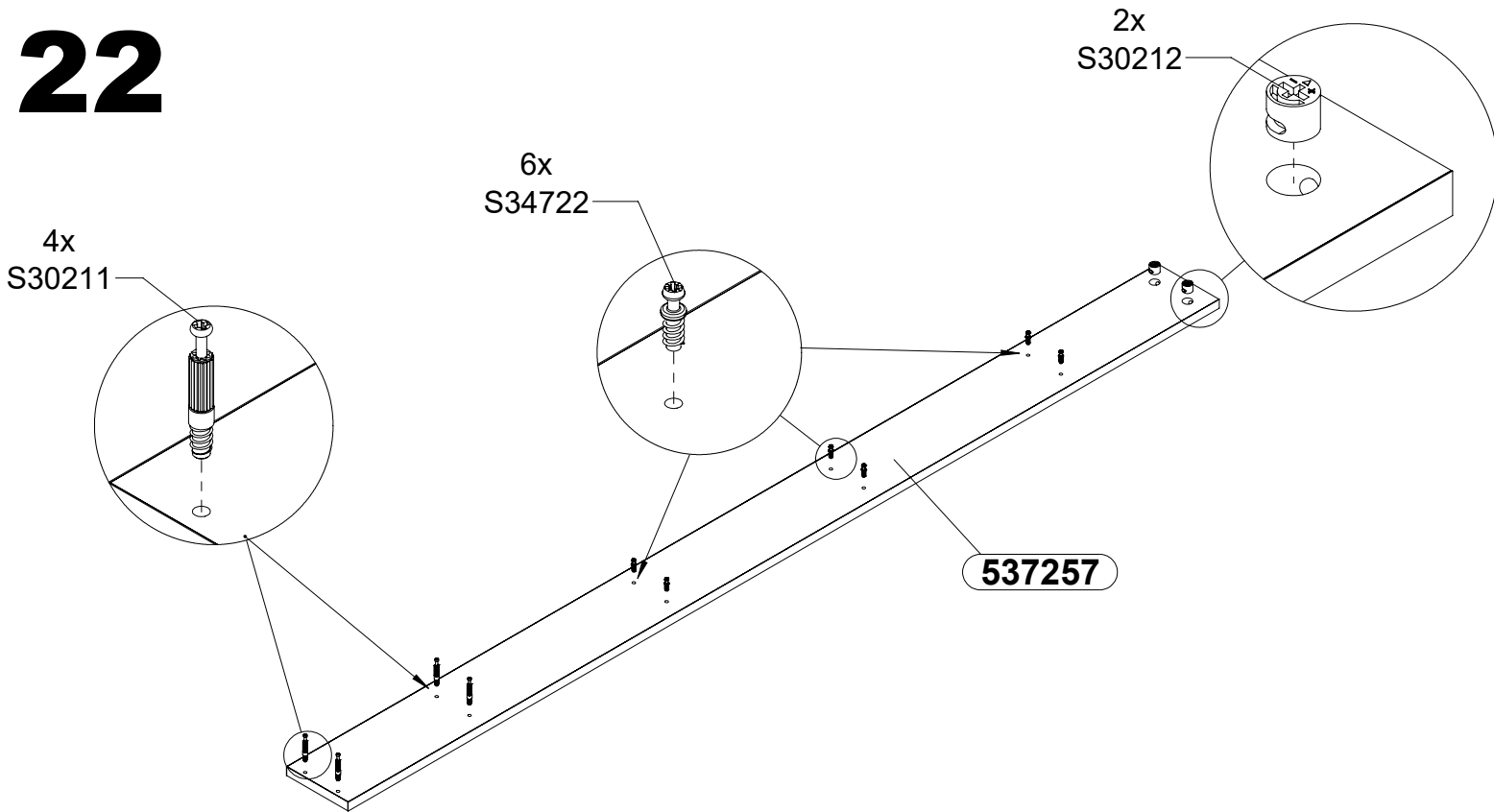




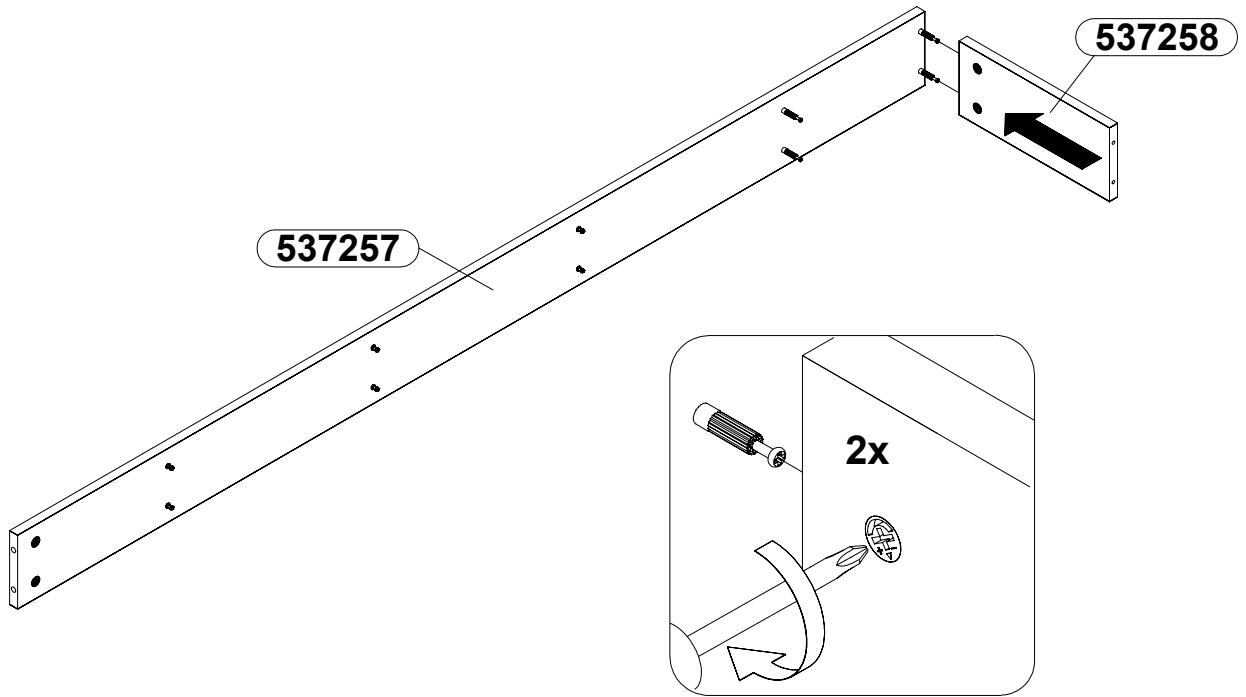
21



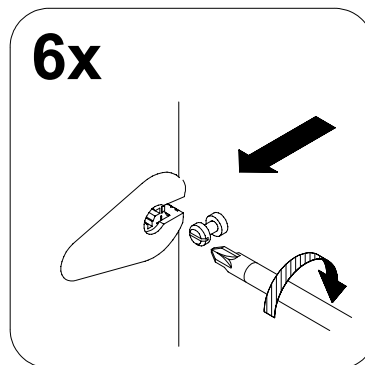
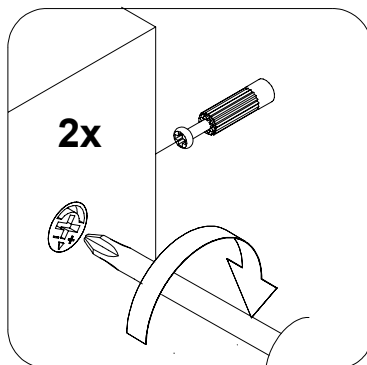
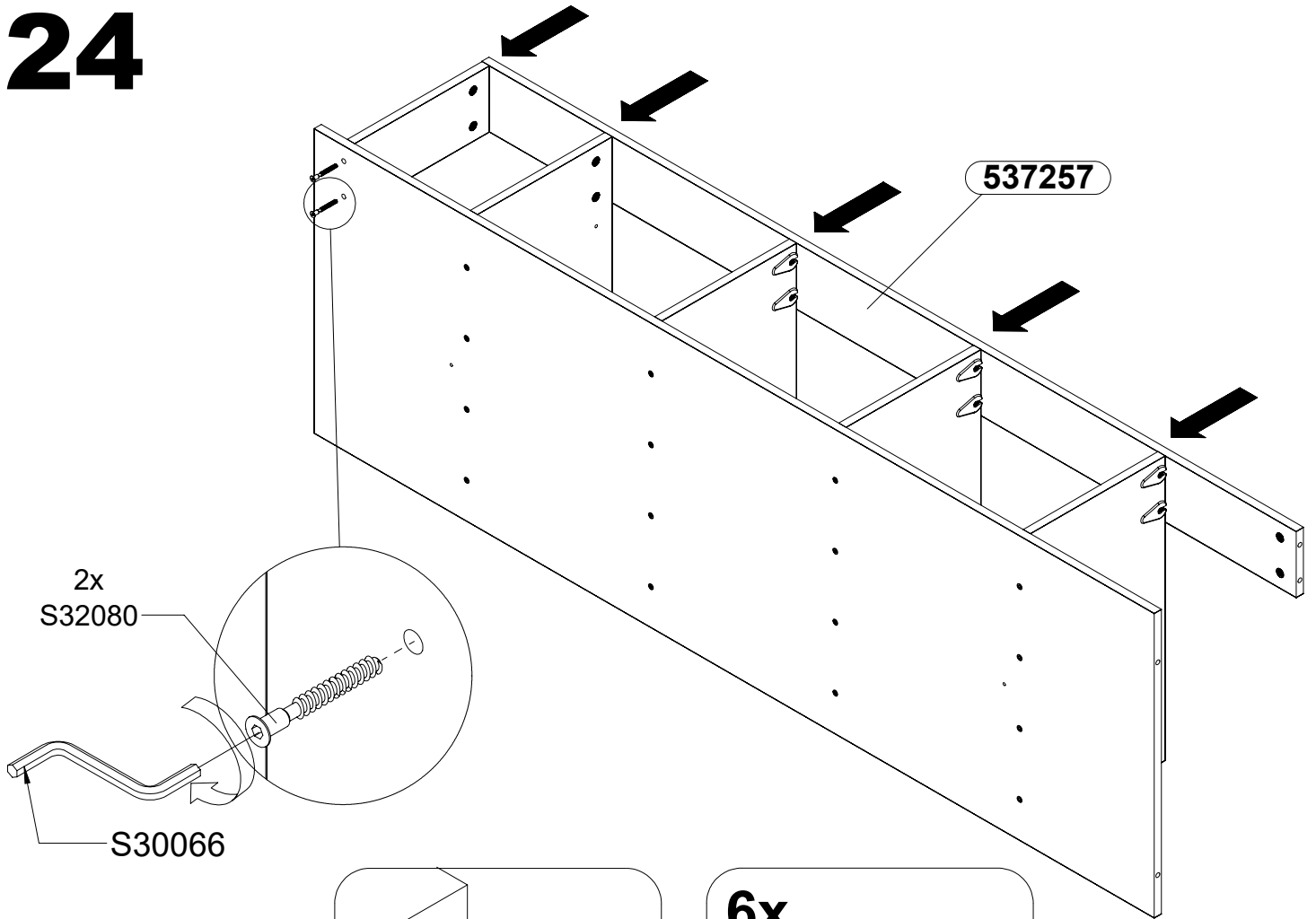
22



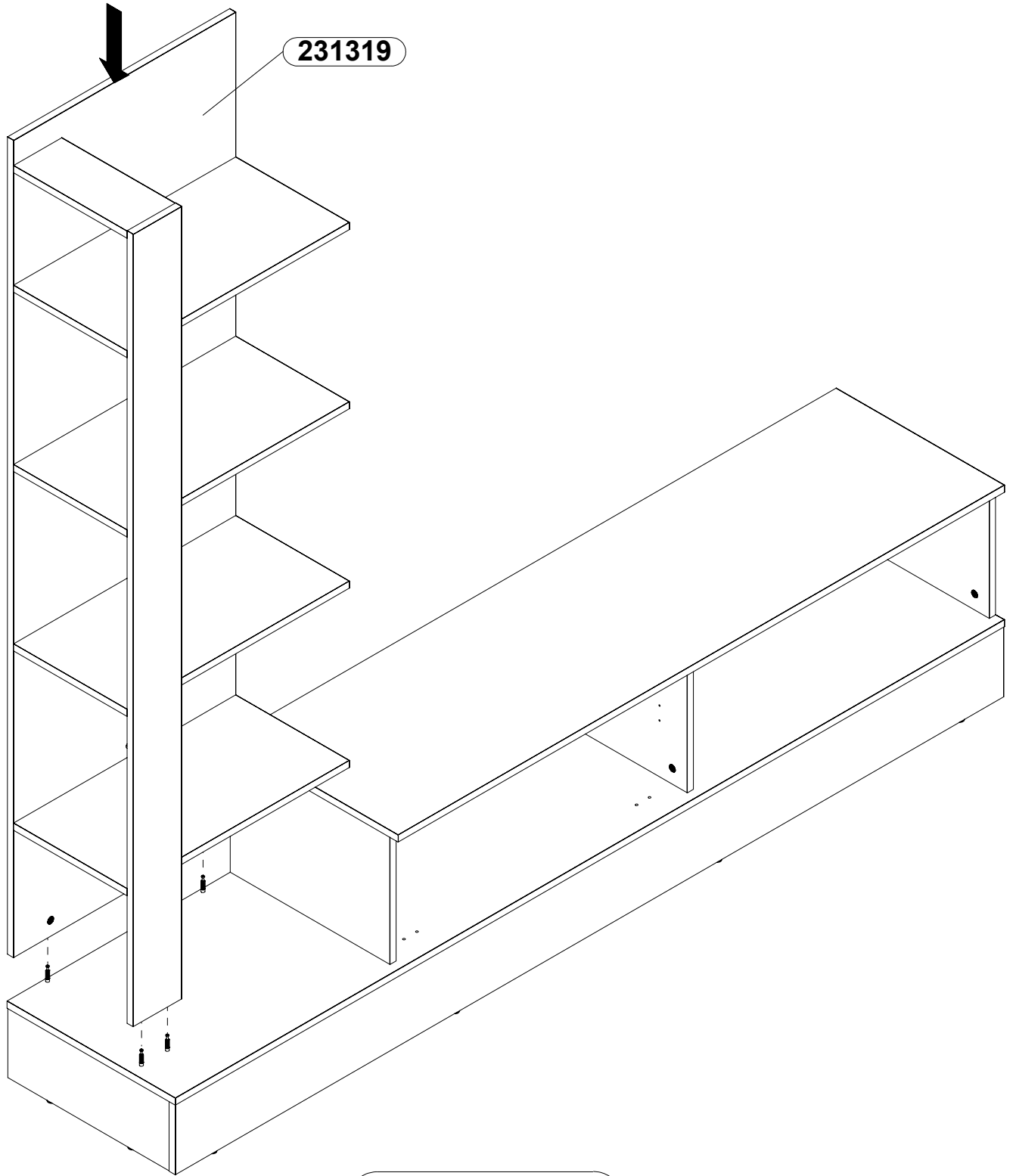
23



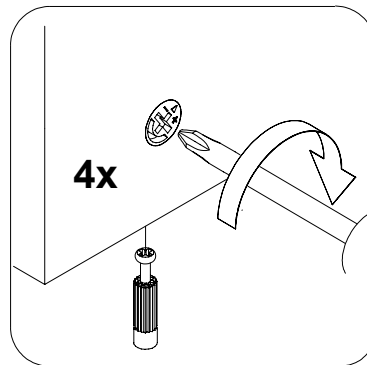
24



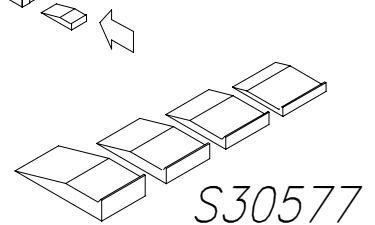
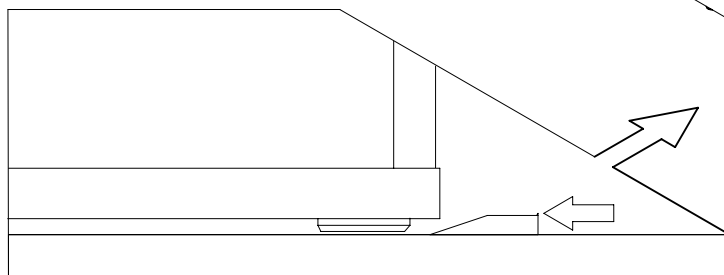
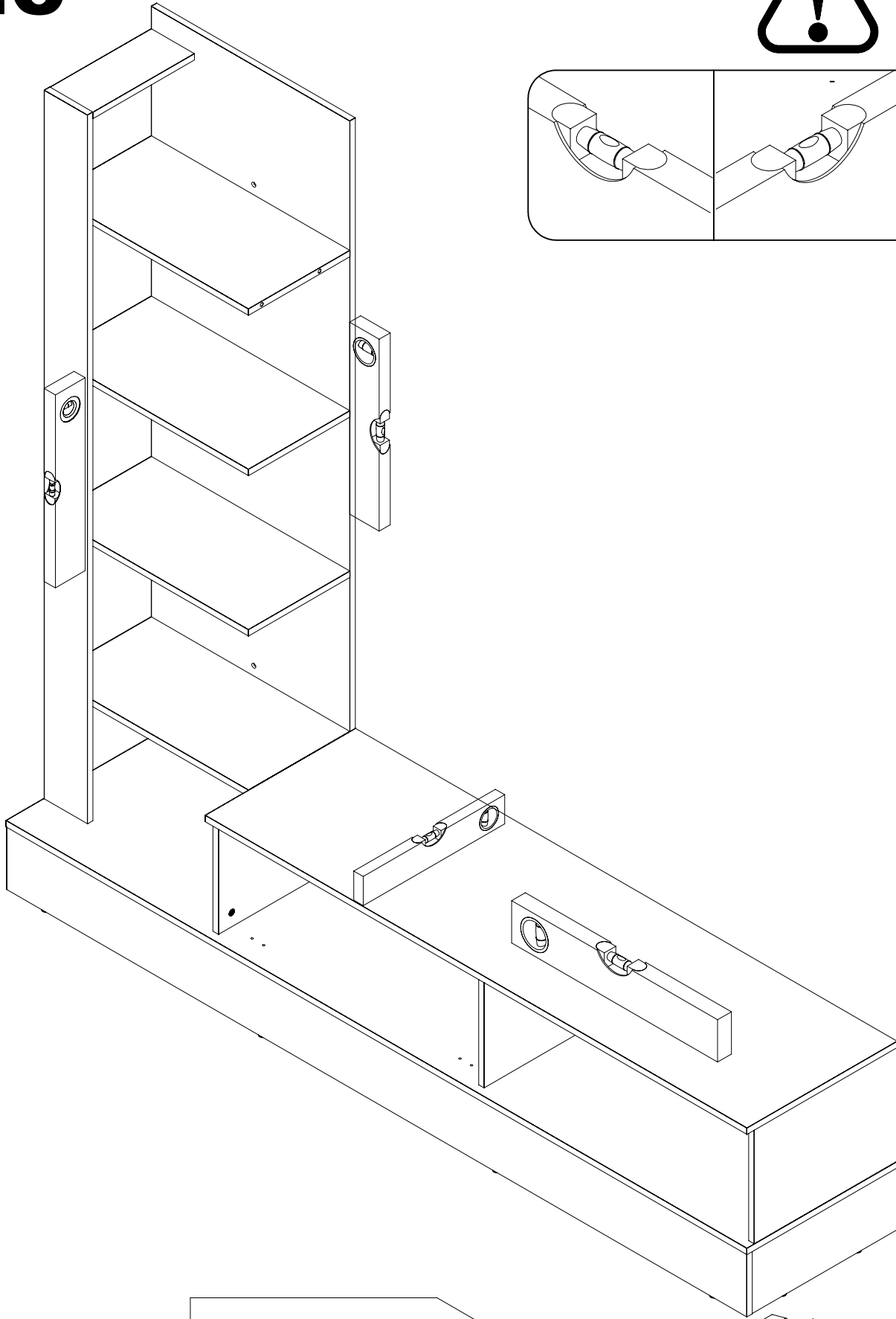
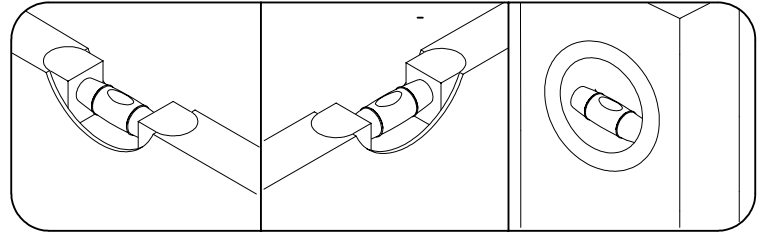
25

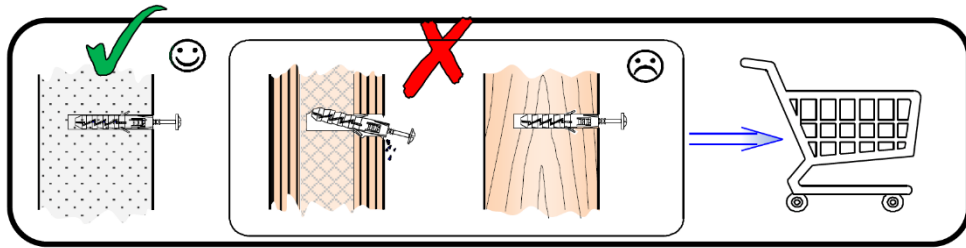


231319



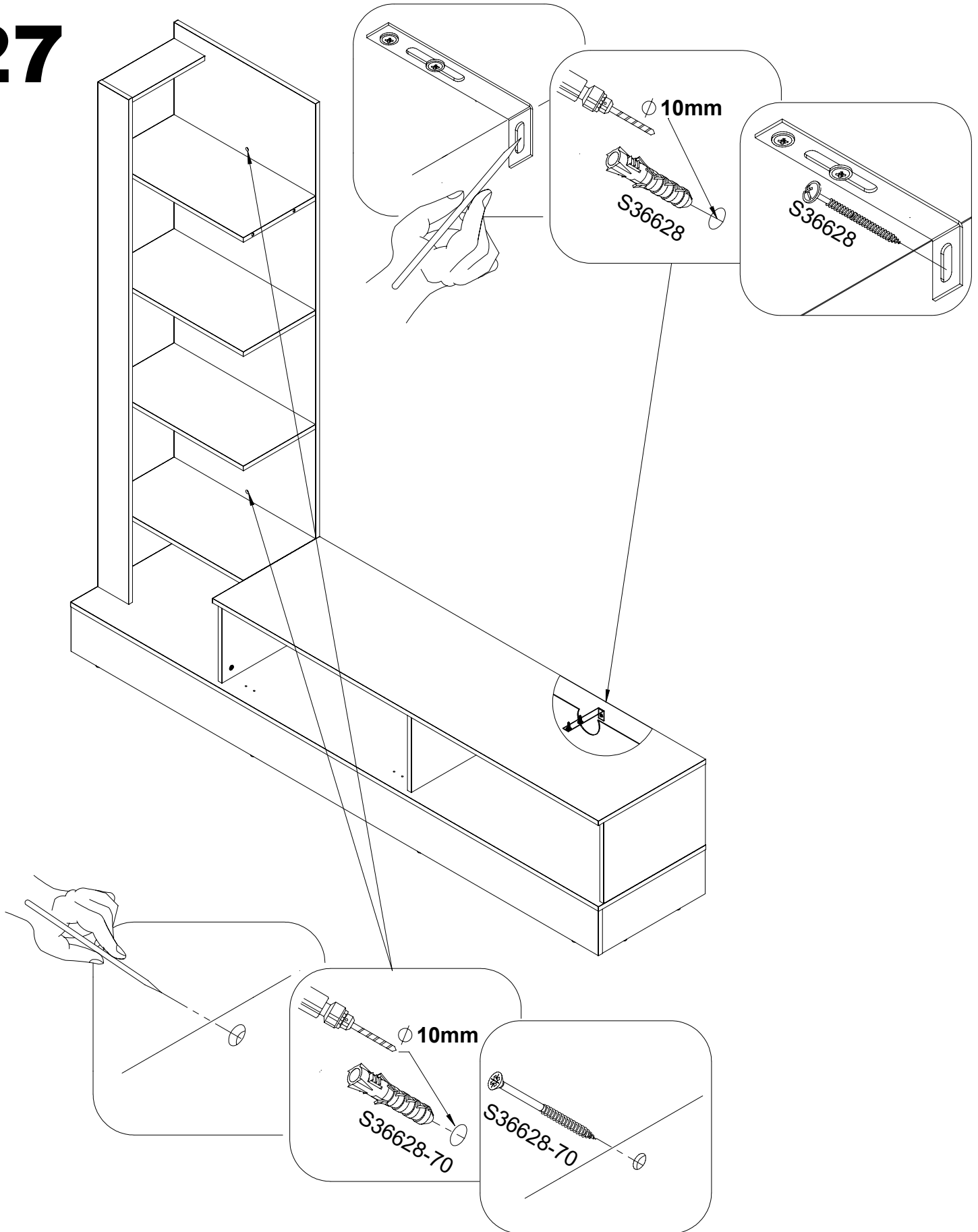
26



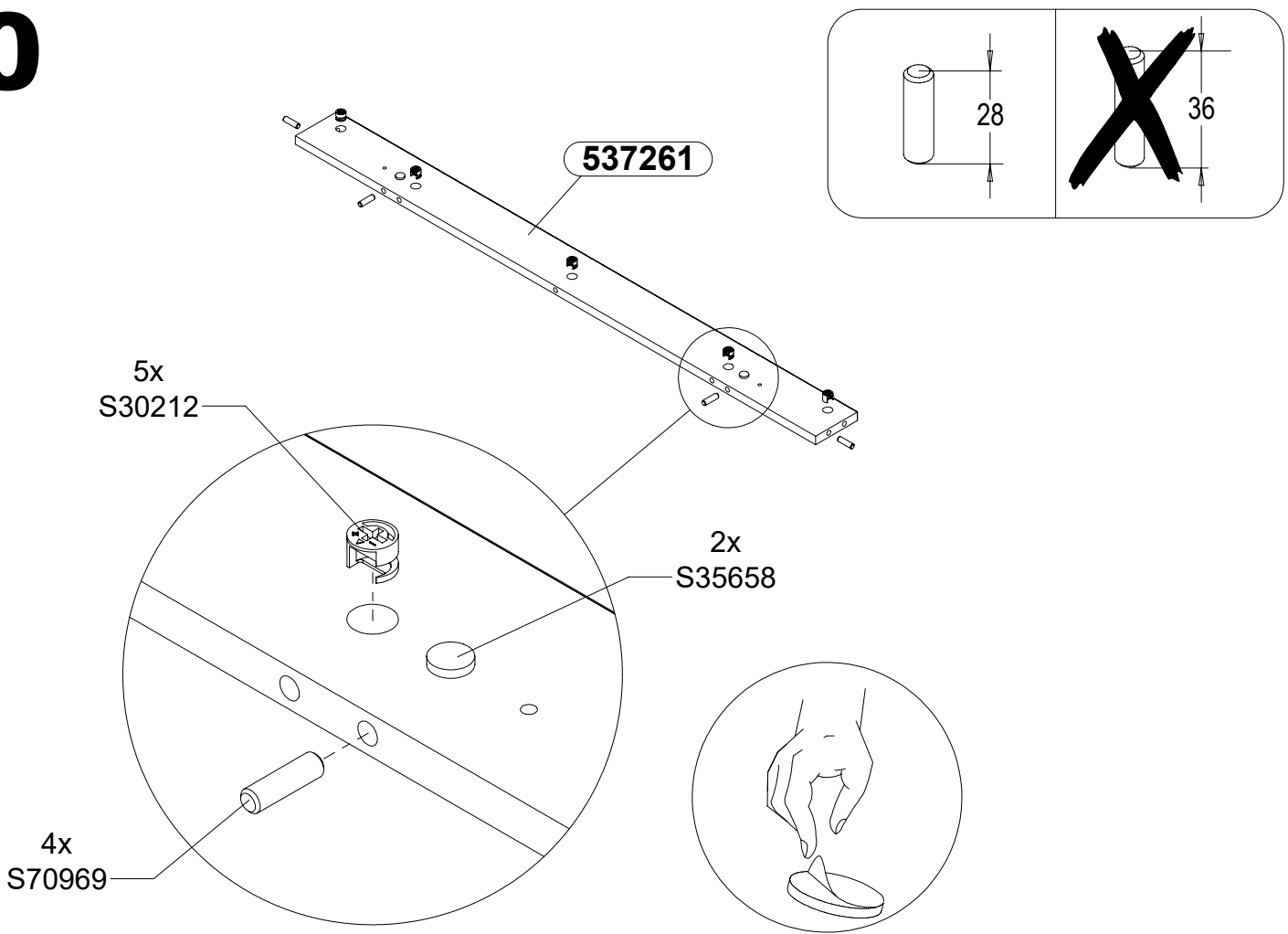


-EN- Before suspending or fixing furniture to the wall (in order to prevent falling over), check the type and strength of the wall. Select wall plugs and screws appropriate for the given type of the wall. In the case of doubts, contact a specialist. The installation must be performed by a competent person. **WARNING!!! If the rawlplugs with screws are attached to the product, then they are intended only for walls made of solid and homogeneous materials.**

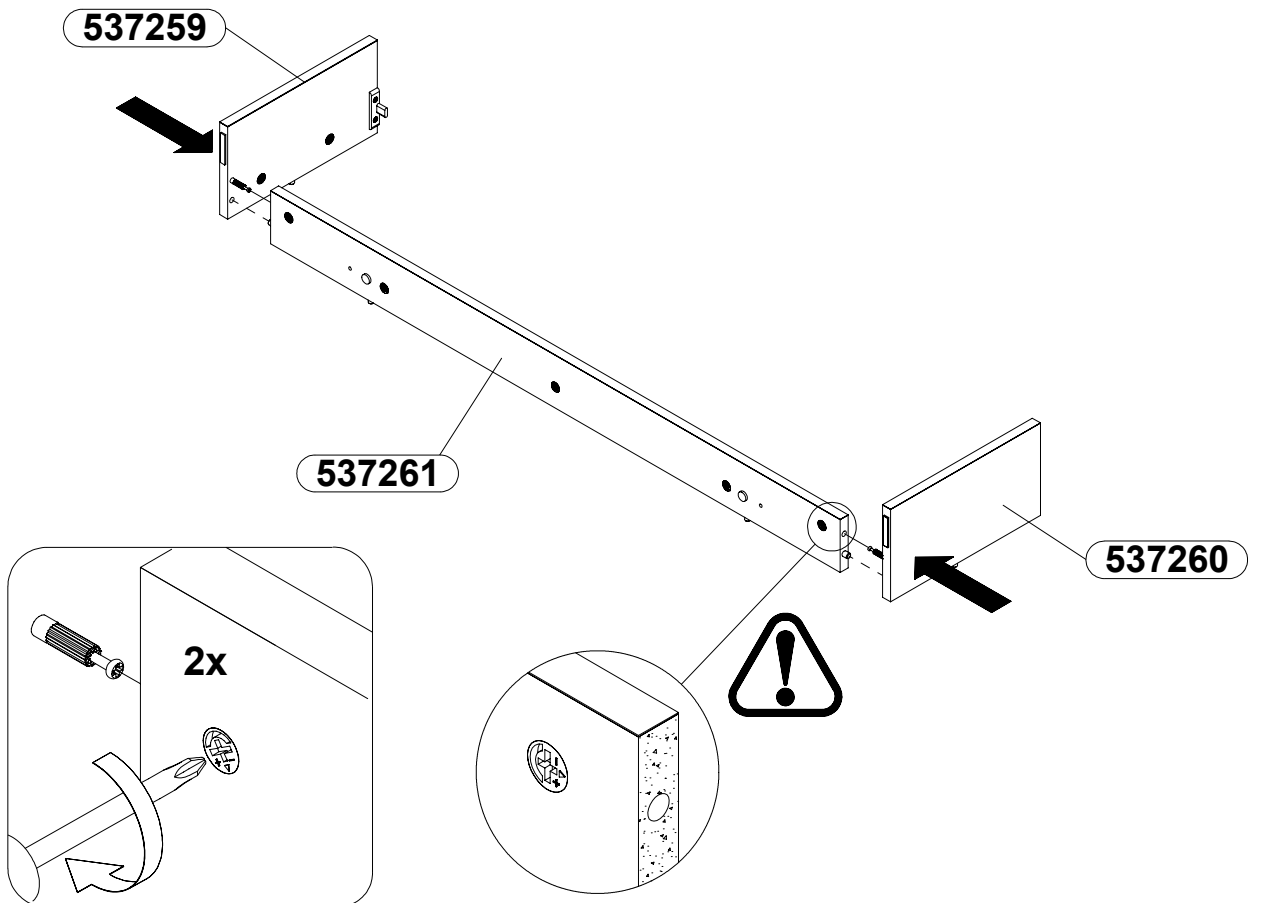
27



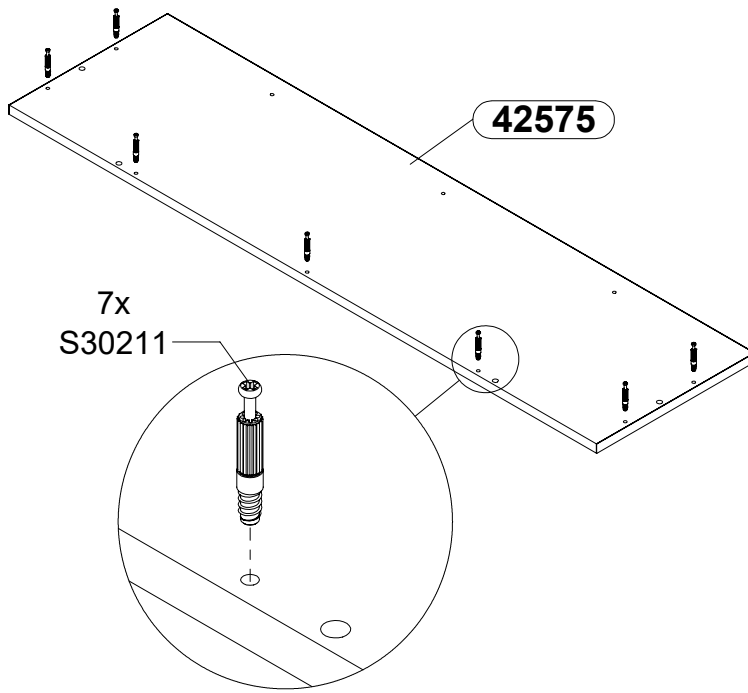
30



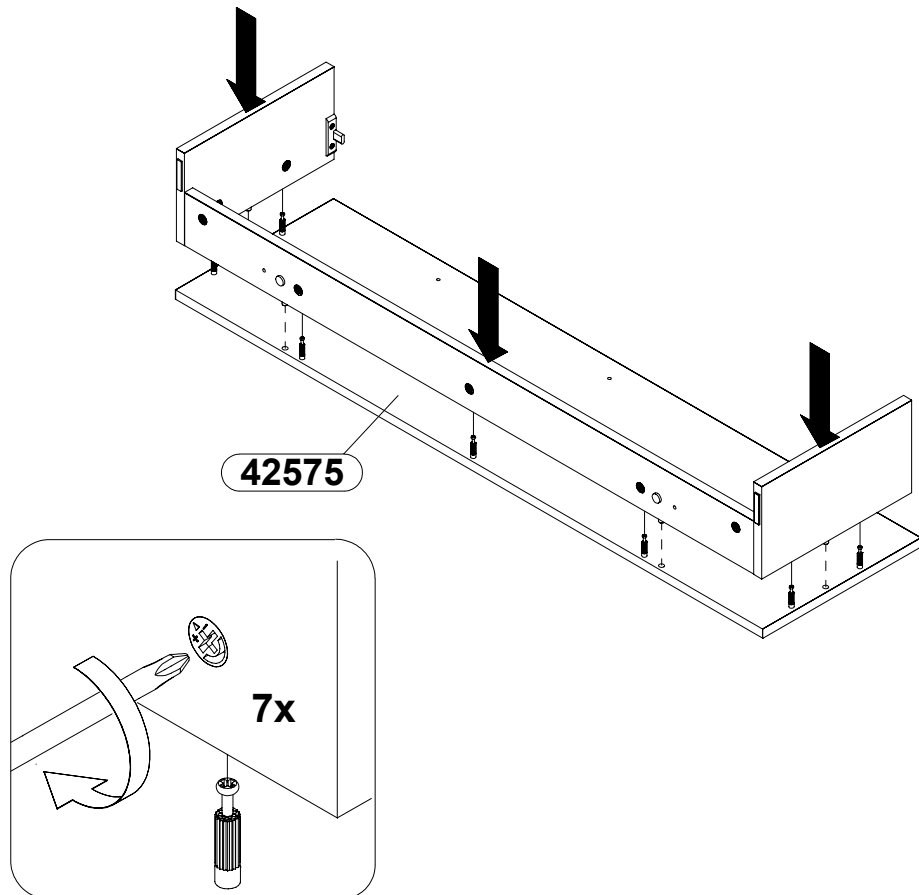
31

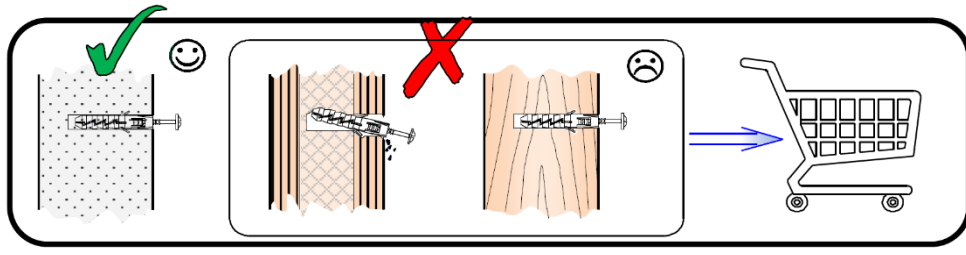


32

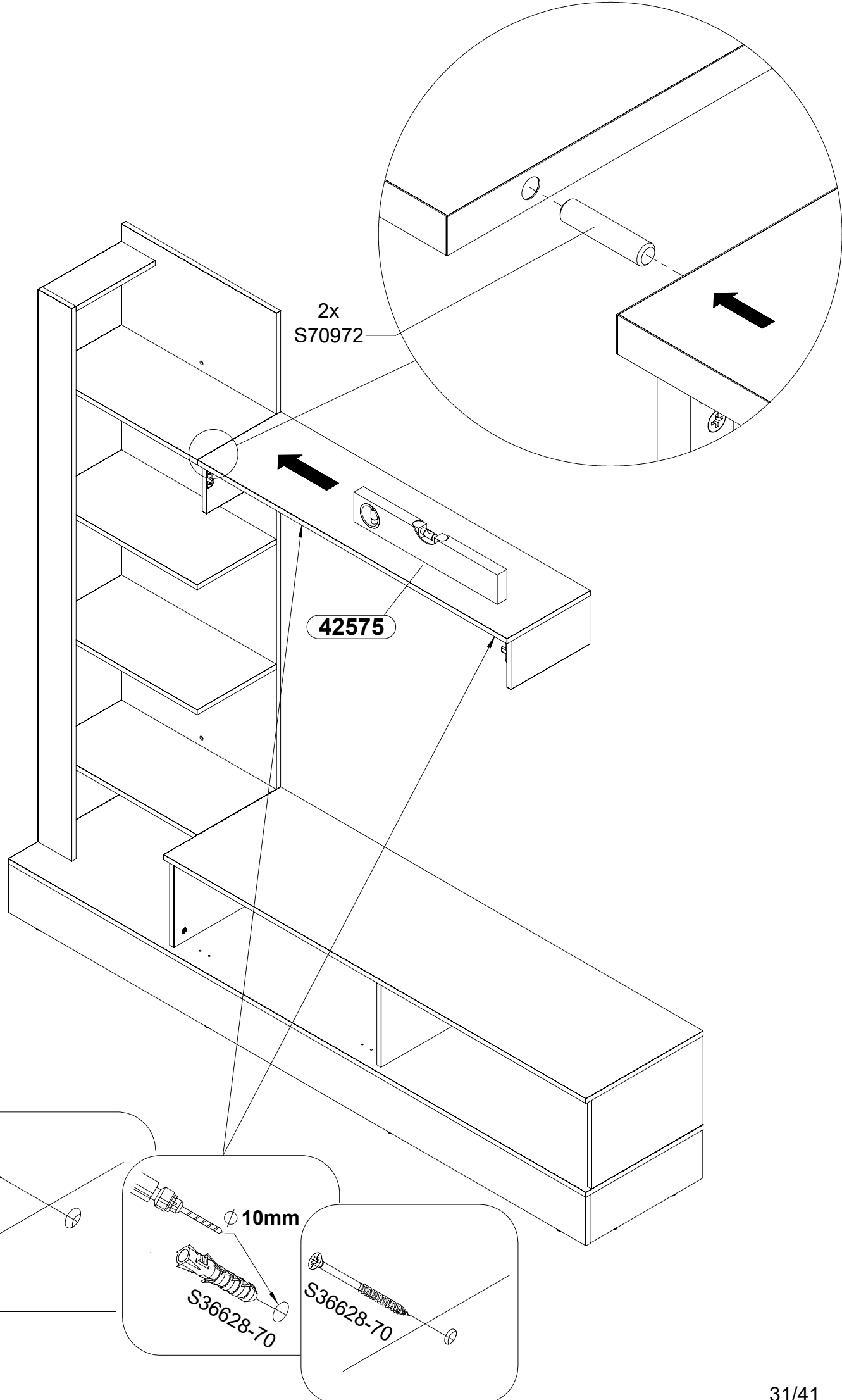


33

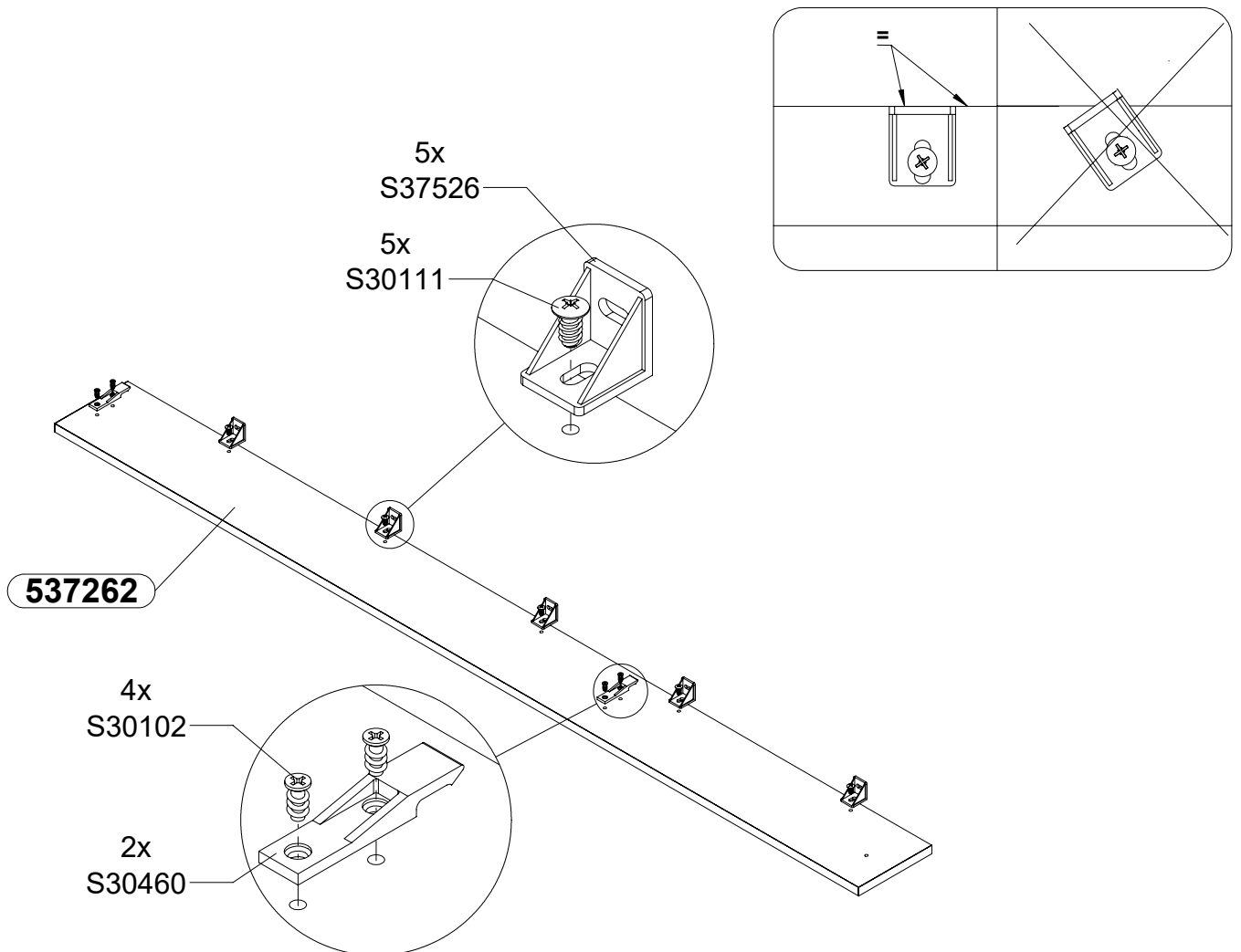
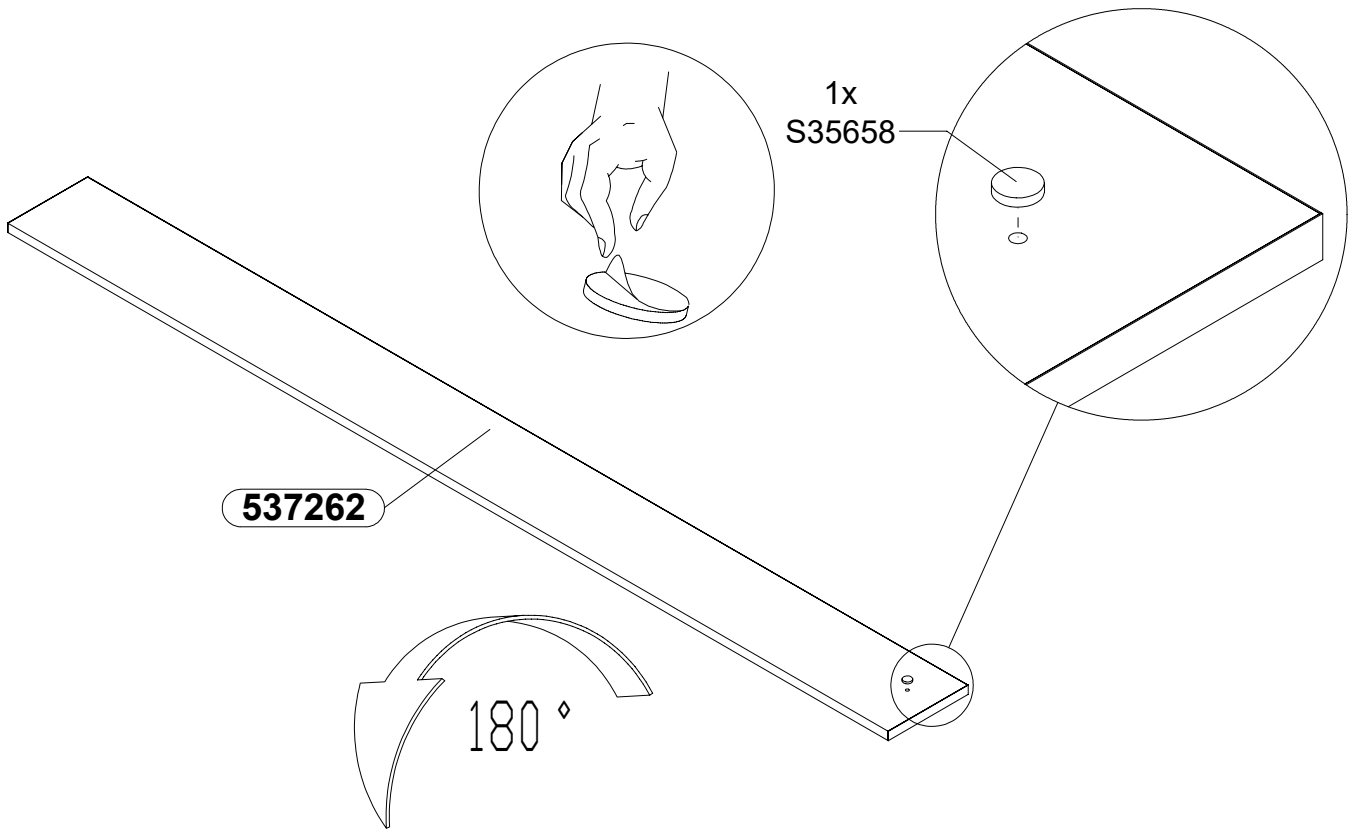




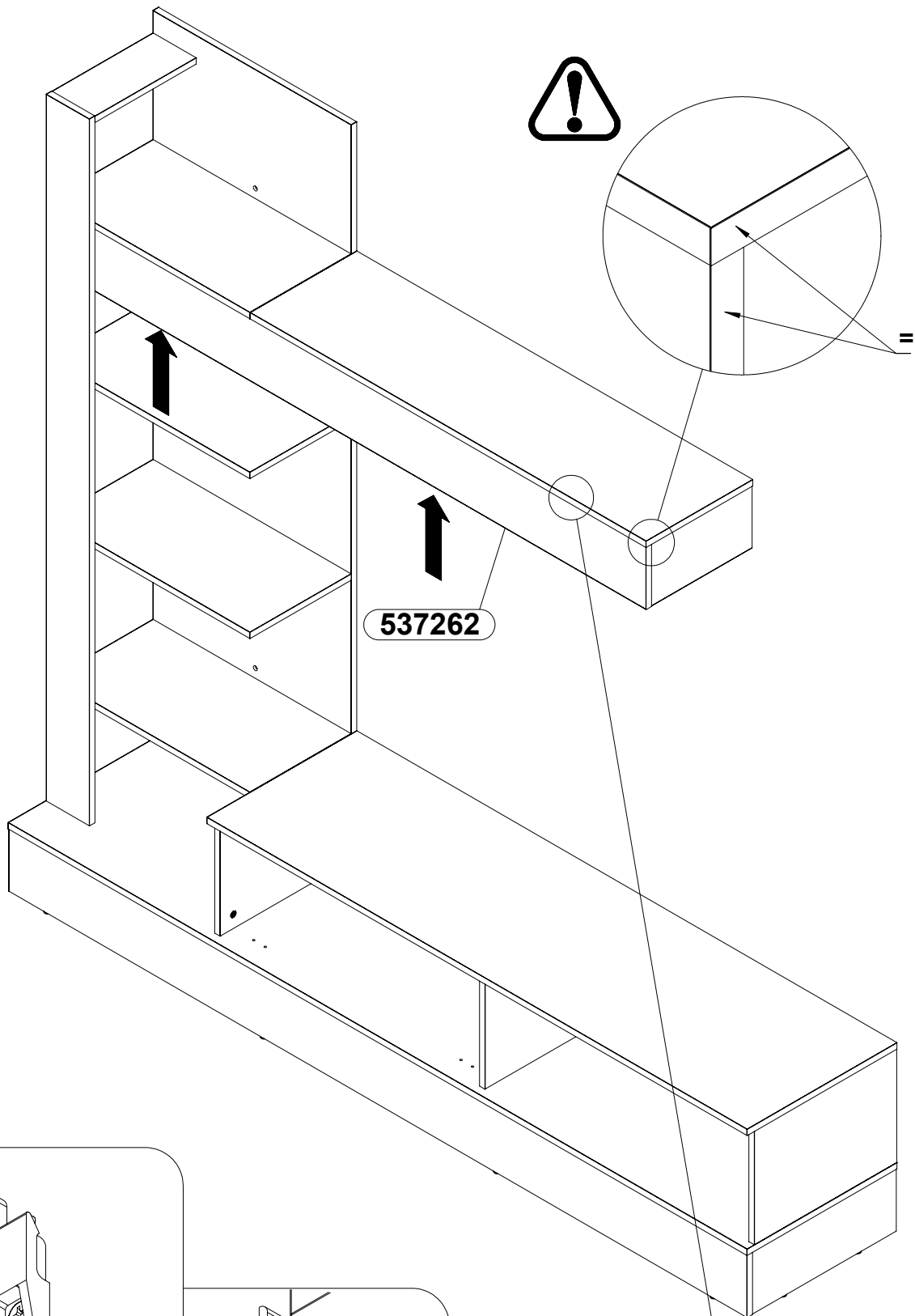
-EN- Before suspending or fixing furniture to the wall (in order to prevent falling over), check the type and strength of the wall. Select wall plugs and screws appropriate for the given type of the wall. In the case of doubts, contact a specialist. The installation must be performed by a competent person. **WARNING!!! If the rawlplugs with screws are attached to the product, then they are intended only for walls made of solid and homogeneous materials**



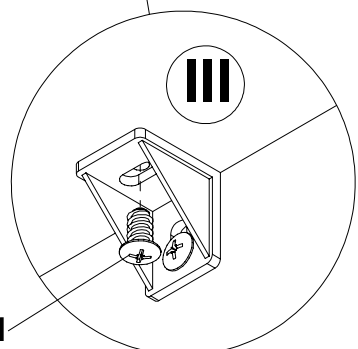
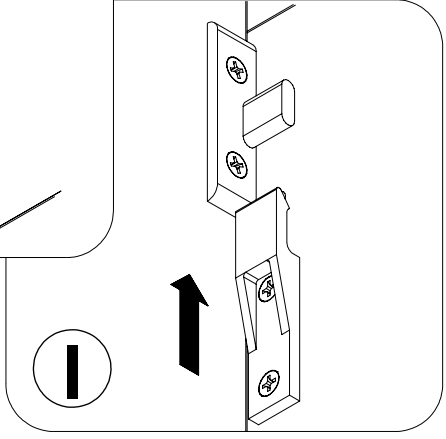
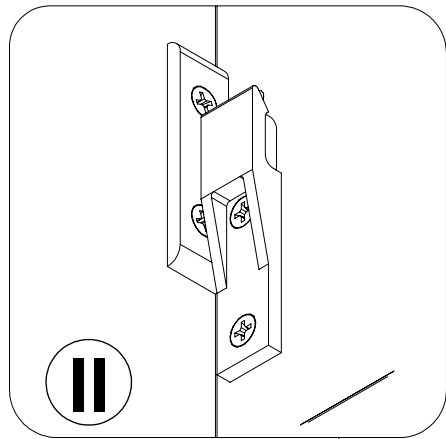
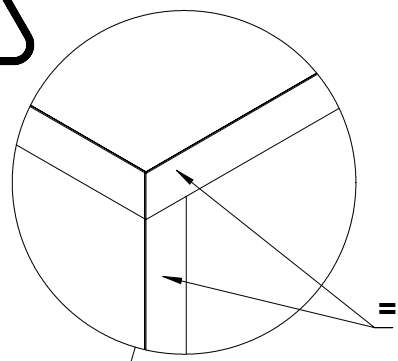
35



36

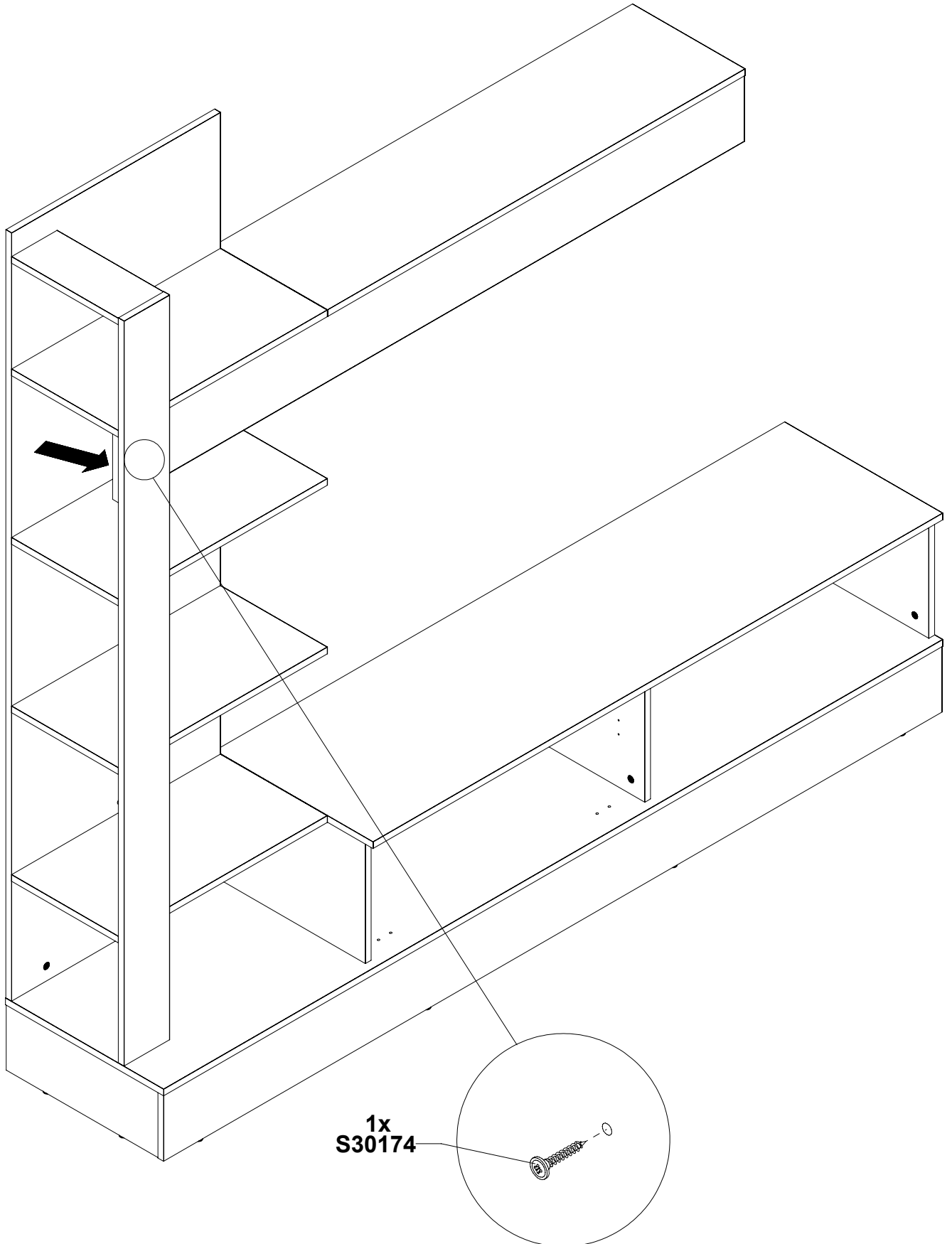


537262

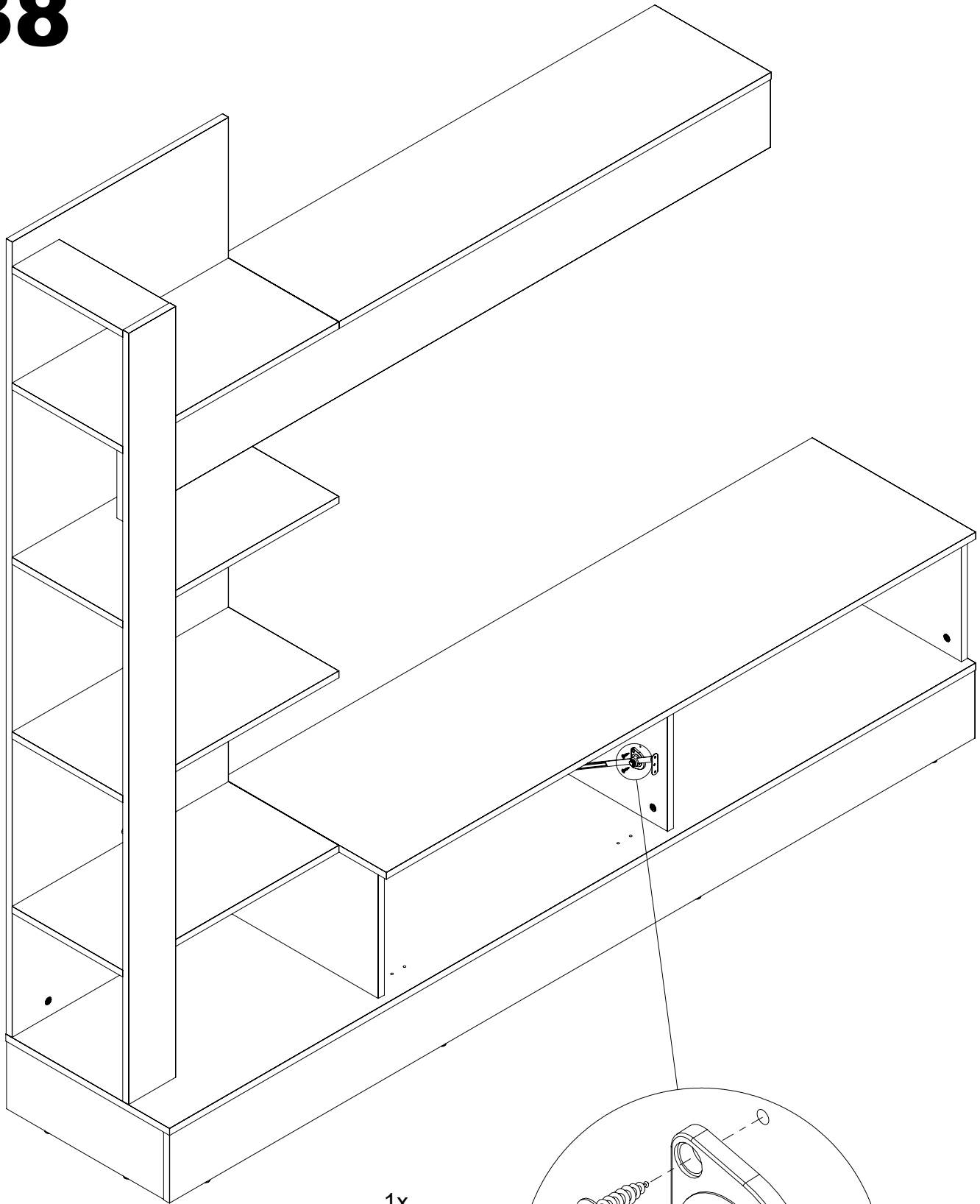


5x
S30111

37



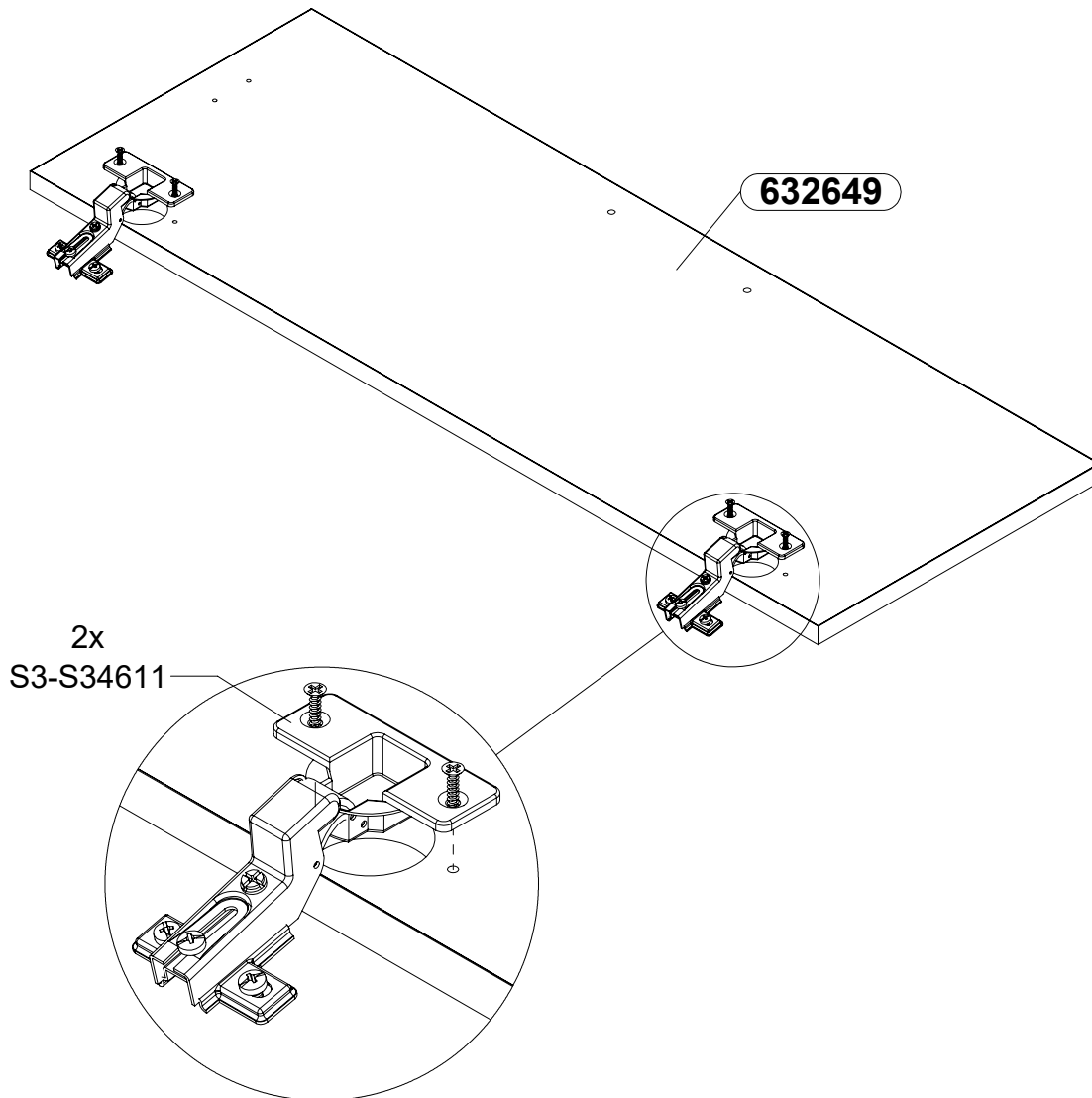
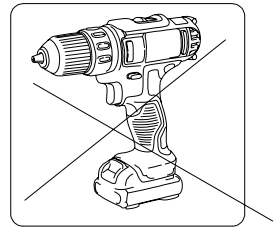
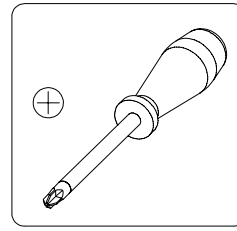
38



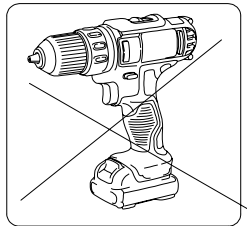
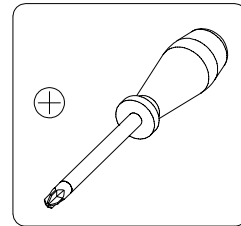
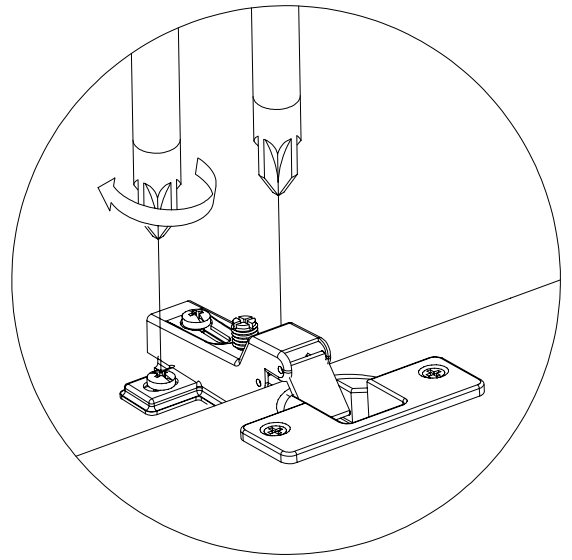
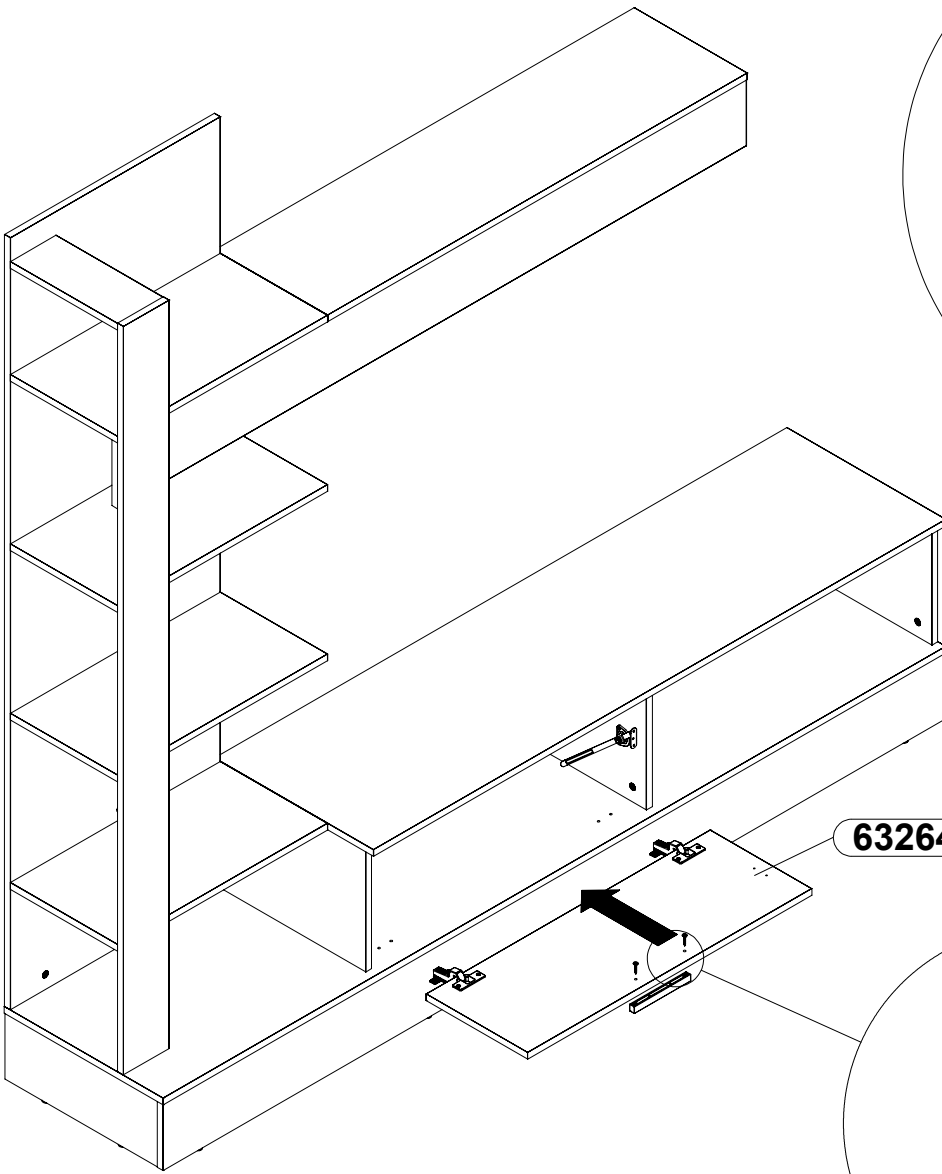
1x
S38121

2x
S30106

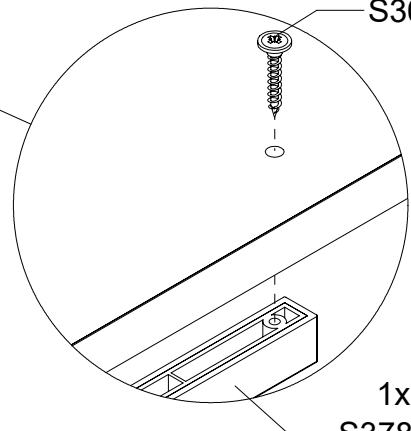
39



40

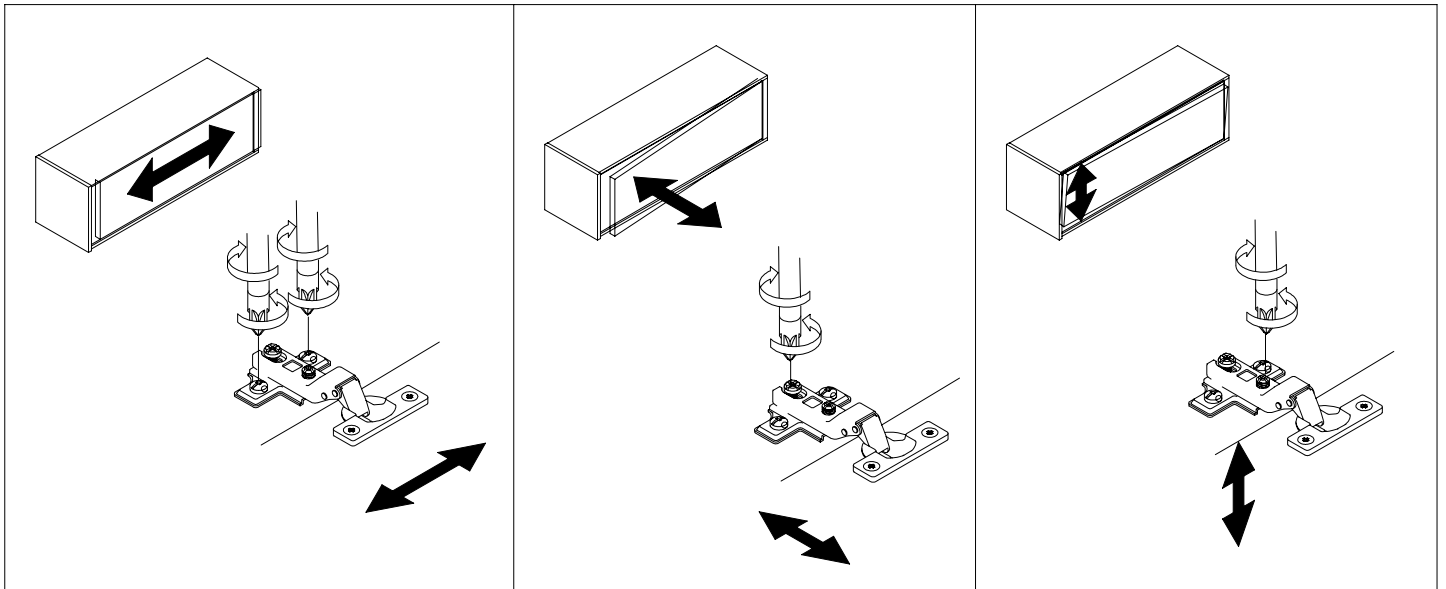


632649

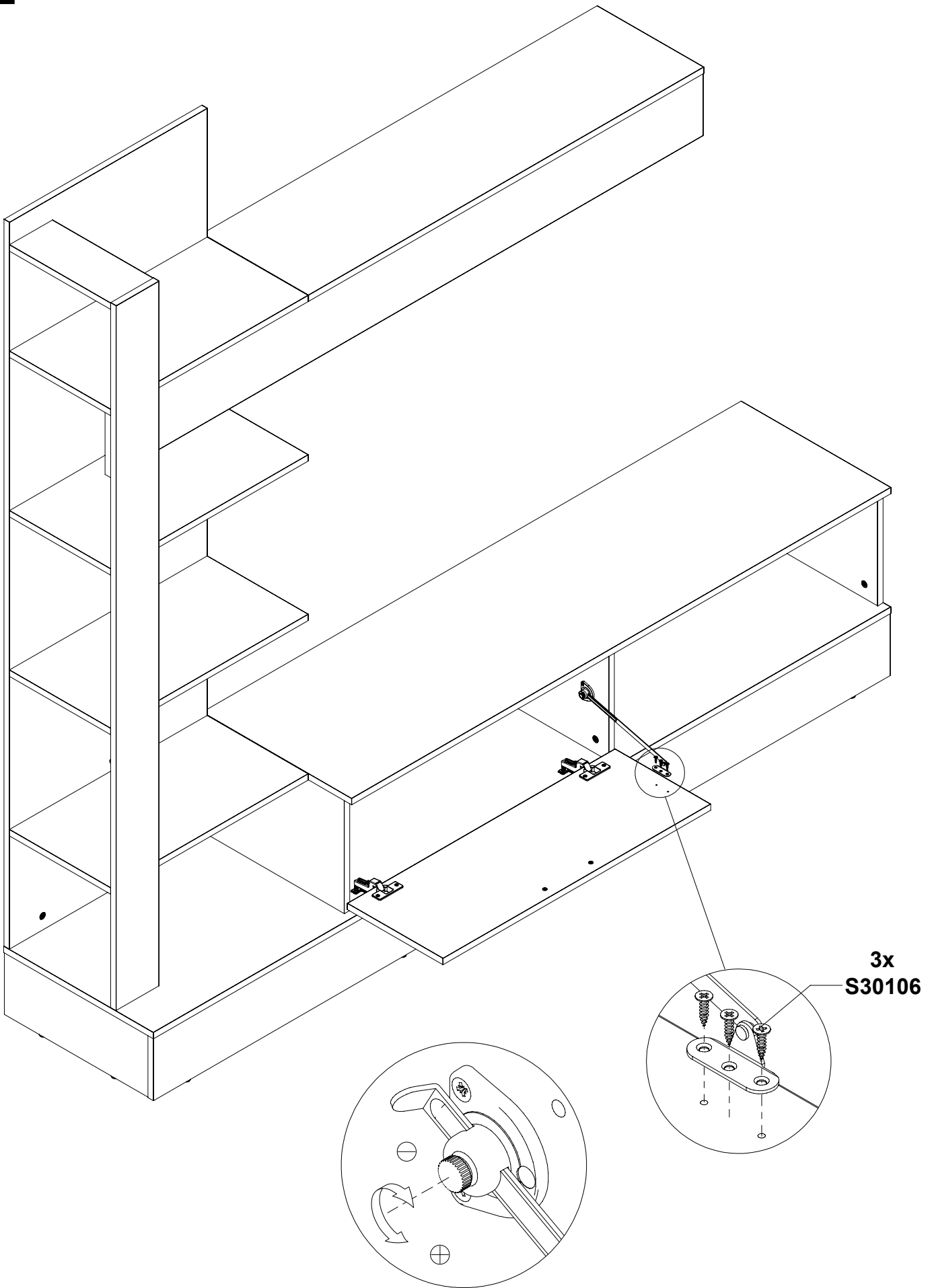


2x
S30174

1x
S37890

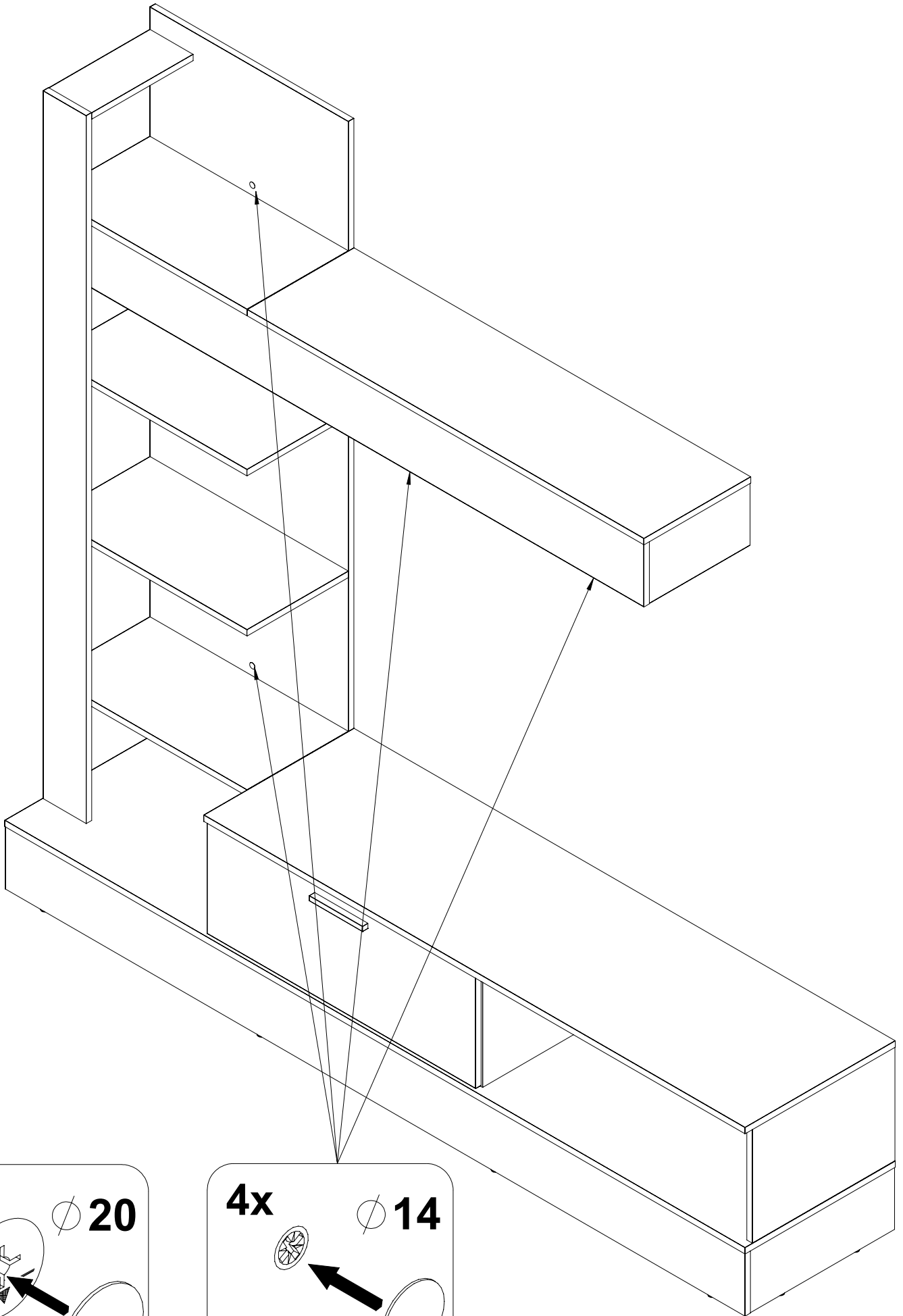


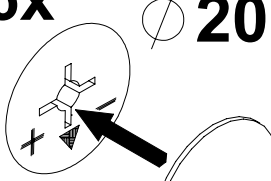
41

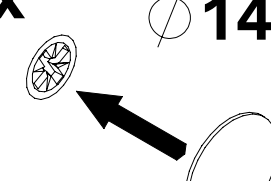


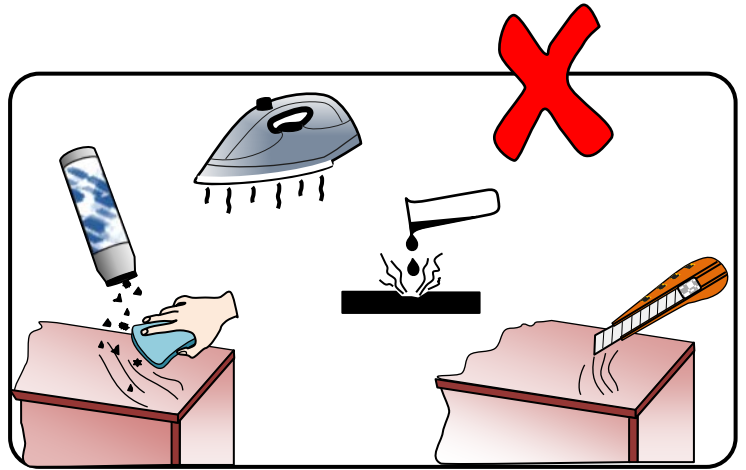
3x
S30106

42



16x \varnothing **20**

S3iiii

4x \varnothing **14**

S3gggg



- EN- GUIDELINES FOR FURNITURE CARE

Please follow the below specified remarks in order to properly take care of your furniture:

A clean dry soft fabric must be used for cleaning. If the furniture requires thorough cleaning, then you can slightly moistened it with water or cleaning agent designed for furniture cleaning, and subsequently the cleaned elements must be wiped until they're dry. Metal and glass parts must be cleaned using commercially available cleaning agents designed for cleaning of this type of materials, in accordance with the included instructions.

Do not use corrosive agents, scouring agents and other agents if their intended use is unknown.

The cleaning agents must have clear marking that they are intended for cleaning furniture.

WARNING!!! High gloss elements, from which the protective foil was removed, may be cleaned and used only after 72 hours.

