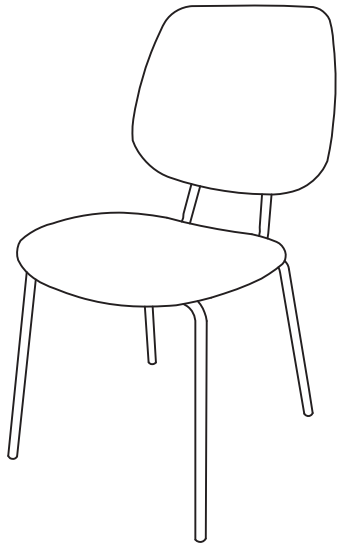
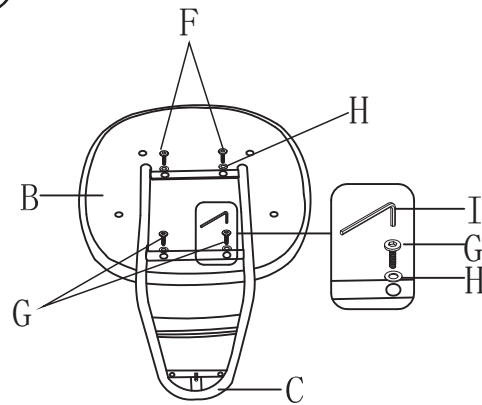


ASSEMBLY INSTRUCTION

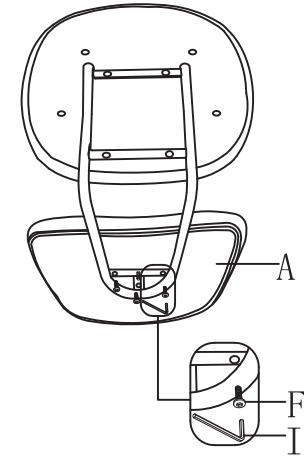
264-000007



①

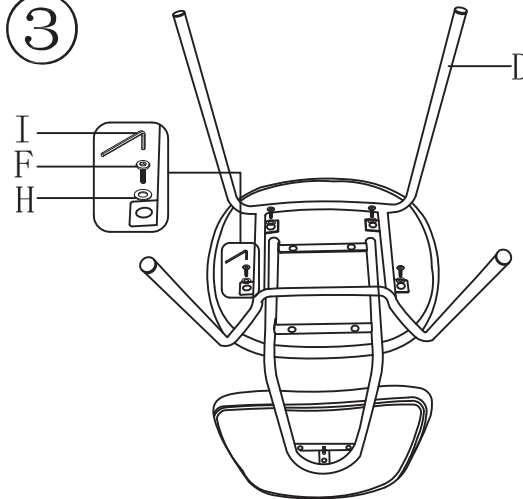


②



A		×1	F	 M6X20MM	×9
B		×1	G	 M6X23MM	×2
C		×1	H		×8
D		×1	I		×1
E		×1			

③



④

