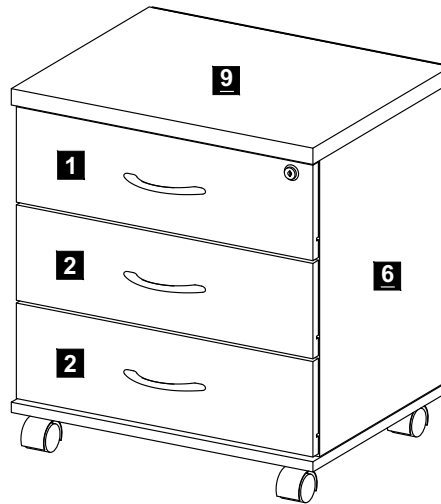


HARDWARE ITEM			QTY
A2		Screw m3.5 x 14mm	62
A6		Screw m4 x 25mm	6
A10		Screw m4 x 38mm	12
A16		Screw JCBCW m6 x 50mm	4
A34		Euro Screw m5 x 8mm	12
C7		3 Way Drawer Lock	1 Set
D4		Wood Dowel 6 x 25mm	6
F2		Mini Fix 15mm	10 Sets
H3		Handle 96mm	3
M5		Drawer Metal Slide 300mm	3 Sets
N1		Allen Key	1
N3		Nail	24 (+-3)
R2		Single Plastic Cap	12
W1		Plate Caster Wheel P40	1 Set

**COMPLETE**



**CAUTION**

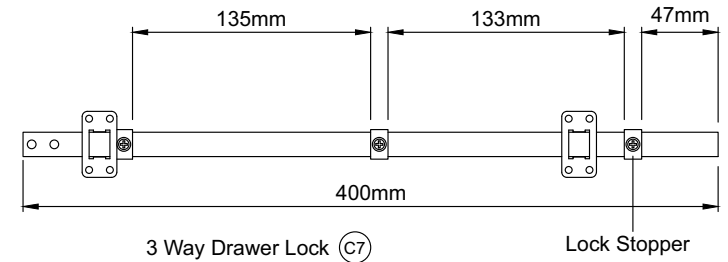
MATERIAL USE LAMINATED PARTICLE BOARD, TO CLEAN USE SOFT, DRY CLOTH. DO NOT USE DETERGENT OR CHEMICAL AVOID CONTACT WITH WATER AND DIRECT SUNLIGHT. TO BE ASSEMBLED ON A SOFT, DRY, CLEAN SMOOTH SURFACE.

USE OF POWER TOOLS TO ASSEMBLE THIS PRODUCT WILL INVALIDATE ANY CLAIM AND MAY DAMAGE THIS PRODUCT MAKING IT UNSAFE.

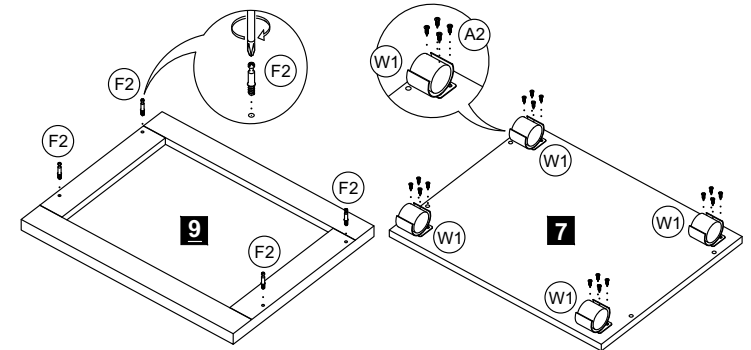


**PRE - ASSEMBLY**

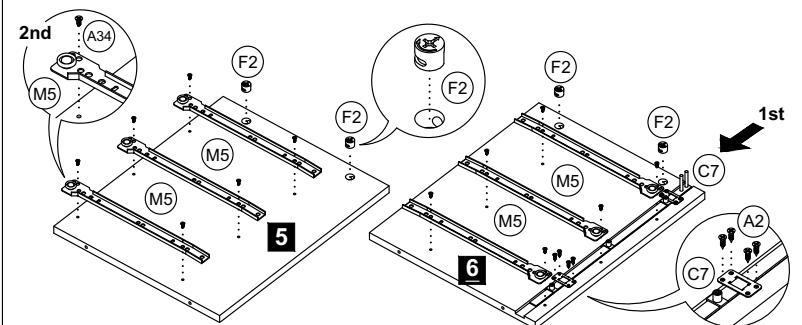
**STEP 1** Check and ensure the dimension between the Lock Stopper are the same as stated in the diagram below.



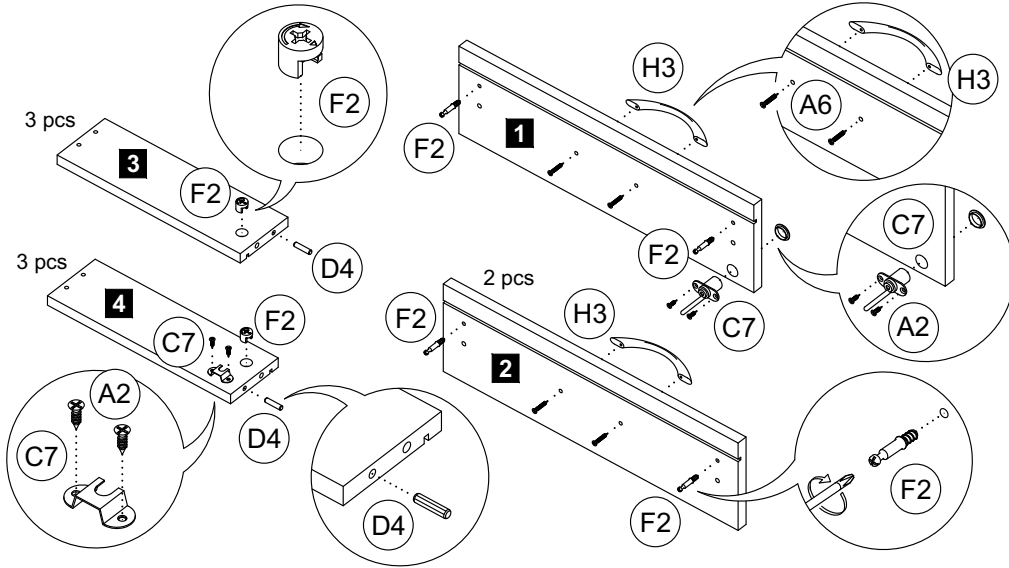
**STEP 2** Insert the Mini Fix Bolt (F2) at panel no. 9. Then, assemble the Plastic Caster Wheel P40 (W1) at panel no. 7 by using Screw m3.5 x 14mm (A2).



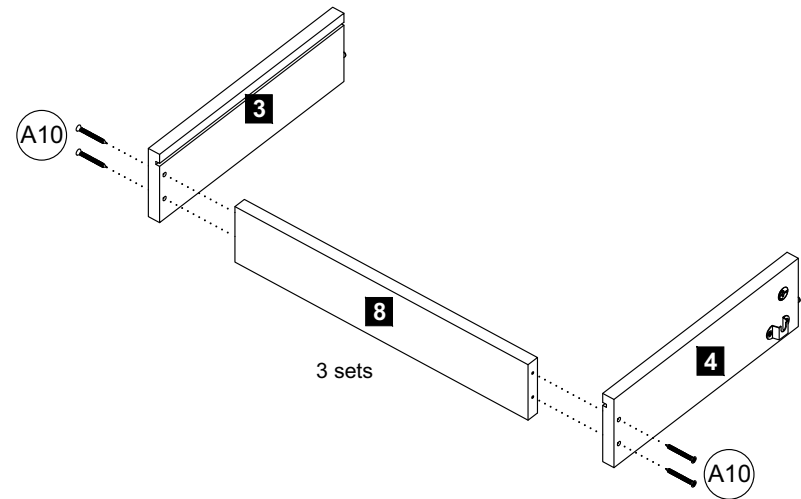
**STEP 3** Slide the 3 Way Drawer Lock (C7) along the groove and assemble the 3 Way Drawer Lock (C7) at marking hole by using Screw m3.5 x 14mm (A2) at panel no. 6. Insert the Mini Fix Cam (F2) & assemble Drawer Metal Slide 300mm (M5) by using Euro Screw m5 x 8mm (A34) at panel no. 5 & 6.



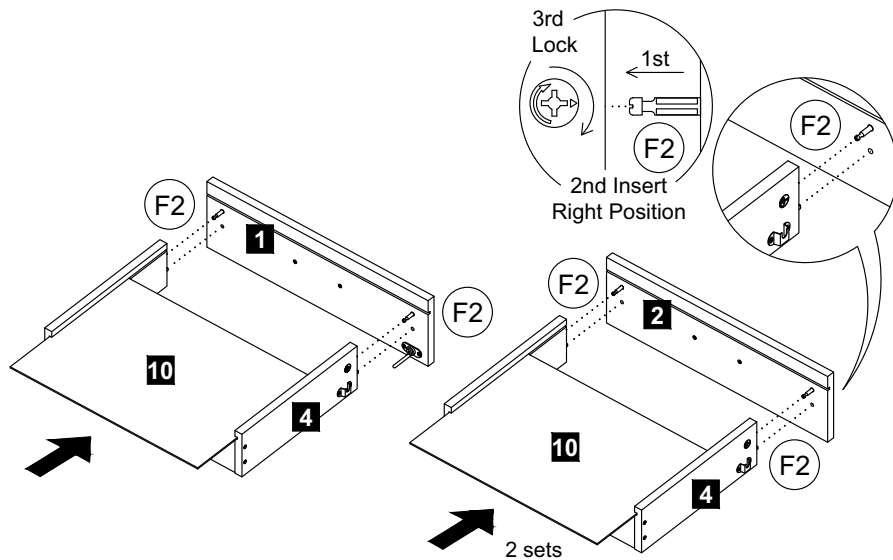
**STEP 4** Insert the Mini Fix Bolt (F2) & assemble the Handle (H3) by using Screw m4 x 25mm (A6) at panel no. 1 & 2. Assemble the 3 Way Front Lock (C7) at panel no. 1 & assemble the 3 Way Front Lock Stopper Plate (C7) at panel no. 4 by using Screw m3.5 x 14mm (A2). Then, insert the Mini Fix Cam (F2) & Wood Dowel 6 x 25mm (D4) at panel no. 3 & 4.



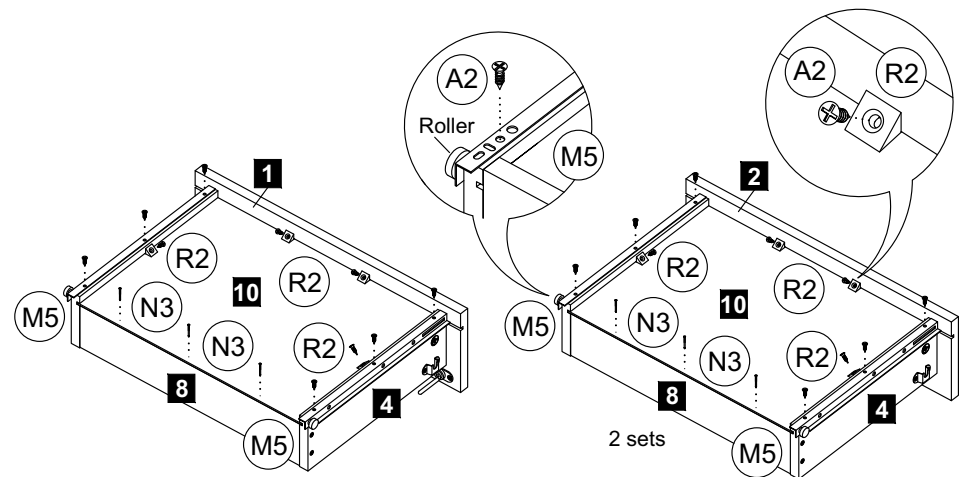
**STEP 5** Assemble the panel no. 3, 4 & 8 together by using Screw m4 x 38mm (A10). Assemble 3 sets of drawer frame in repeated at step 5.



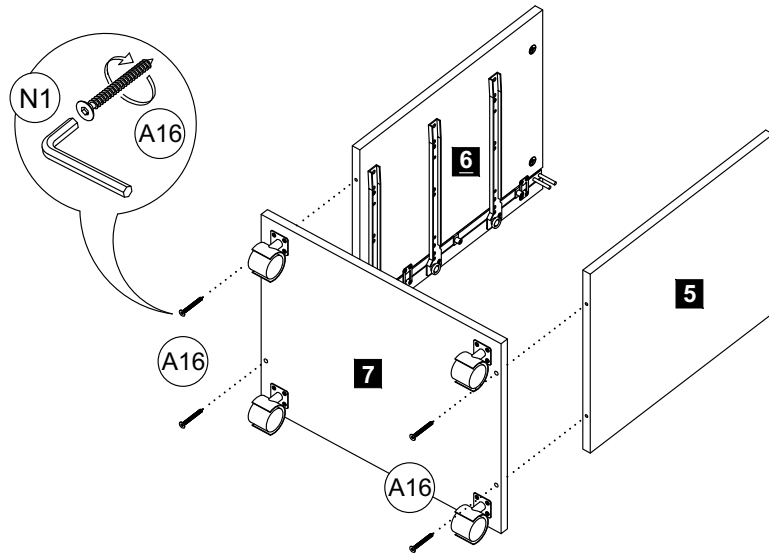
**STEP 6** Assemble the drawer front panel no. 1 & 2 by using Mini Fix 15mm (F2). Slide the bottom panel no. 10 until the groove end. Assemble 3 sets of drawer in repeated at step 6.



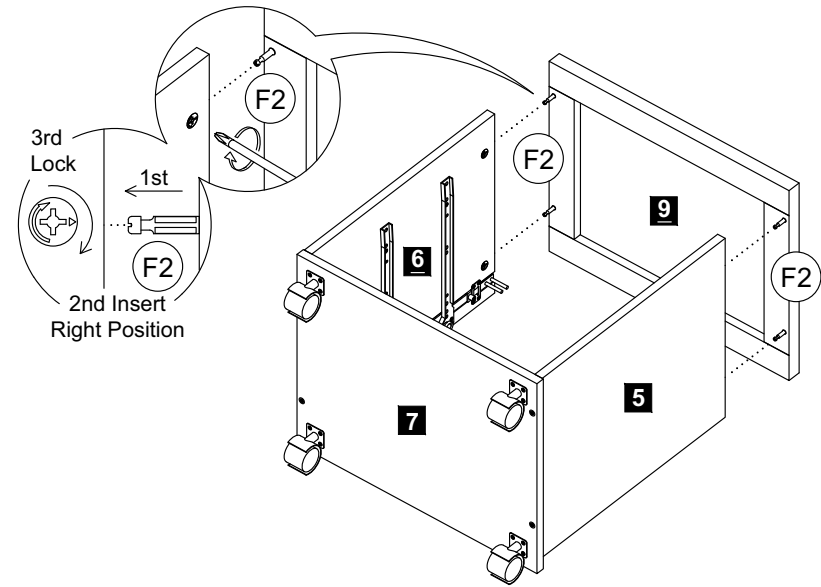
**STEP 7** Assemble the Drawer Metal Slide 300mm (M5) by using Screw m3.5 x 14mm (A2). Secure the drawer bottom panel by using Nail (N3) & Single Plastic Cap (R2) with Screw m3.5 x 14mm (A2). Assemble 3 sets of drawer in repeated at step 7.



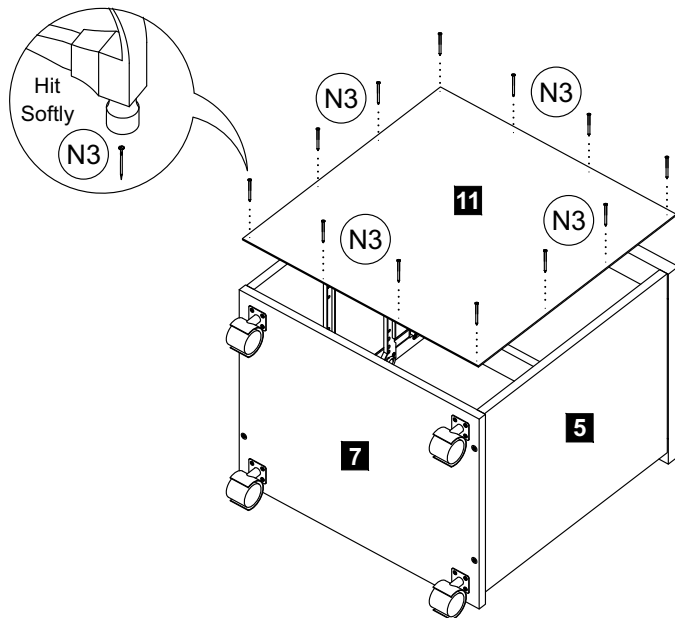
**STEP 8** Assemble the panel no. 5, 6 & 7 together by using Screw JCBCW m6 x 50mm (A16). Use Allen Key (N1) to tighten the Screw JCBCW m6 x 50mm (A16).



**STEP 9** Assemble the panel no. 9 to the unit by using Mini Fix 15mm (F2).



**STEP 10** Assemble the panel no. 11 to the unit by using Nail (N3).



**STEP 11** Insert the drawers to the unit.

