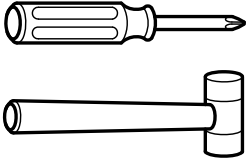
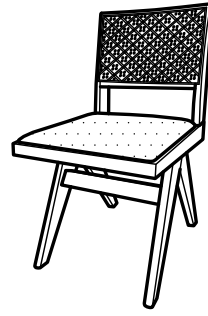


# ASSEMBLY INSTRUCTIONS

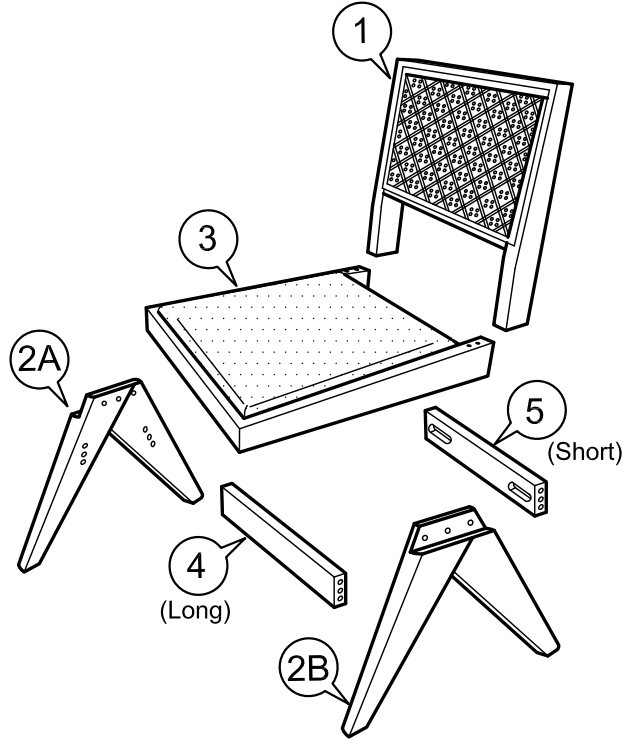
247-000002



Not Provided

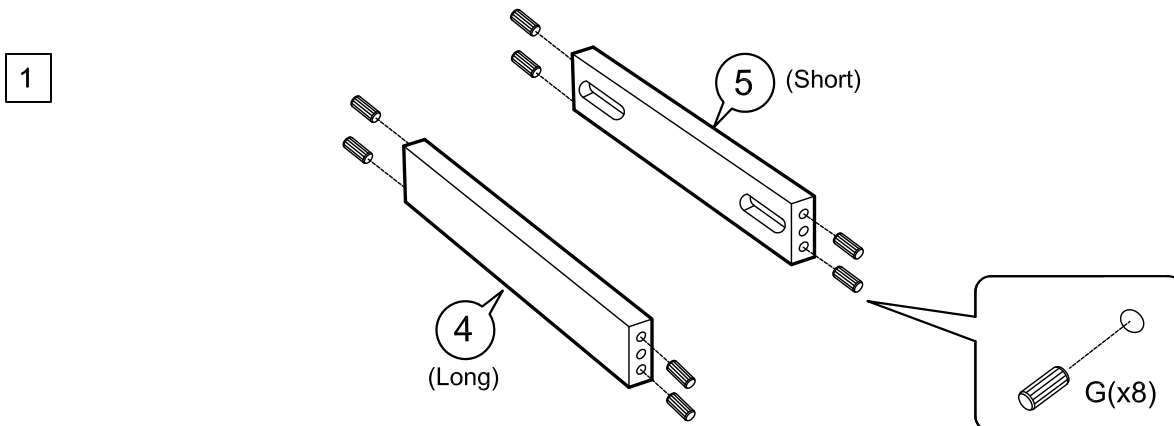


## Part List :



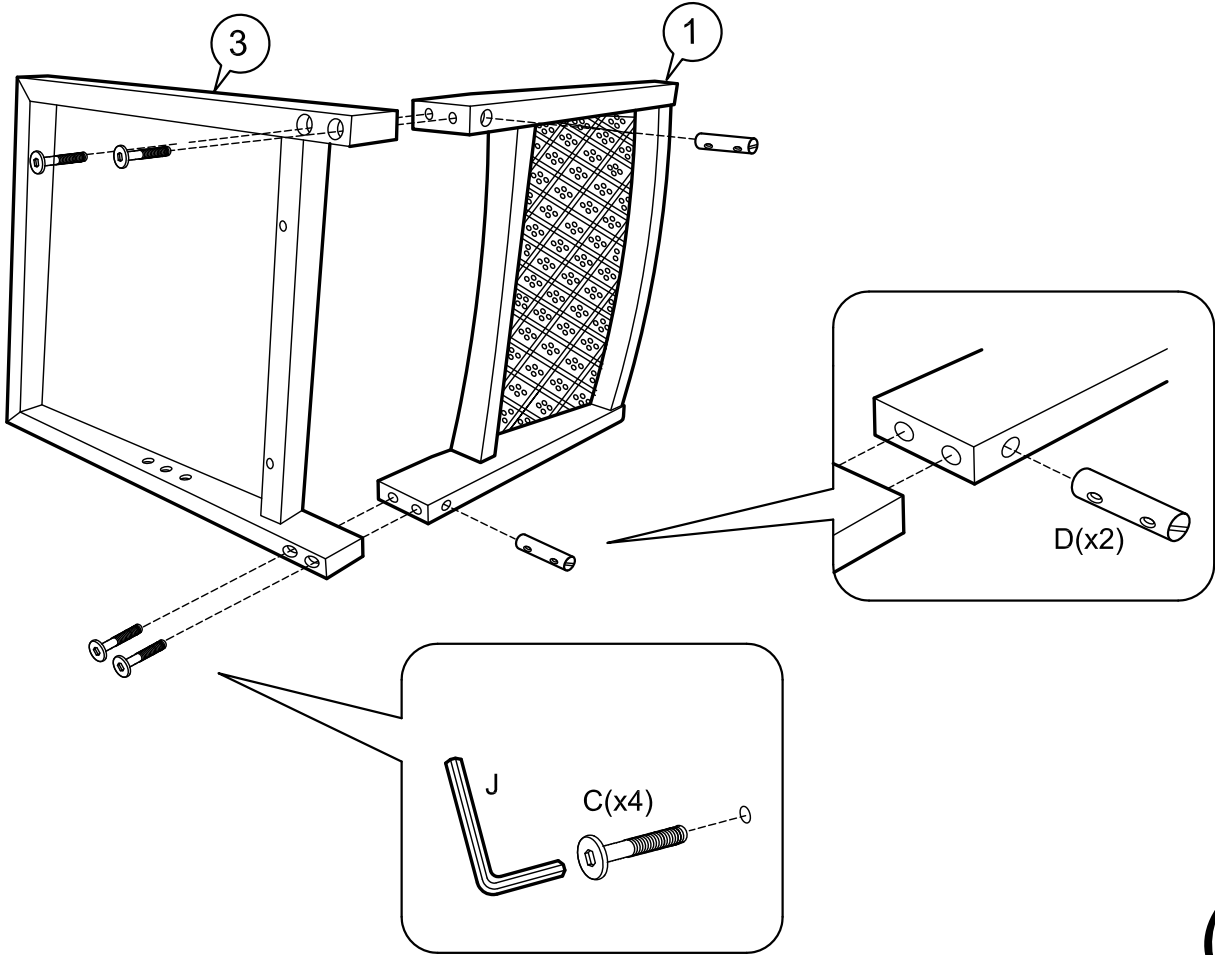
## HARDWARE LIST :

A	M6 x 35mm = 12	D	M8 x 55mm = 4	G	M8 x 30mm = 16	J	M5 = 1
B	M6 x 50mm = 8	E	5/16" = 8	H	Ø13.5 x 9 = 4		
C	M8 x 100mm = 8	F	M6 x 13mm = 12	I	M4 x 100mm = 1		



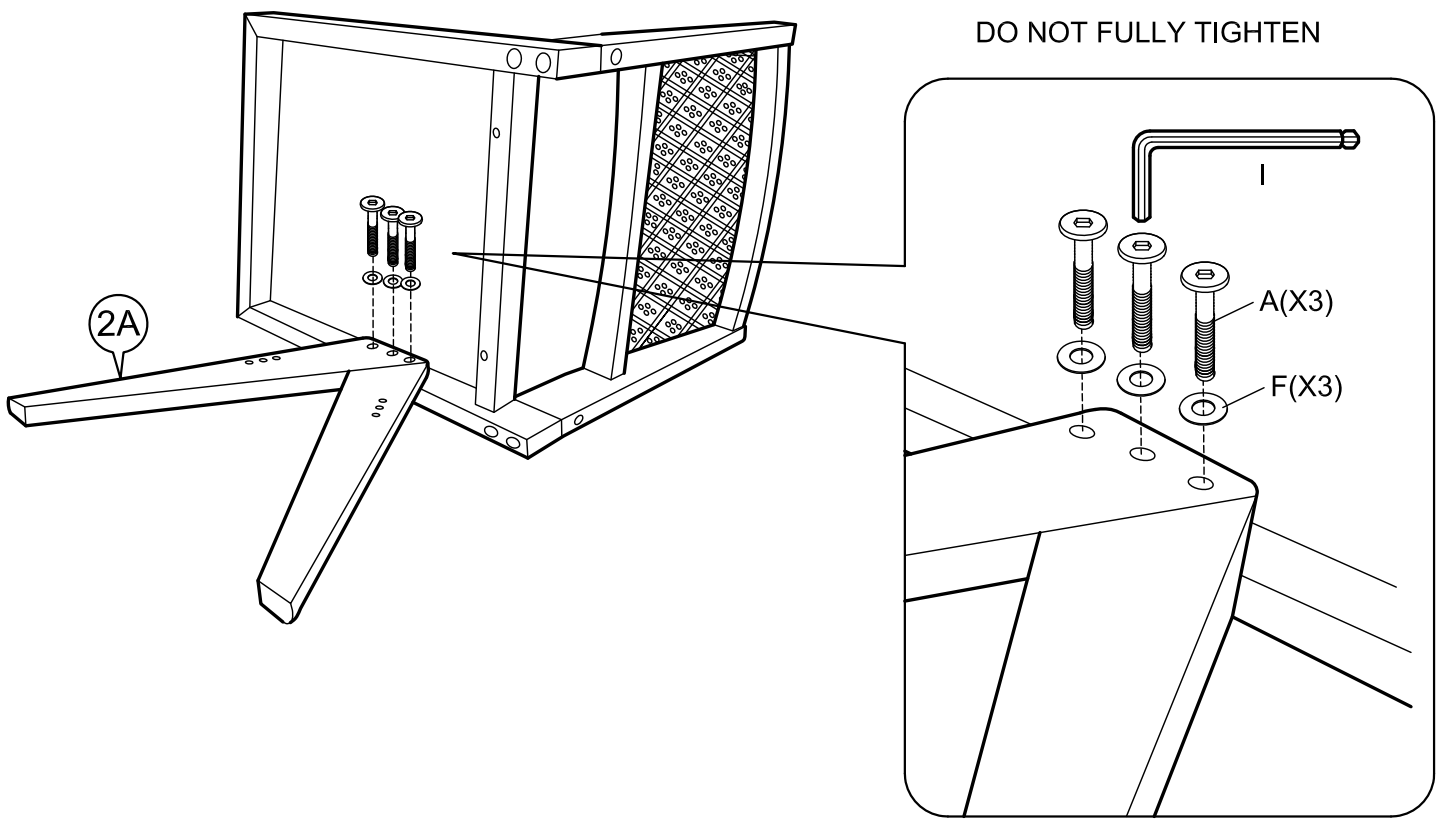
(x2)

2

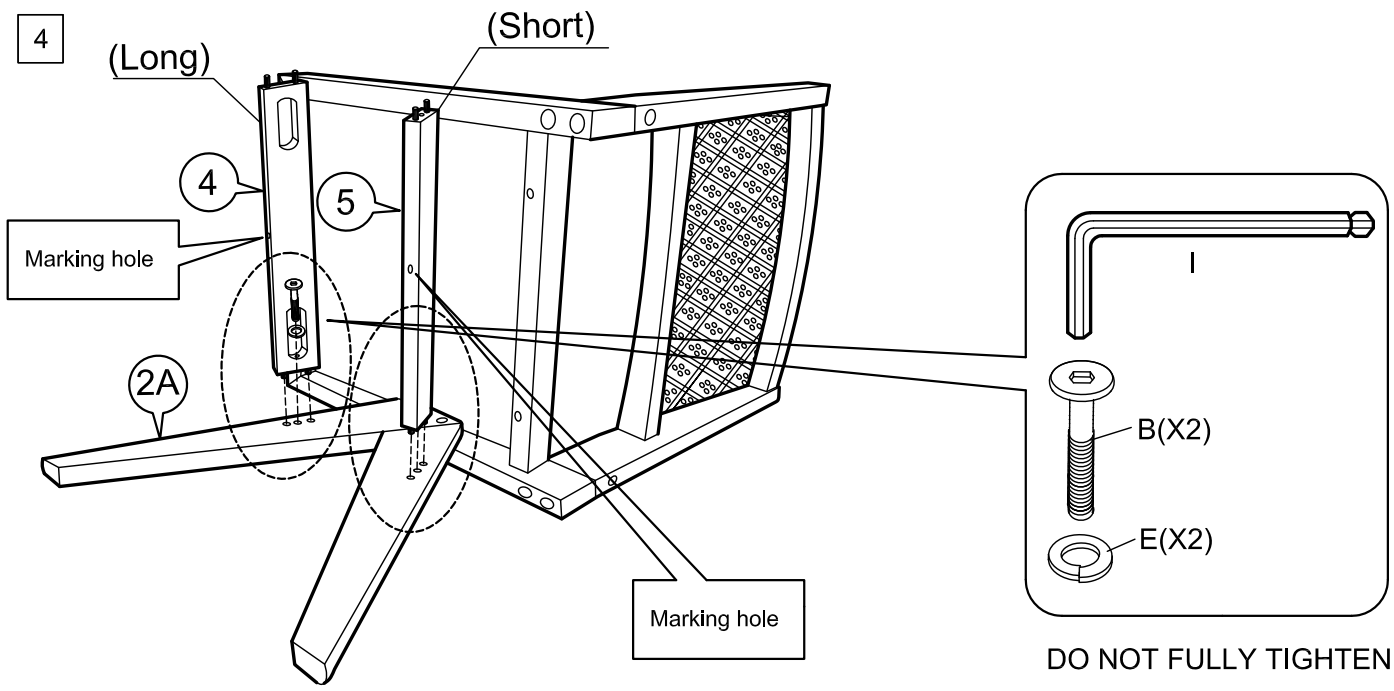


(x2)

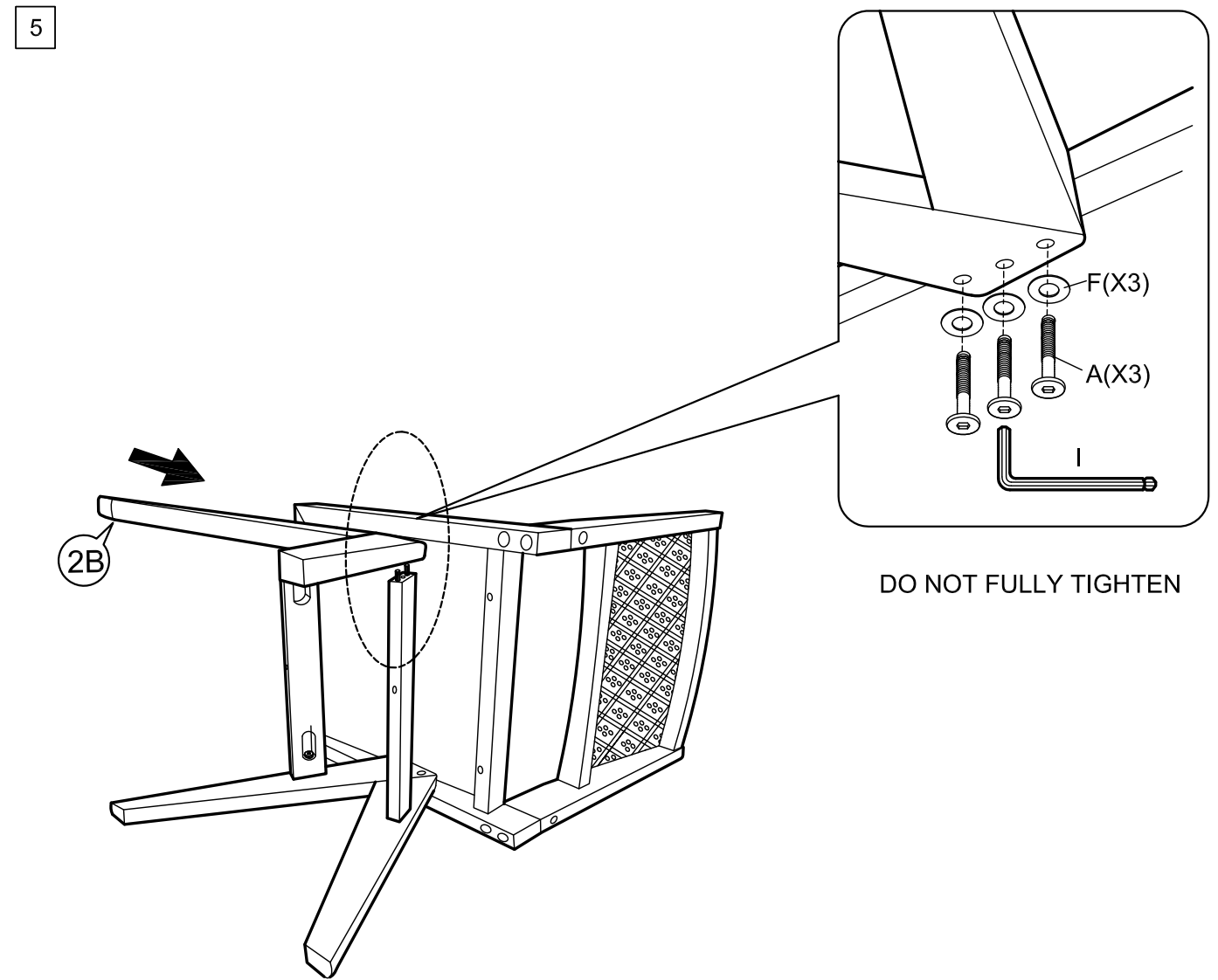
3



(x2)

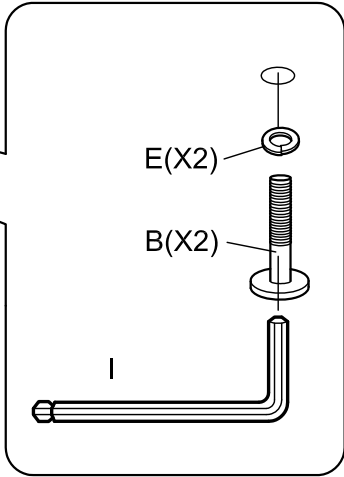
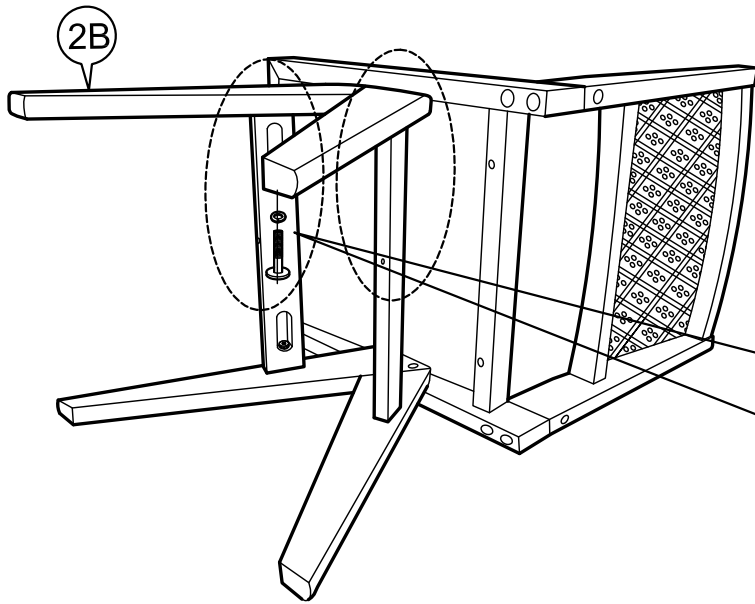


(x2)



(x2)

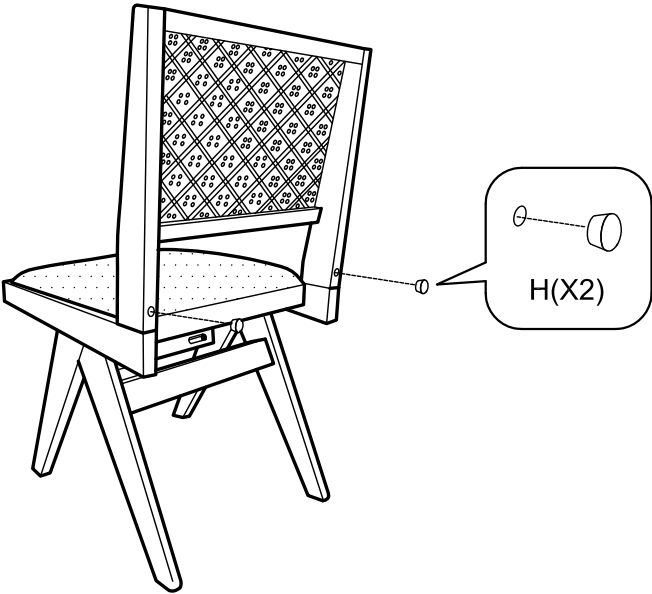
6



DO NOT FULLY TIGHTEN

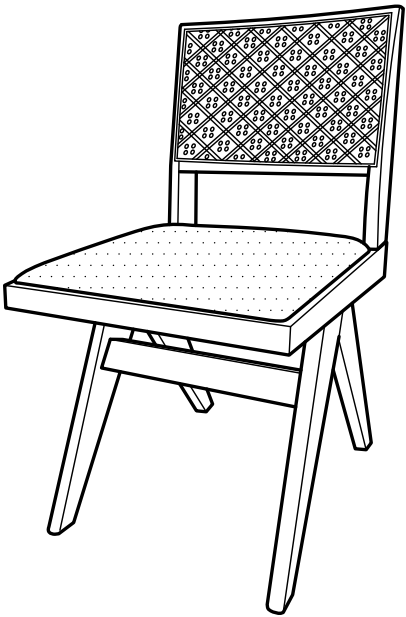
(x2)

7



(x2)

8



FULLY TIGHTEN ALL BOLTS

(x2)