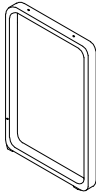
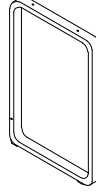
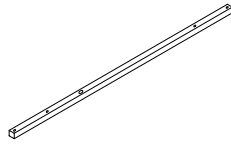
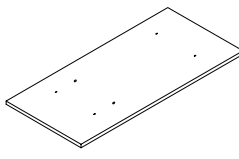

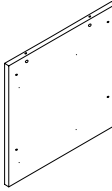
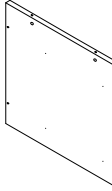
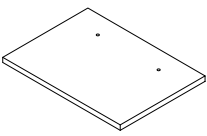
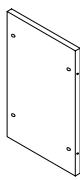
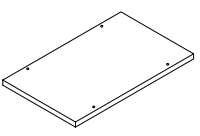
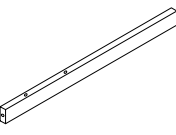
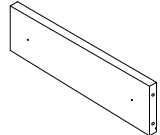
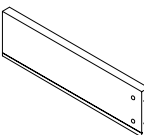
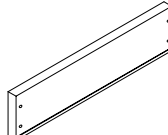
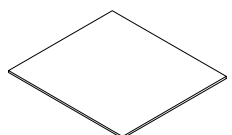
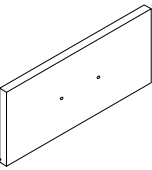
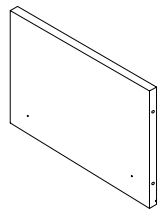
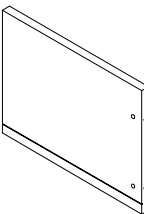
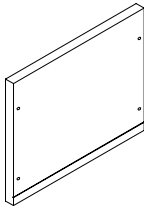
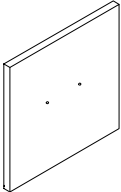
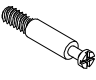





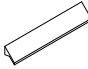

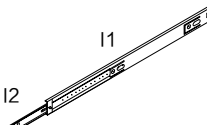


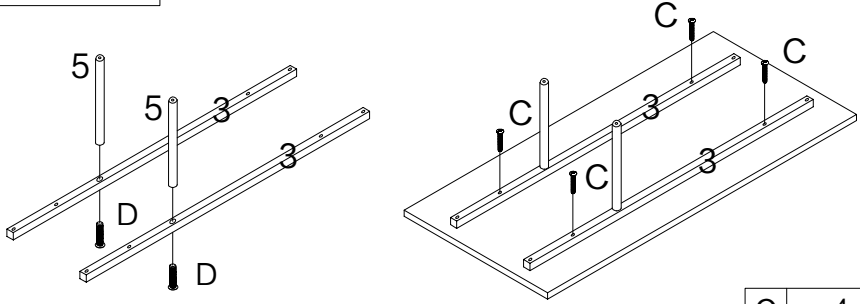
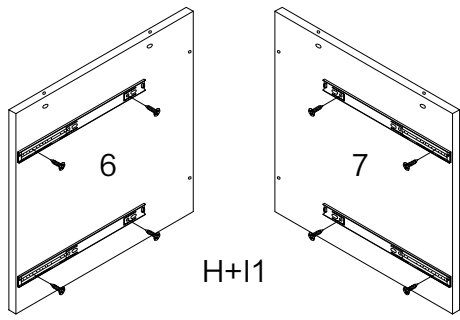


# 230-000028

1  x1	2  x1	3  x2	4  x1	5  x2				
6  x1	7  x1	8  x1	9  x1	10  x1				
11  x1	12  x1	13  x1	14  x1	15  x2				
16  x1	17  x1	18  x1	19  x1	20  x1				
A  x16	B  x16	C  ( 6x30mm ) x6	D  ( 6x25mm ) x10	E  ( 5x50mm ) x12				
F  ( 4x18mm ) x4	G  x2	H  ( 3.5x12mm ) x16	I  x4	J  ( 6x45mm ) x2				
K  ( 4x40mm ) x2	<p><b>Step 1</b></p> 							
				<table border="1"> <tr> <td>C</td> <td>x4</td> </tr> <tr> <td>D</td> <td>x2</td> </tr> </table>	C	x4	D	x2
C	x4							
D	x2							

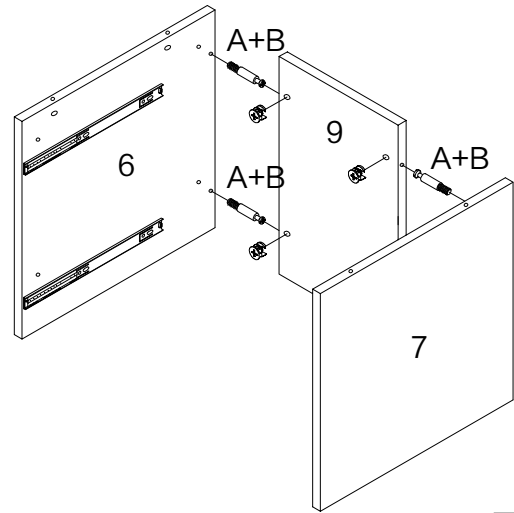
Step 2



H x4

I x4

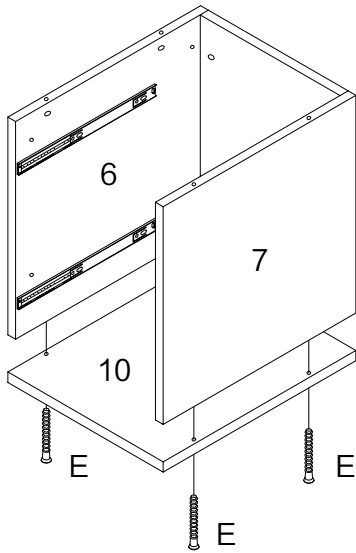
Step 3



A x4

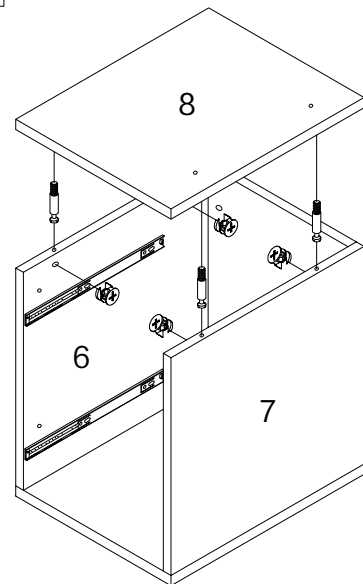
B x4

Step 4



E x4

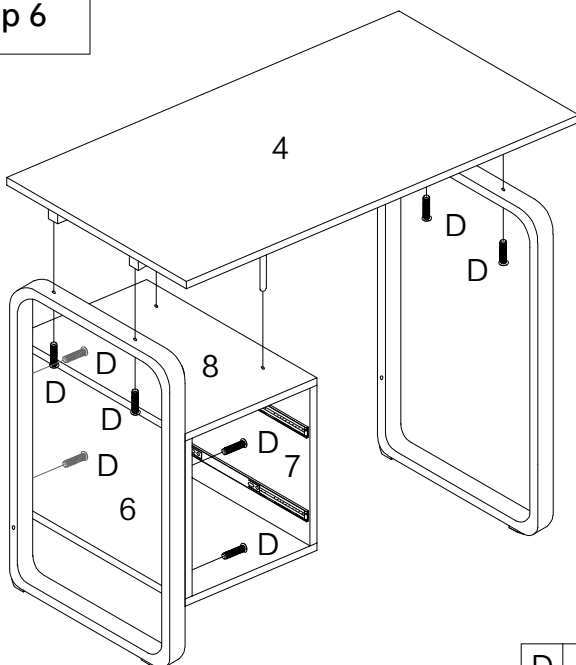
Step 5



A x4

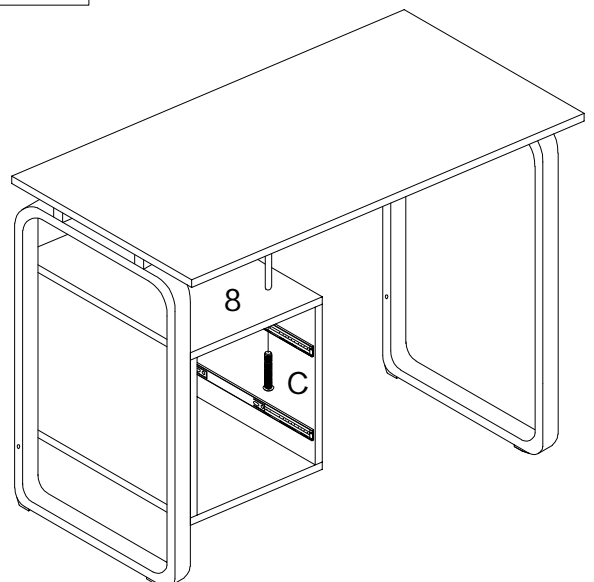
B x4

Step 6



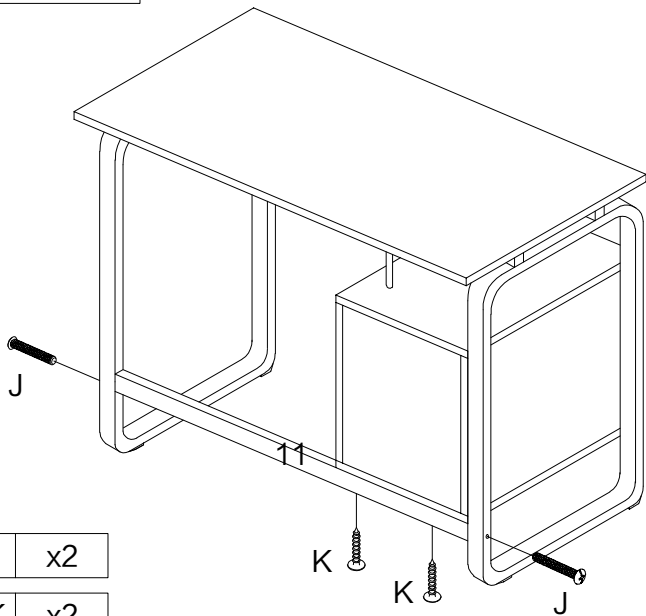
D x8

Step 7



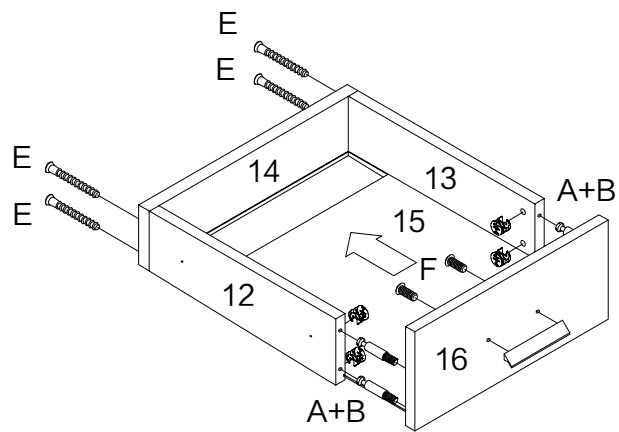
C x2

### Step 8



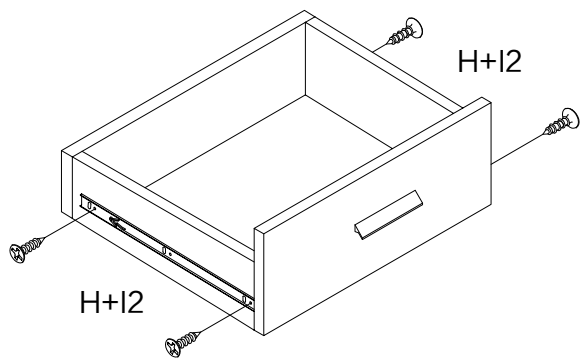
- |   |    |
|---|----|
| J | x2 |
| K | x2 |

### Step 9



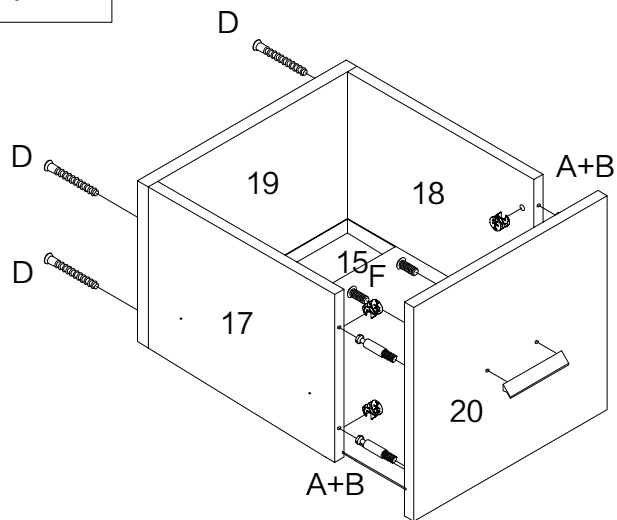
- |   |    |   |    |
|---|----|---|----|
| A | x4 | D | x4 |
| B | x4 | F | x2 |

### Step 10



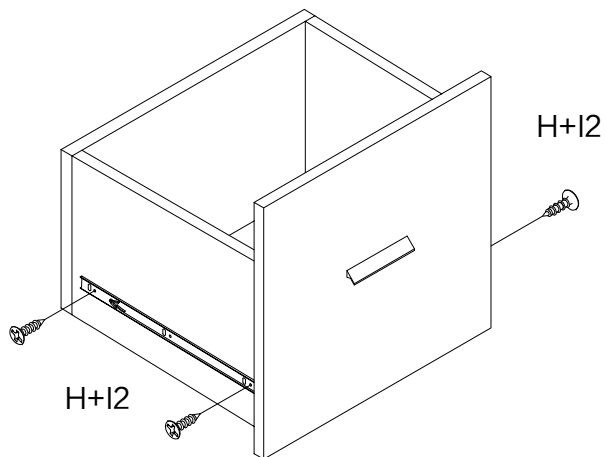
- |   |    |
|---|----|
| H | x4 |
| I | x2 |

### Step 11



- |   |    |   |    |
|---|----|---|----|
| A | x4 | D | x4 |
| B | x4 | F | x2 |

### Step 12



- |   |    |
|---|----|
| H | x4 |
| I | x2 |

### Complete

