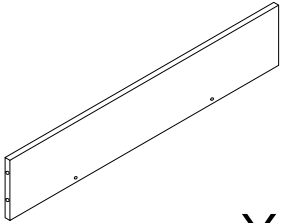
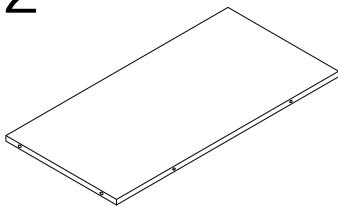
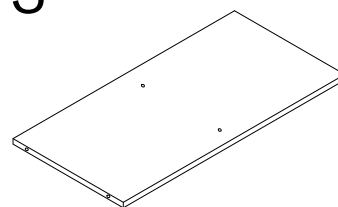
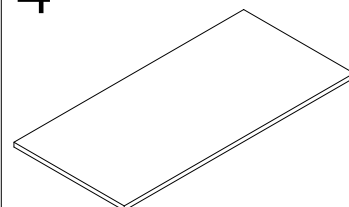
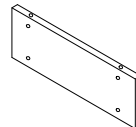
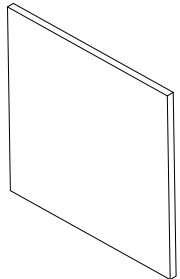
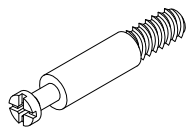

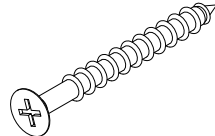
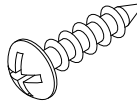
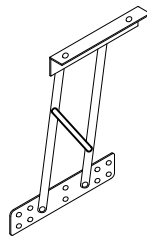
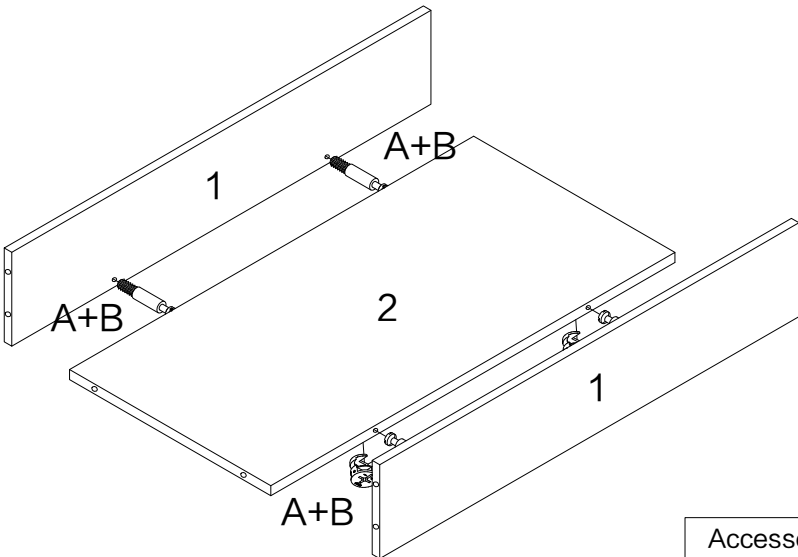




# 230-000001

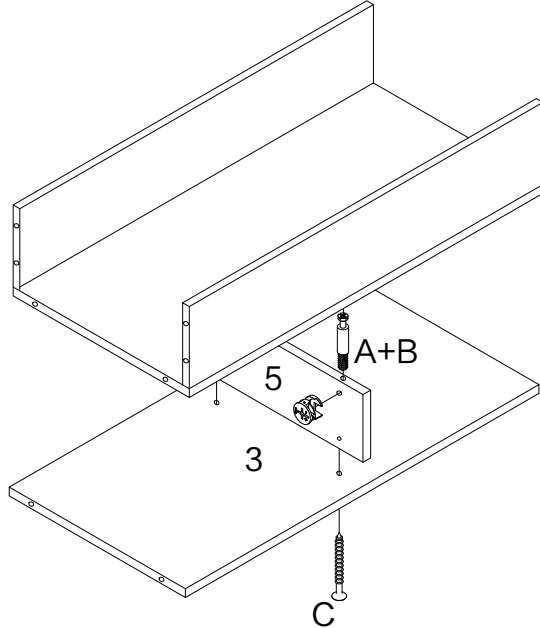
|   |   |  |  |  |  |
|---|---|--|--|--|--|
| <p>1</p>  <p>X2</p>   | <p>2</p>  <p>X1</p>  | <p>3</p>  <p>X1</p>        | <p>4</p>  <p>X1</p>           | <p>5</p>  <p>X1</p> | <p>6</p>  <p>X2</p> |
| <p>A</p>  <p>X22</p> | <p>B</p>  <p>X22</p> | <p>C (5X50)</p>  <p>X2</p> | <p>D (3.5X12)</p>  <p>X28</p> | <p>E</p>  <p>X2</p> |  |




Step 1



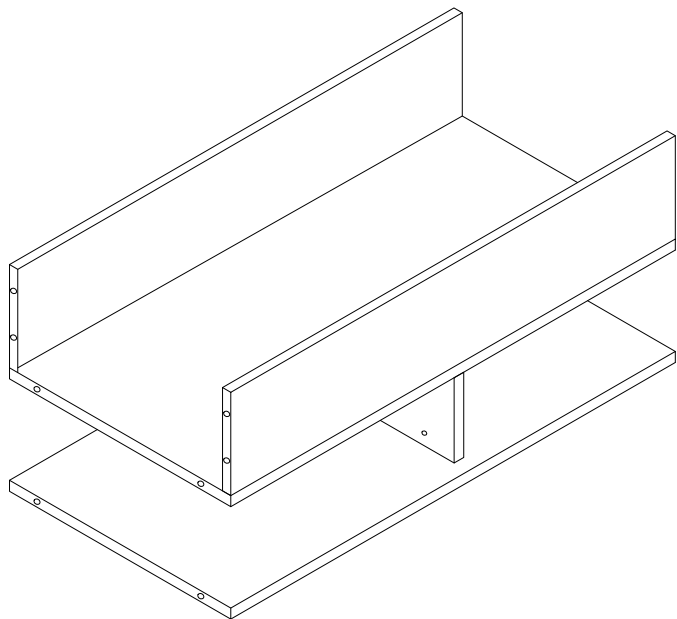
| Accessories used  |     |
|---|-----|
|  | AX4 |
|  | BX4 |

Step 2

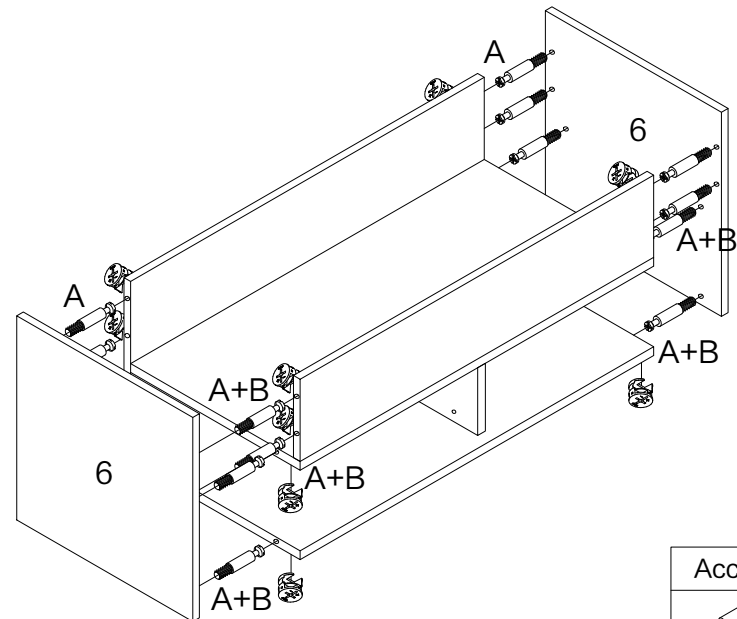


| Accessories used  |     |
|---|-----|
|  | AX2 |
|  | BX2 |
|  | CX2 |

### Step 3



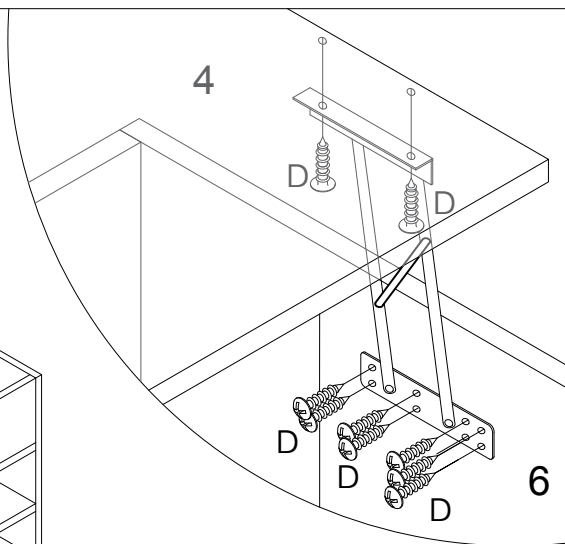
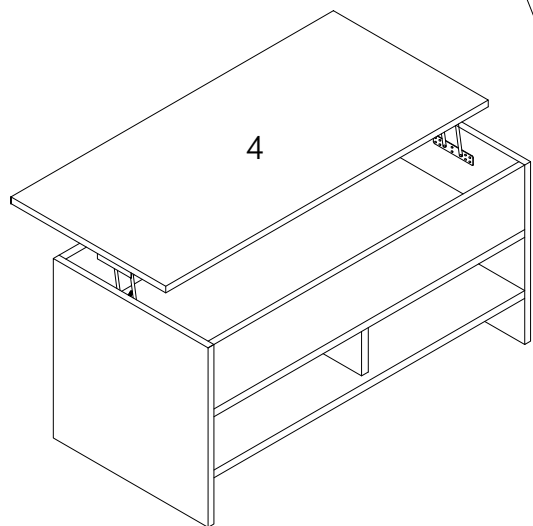
### Step 4




Accessories used

|   |      |
|---|------|
|  | AX16 |
|  | BX16 |

### Step 5



Accessories used

|   |      |
|---|------|
|  | DX28 |
|---|------|

### complete

