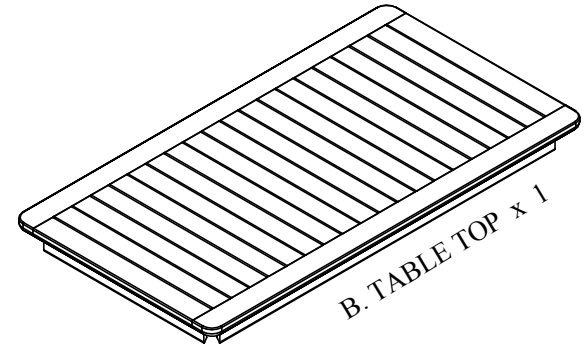


These instructions must be used to ease the assembly of your furniture.
Please ensure that you have all the components before assembly.
Remember to place the part on a carpeted floor or blanket in order to protect them from damage while you assemble.

COMPONENTS



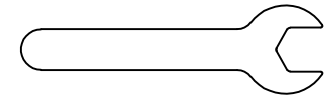
A. LEGS x 4



B. TABLE TOP x 1

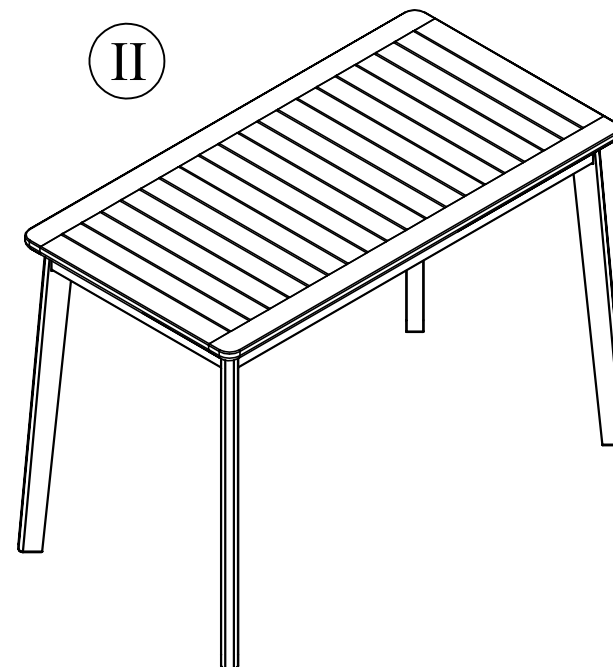
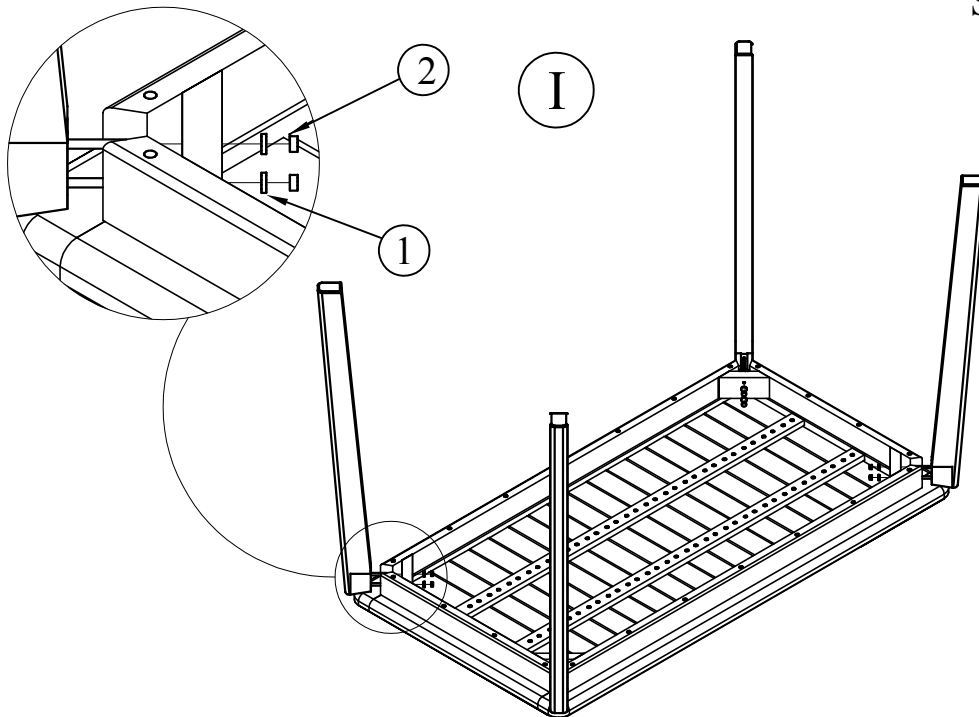
① WASHERS = 8pcs 

② LOCK NUTS = 8pcs 

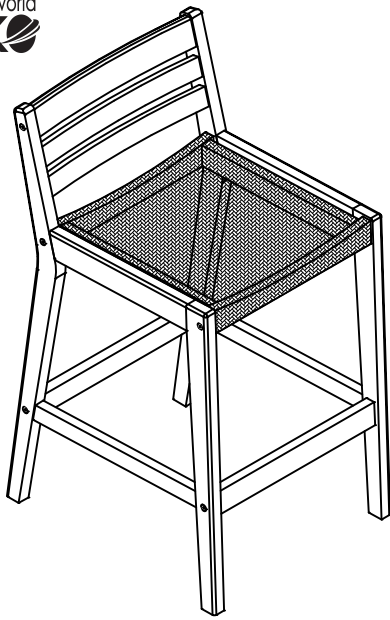


③ KEY = 1pce

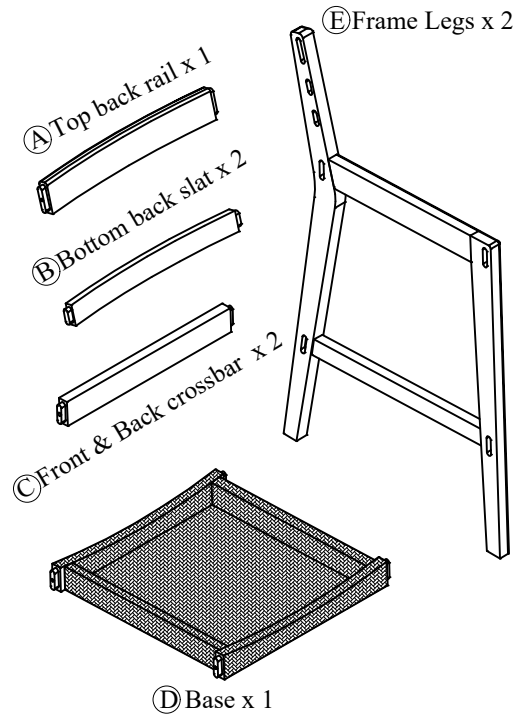
STEP



FINISHED



COMPONENTS

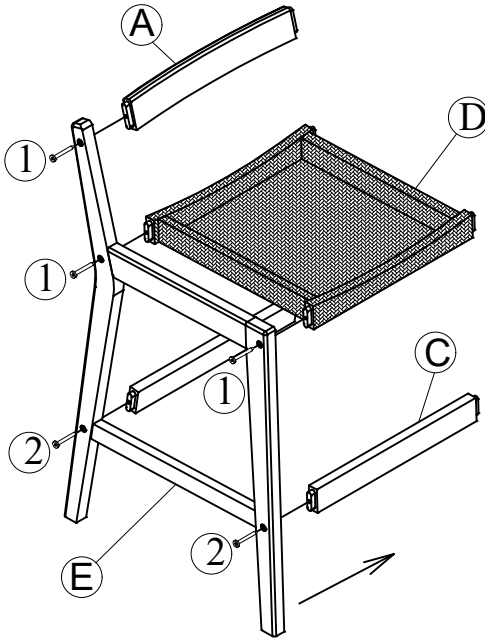


HARDWARE

①		SCREW M6 x 60	6 pcs
②		BOLT M6 x 60 Nut	4 Pcs
③		ALLEN KEY 4	2 pcs

These instructions must be used to ease the assembly of your furniture.
Please ensure that you have all the components before assembly.
Remember to place the part on a carpeted floor or blanket in order to protect them from damage while you assemble.

STEP 1



STEP 2

