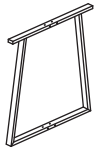


Table Base Installation

217-000035



× 1 Pcs



× 2 Pcs

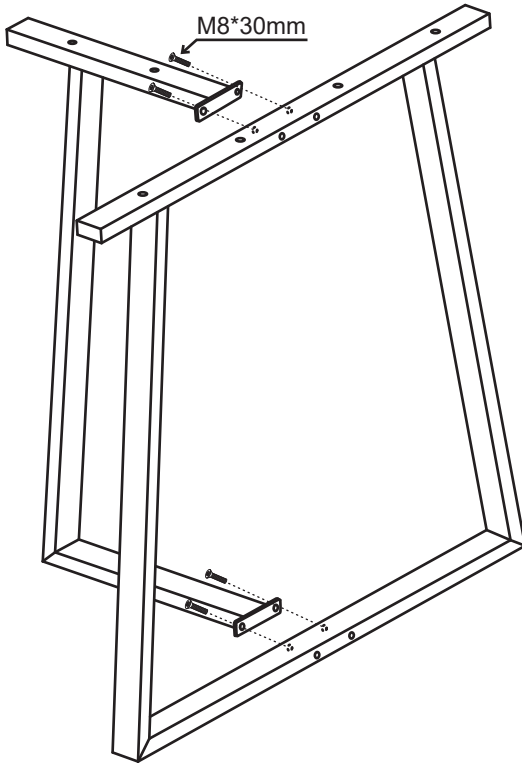


× 8 Pcs
M8*30mm

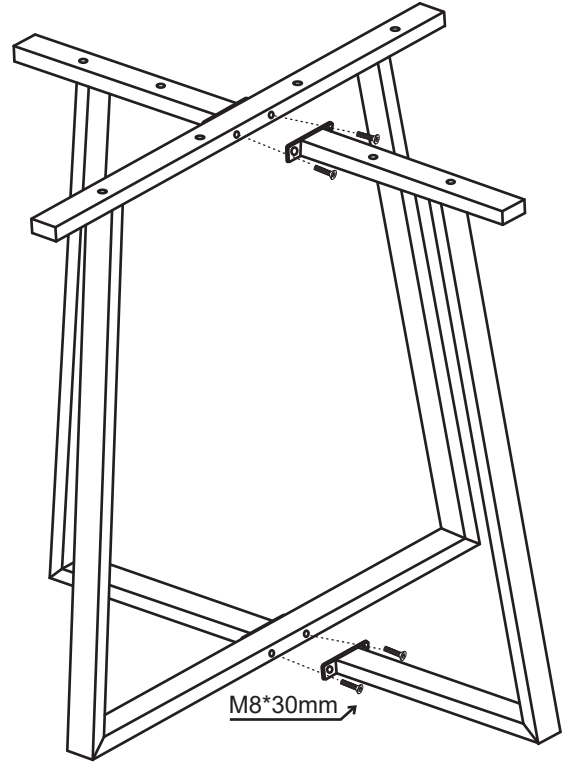


× 4 Pcs
M8*25mm

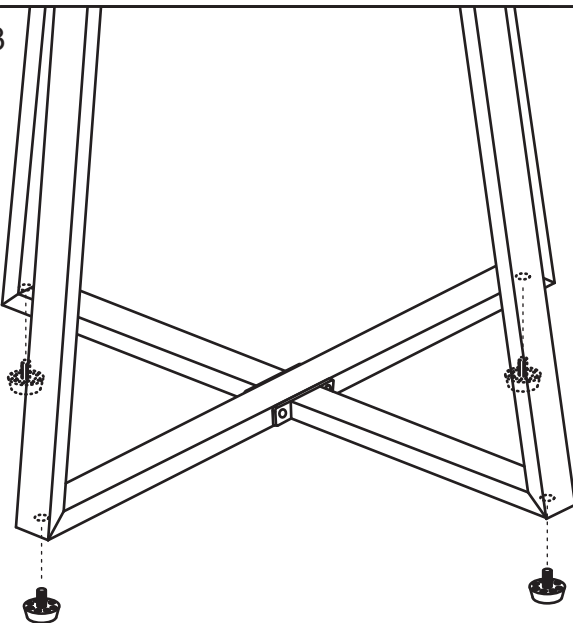
Step 1



Step 2



Step 3



Finished

