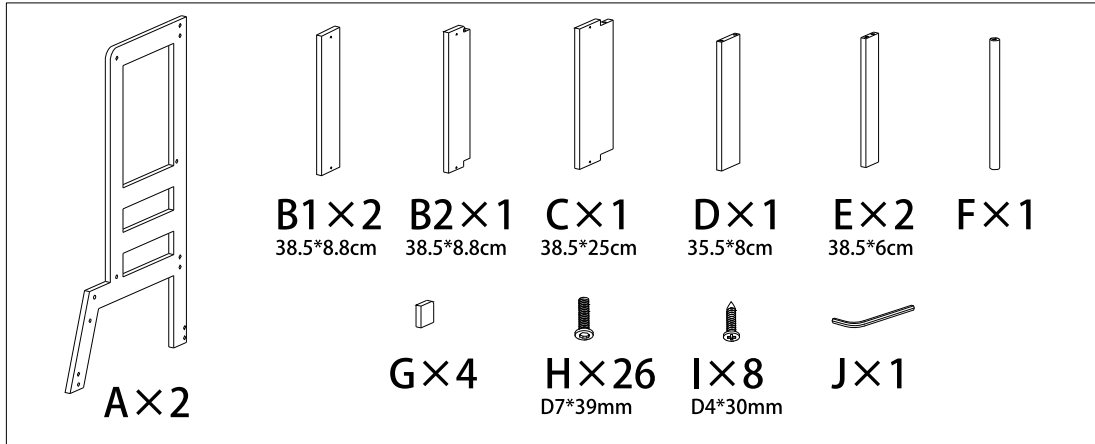
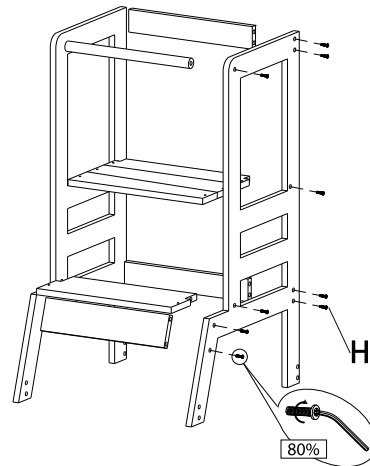
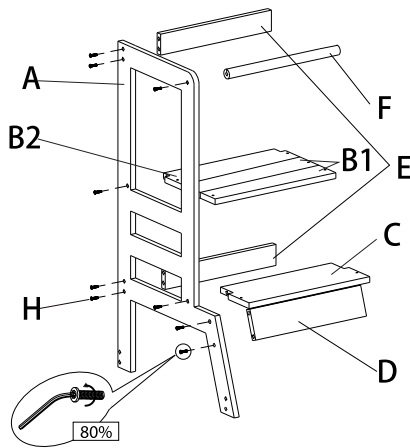


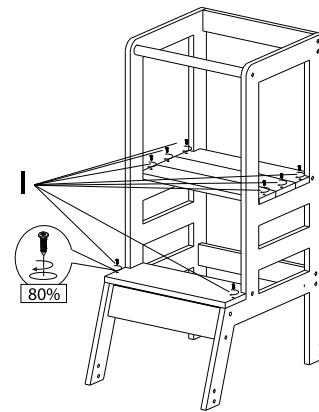
NOTICE / INSTRUCTION SHEET



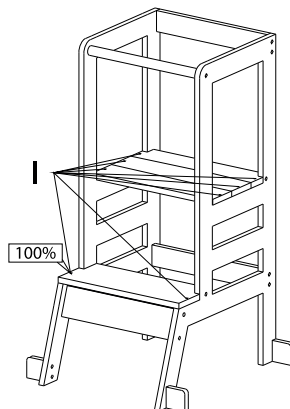
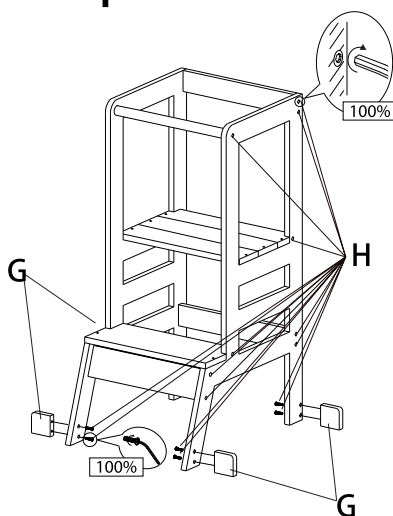
Step1



Step2



Step3



Step4

