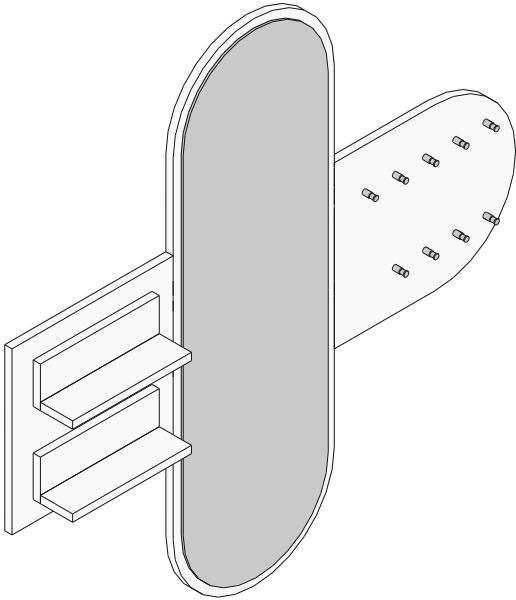


182-000071



Before starting the assembly need to



1 Person



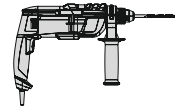
Philips Screwdriver



Hammer



Drill



Hammer Drill

Dear Customer

This product you have purchased has been subjected to all tests and controls by us before it reaches you. However, your product may have been damaged during transportation or shipped incompletely. Therefore, it is useful to check the current product using the manual before starting the installation. If you encounter a missing or faulty object during the check, define the object using the manual and contact our company. Our officials will provide you with the object you need as soon as possible. You do not need to return the faulty product to our company.

For a successful installation, please provide the auxiliary tools mentioned above.

Before you start, clean every existing item with a damp cloth.

After cleaning the existing parts, arrange them in a suitable area according to their size. Meanwhile, be careful not to rub against each other while moving the pieces and not to hit the corner parts while arranging them.

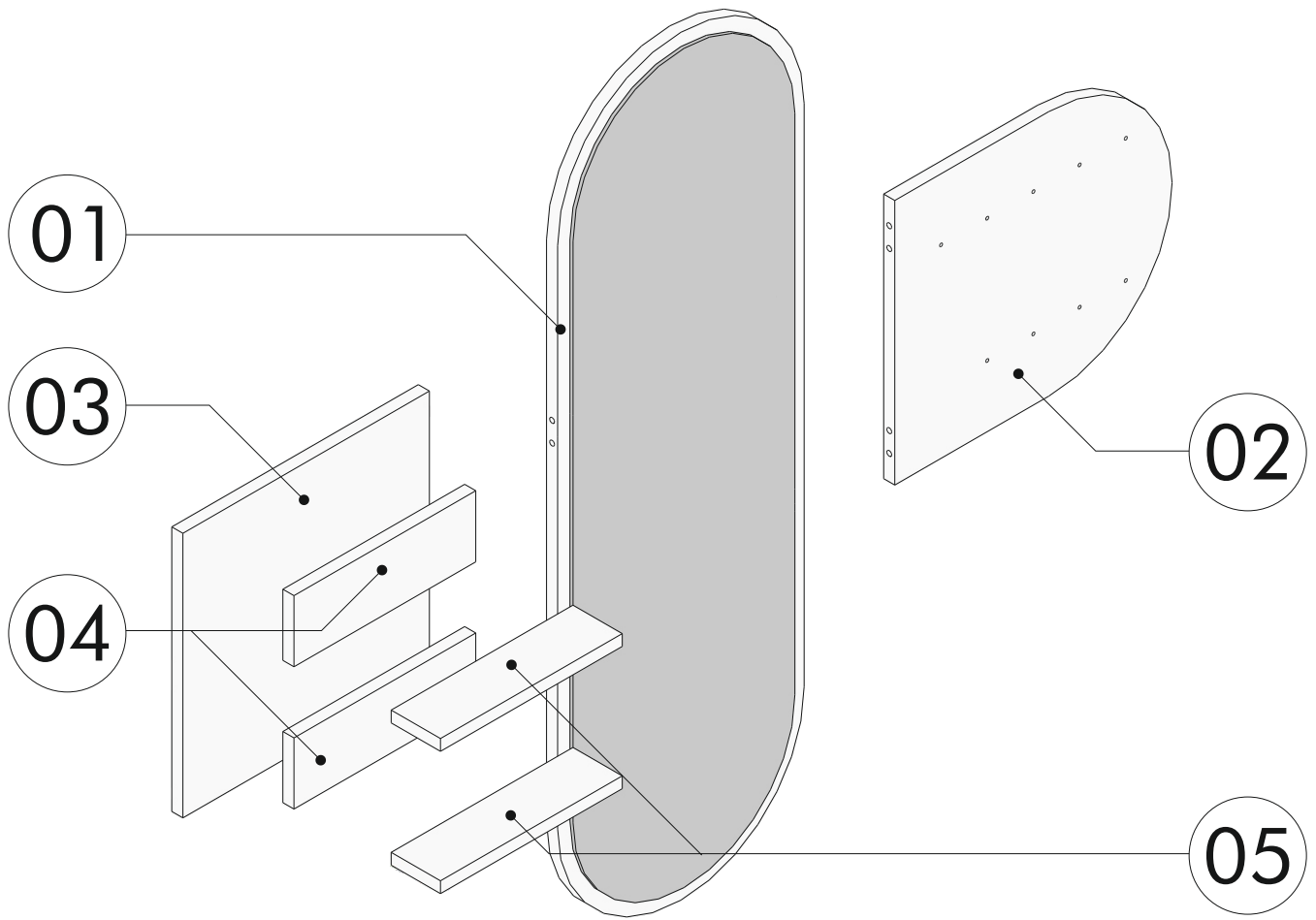
During installation, carefully review all steps in the manual.

After the installation process is completed, check the integrity of all connection points.

After the assembly, carry the product as 2 people.

Do not expose your product to direct sunlight. Keep away from hot and humid environments. Position your product appropriately considering these issues. In addition, do not load the product with heavy loads that may cause stretching and do not use it outside of its purpose.

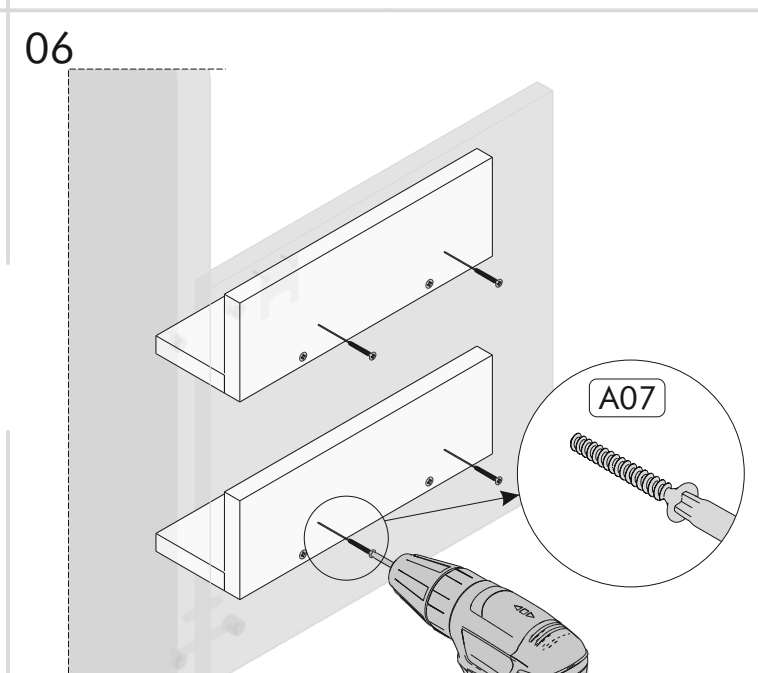
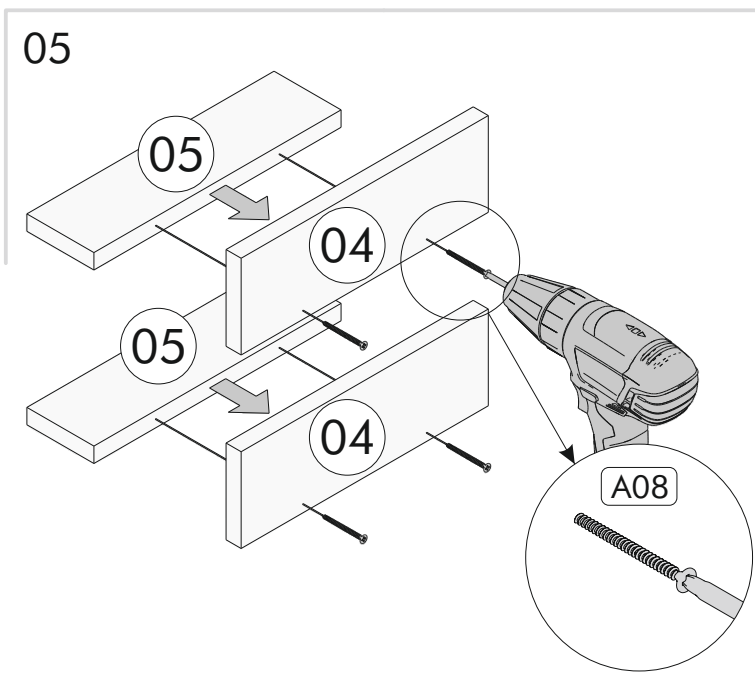
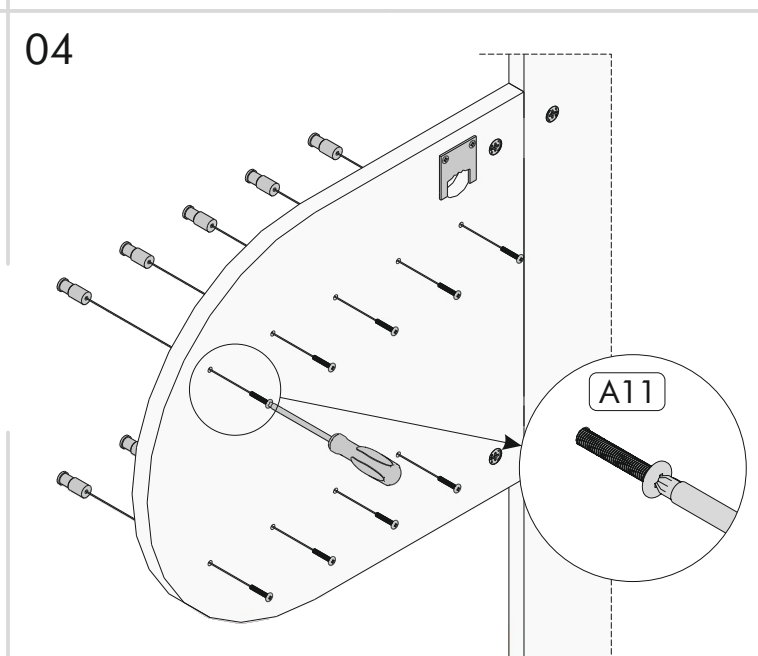
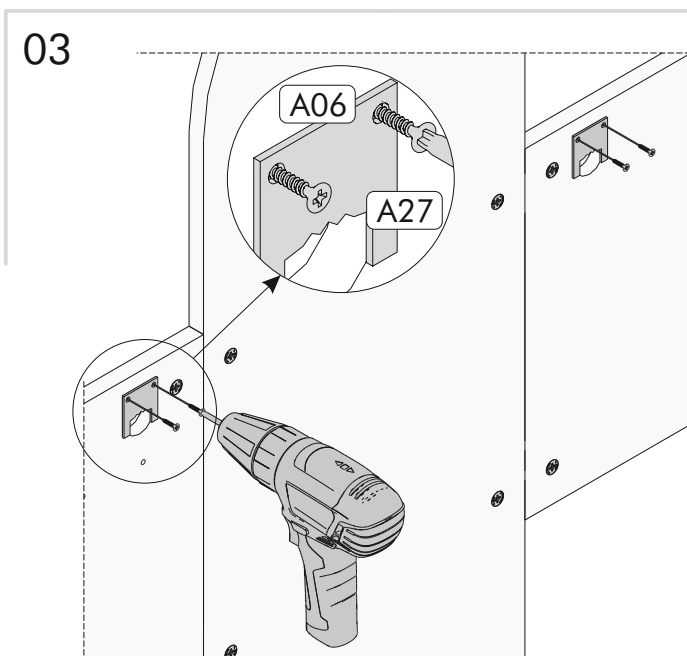
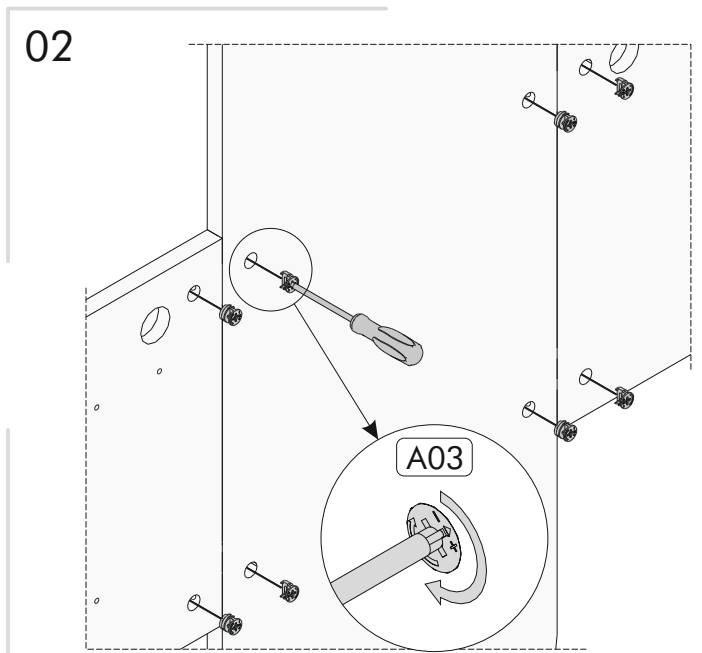
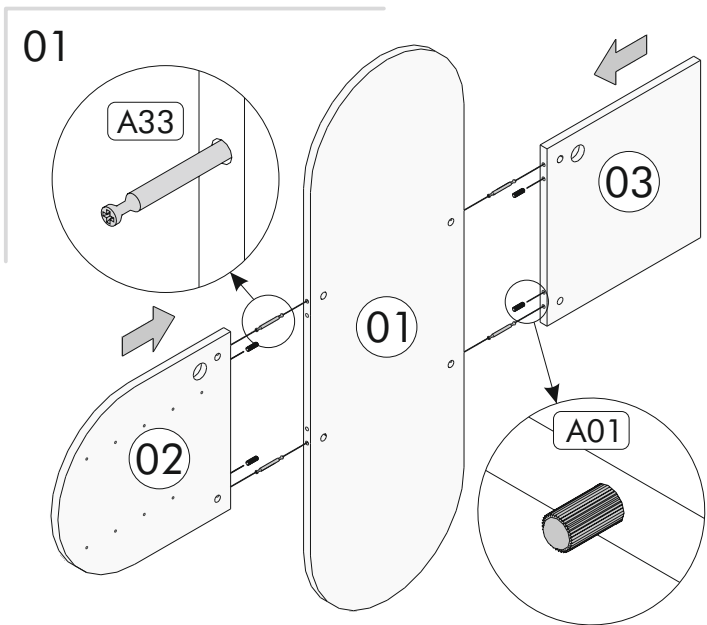
You can contact our company about the topics you are curious about.



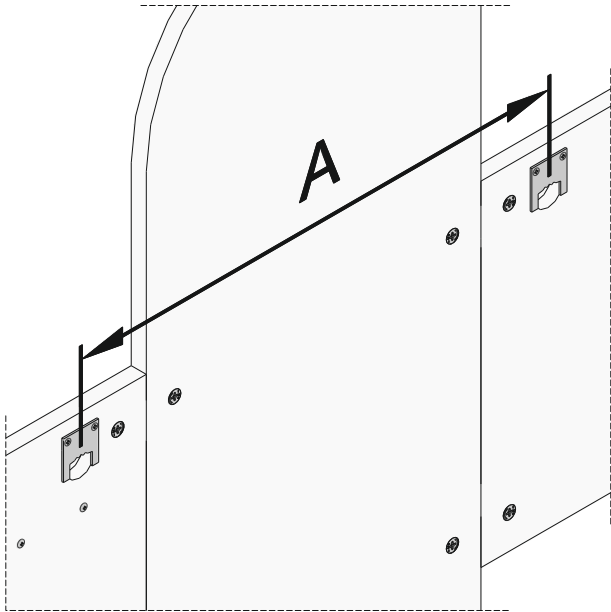
LIST OF PART

LIST OF ACCESSORY

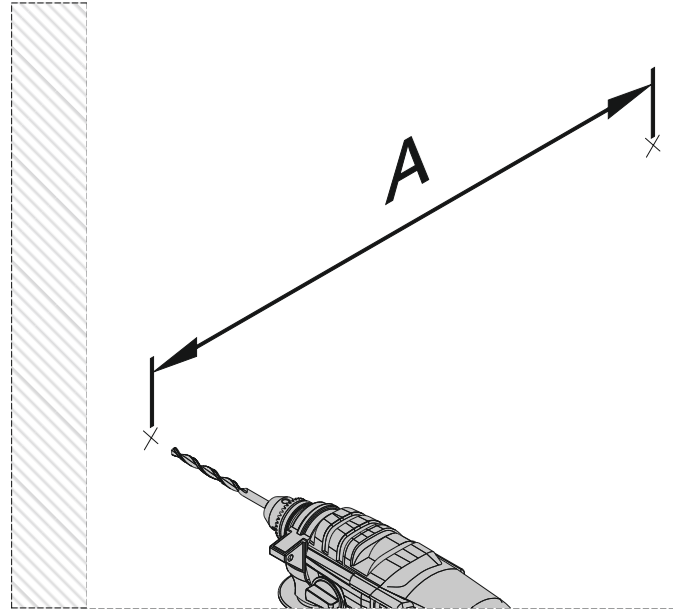
Code	Dimension	Pieces	LIST OF ACCESSORY			
01	122 x 40 x 1.8 cm	1	x4 A01	x4 A33	x8 A03	x2 A27
02	45 x 40 x 1.8 cm	1	x4 A06 3.5x18	x4 A07 3.5x30	x4 A08 4x50	x2 A17 5x70
03	40 x 40 x 1.8 cm	1				
04	10 x 29.5 x 1.8 cm	2	x2 A18	x9 A11	x9 A84	
05	8 x 29.5 x 1.8 cm	2				



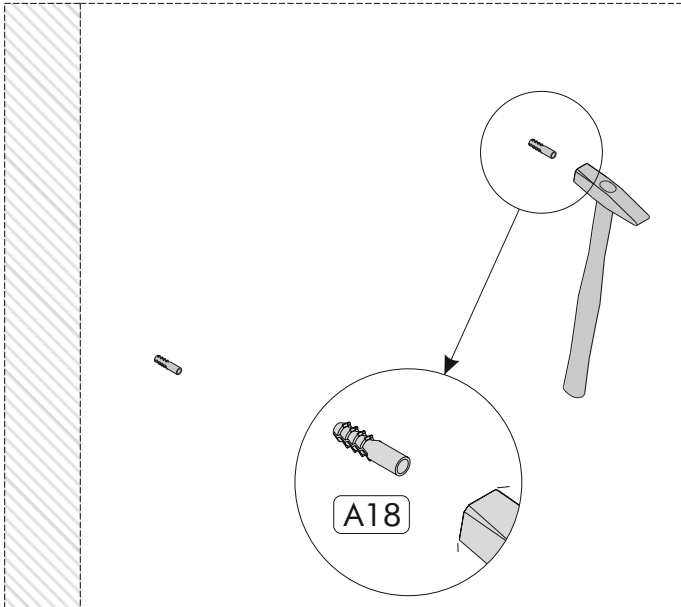
07



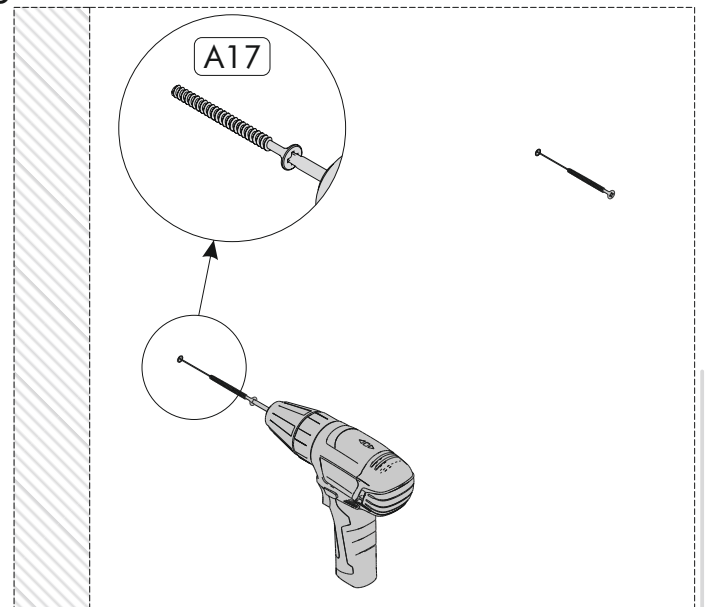
08



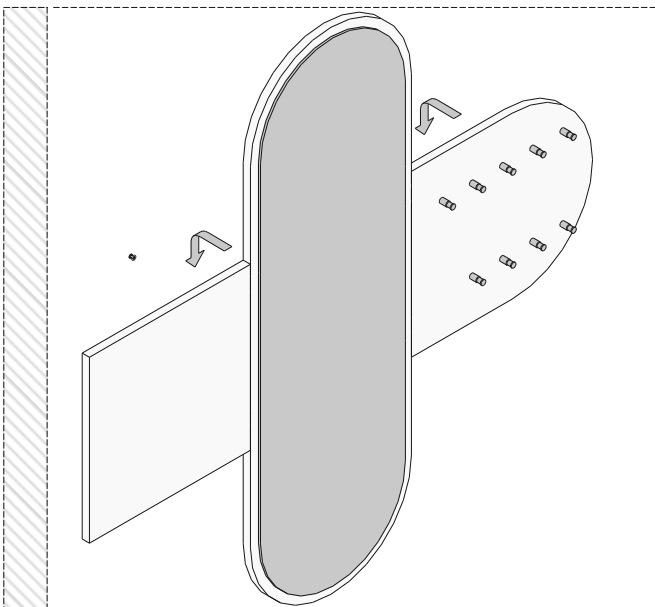
09



10



11



12