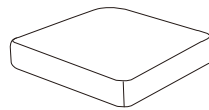
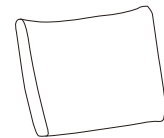


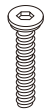
Ax1



Bx1



Cx1



Dx2



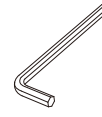
Ex2



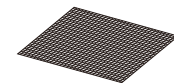
Fx2



Gx2



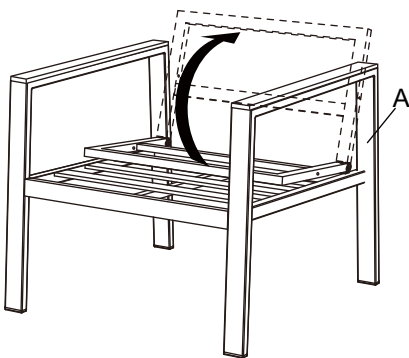
Hx1



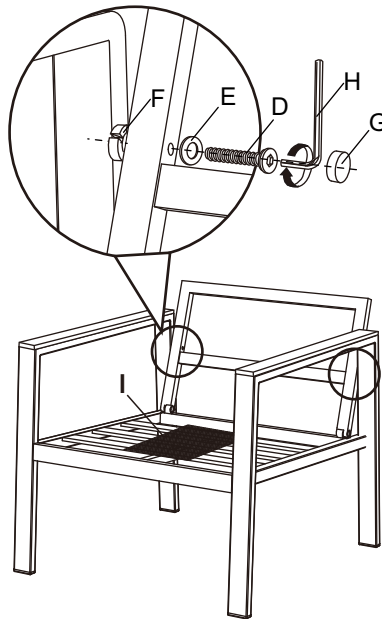
Non-slip mesh

I x1

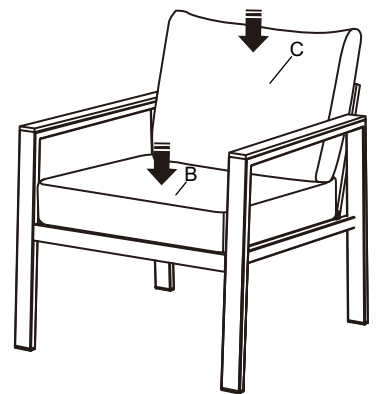
1

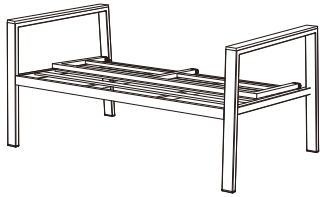
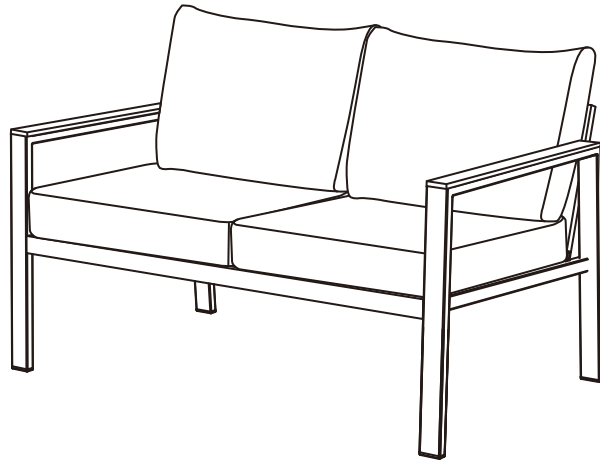


2

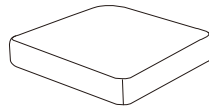


3

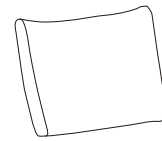




A1x1



Bx2



Cx2



Dx2



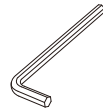
Ex2



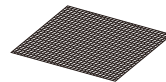
Fx2



Gx2



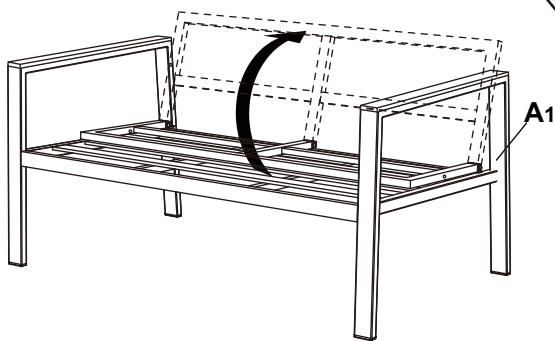
Hx1



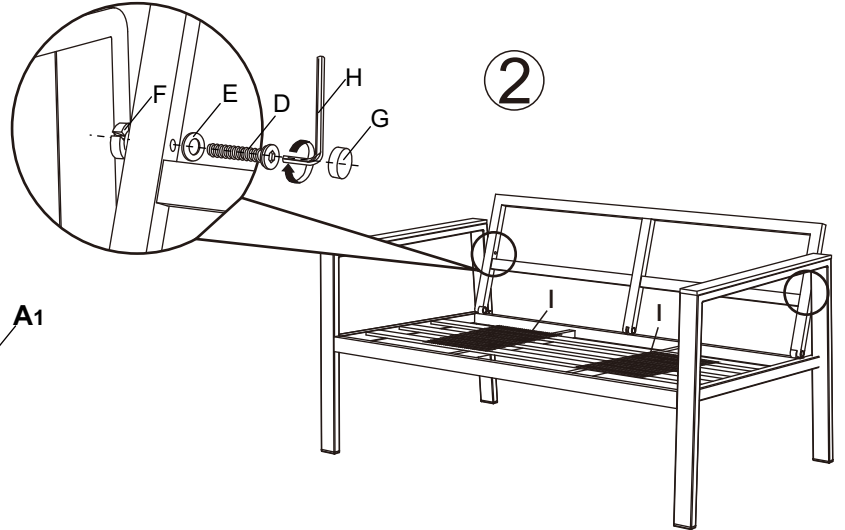
Non-slip mesh

Ix2

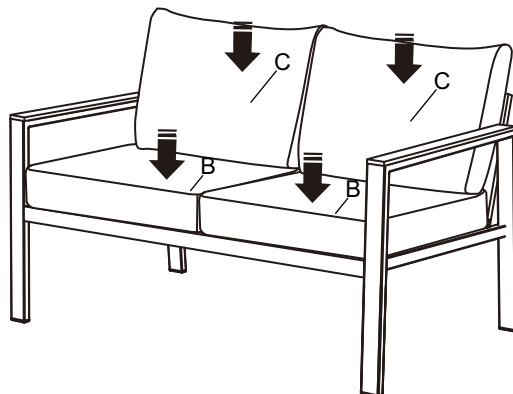
①

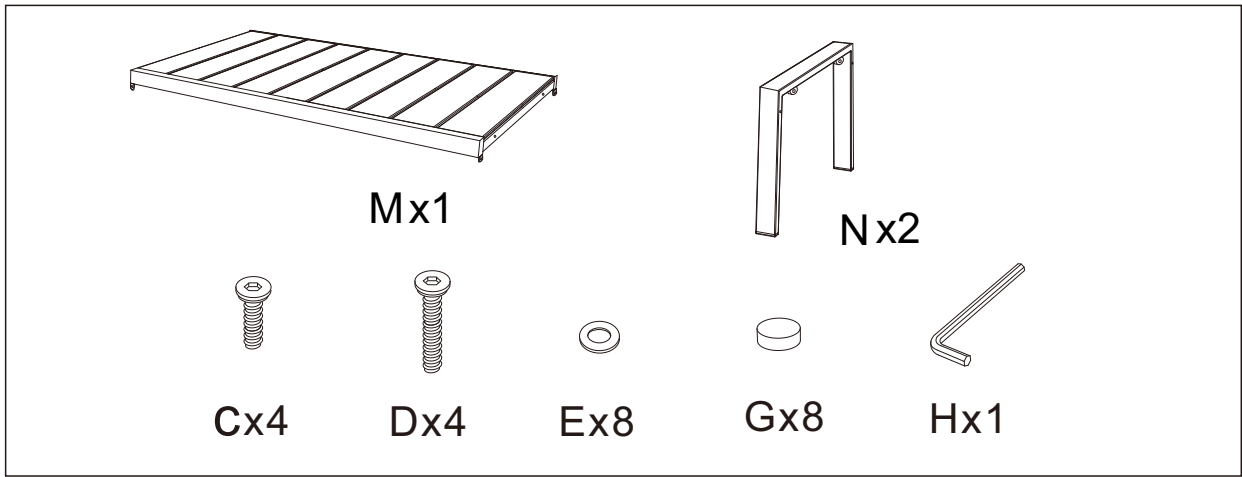
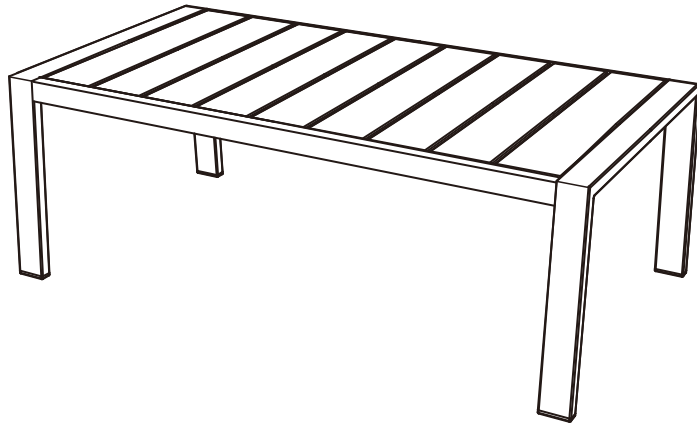


②

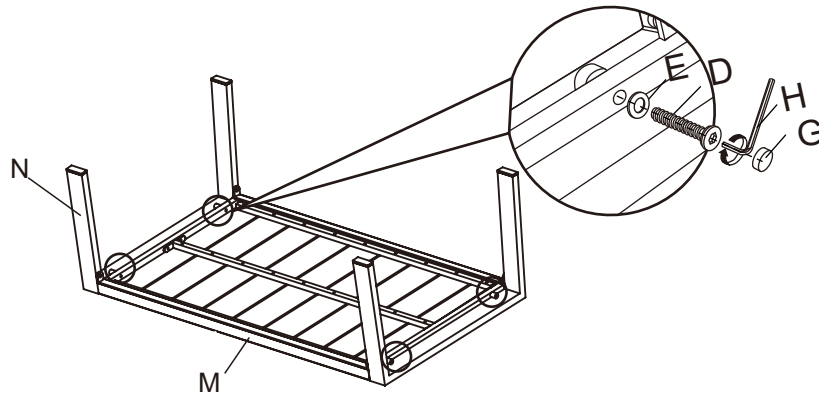


③





1



2

