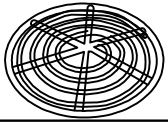


ASSEMBLING INSTRUCTION

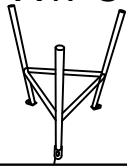
1 X1PC



2 X1PC



3 X1PC



A X4PCS



B X4PCS



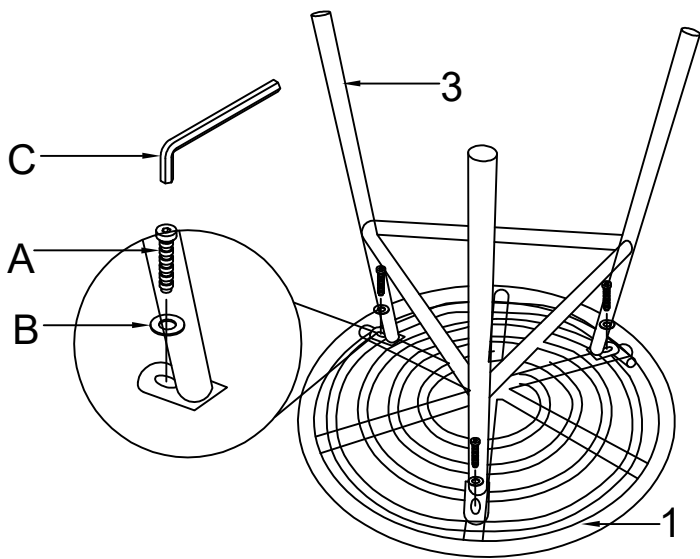
C X1PC



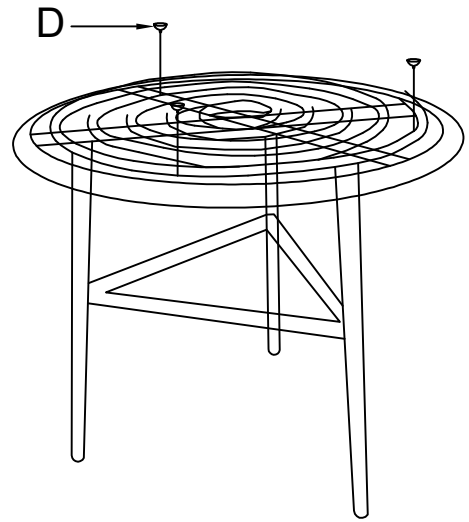
D X4PCS



1



2



3

