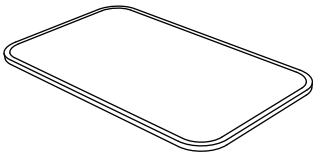

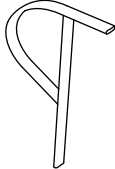
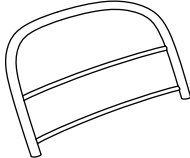
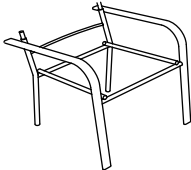
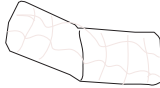

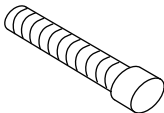

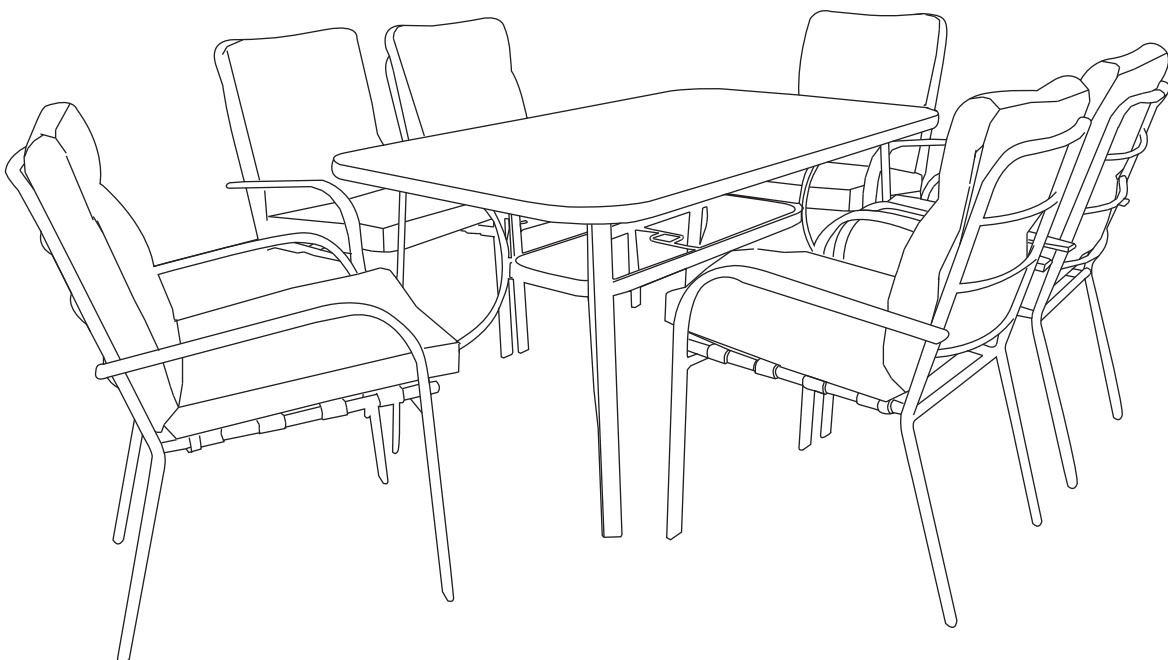
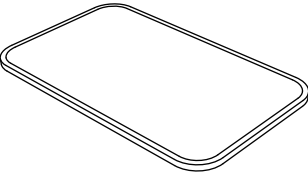

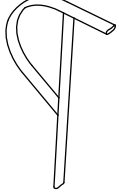
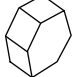

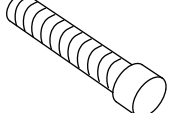


ASSEMBLY INSTRUCTION

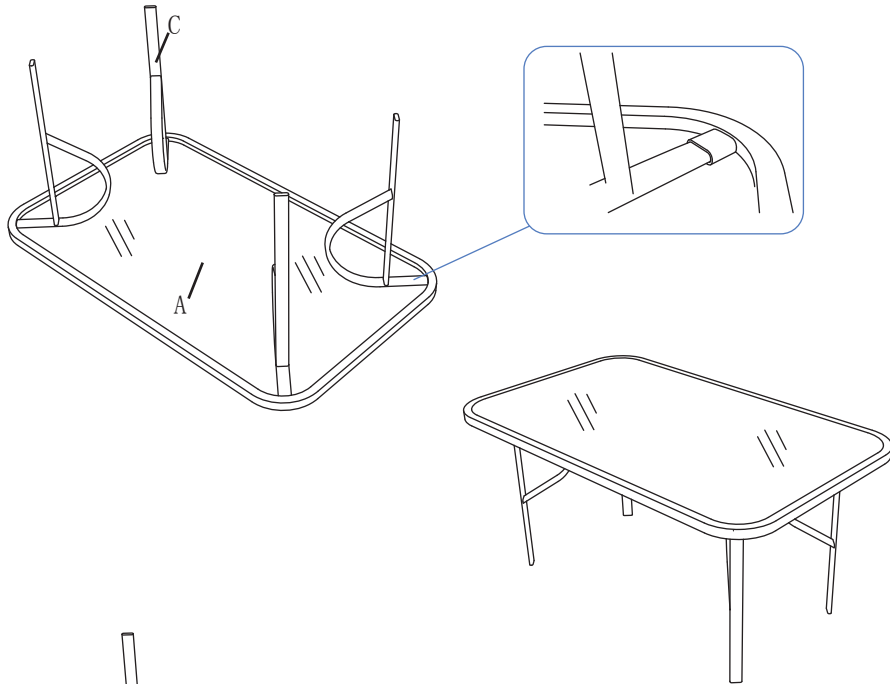
| | | | | | |
|----|---|---|----|--|---|
| A |  | 1 | B |  | 1 |
| C |  | 4 | D |  | 6 |
| E |  | 6 | F |  | 6 |
| aa |  | 8 | bb |  | 8 |
| cc |  | 8 | | | |

Important Tip: please fix the screws at right positions first and keep them loose, then tighten the screws one by one, this would help your assembly.

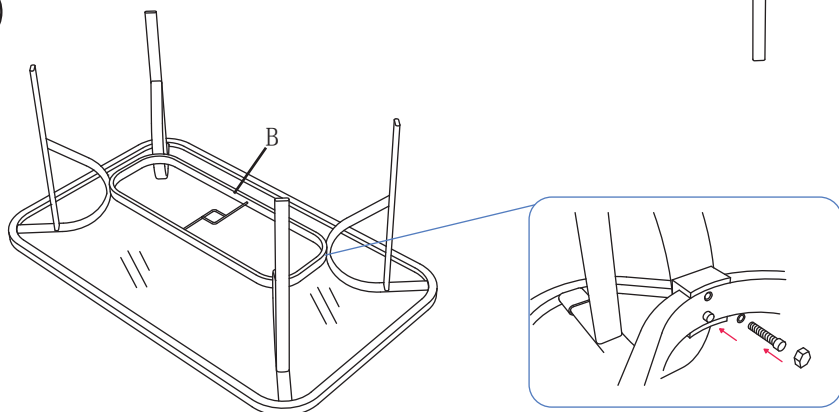


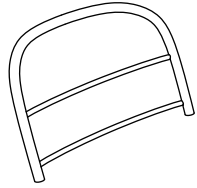
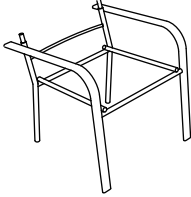
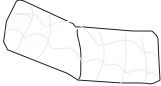
| | | | | | |
|----|---|---|----|---|---|
| A |  | 1 | B |  | 1 |
| C |  | 4 | cc |  | 8 |
| aa |  | 8 | bb |  | 8 |

①



②



| | | | | | |
|---|---|---|---|---|---|
| D |  | 1 | E |  | 1 |
| F |  | 1 | | | |

