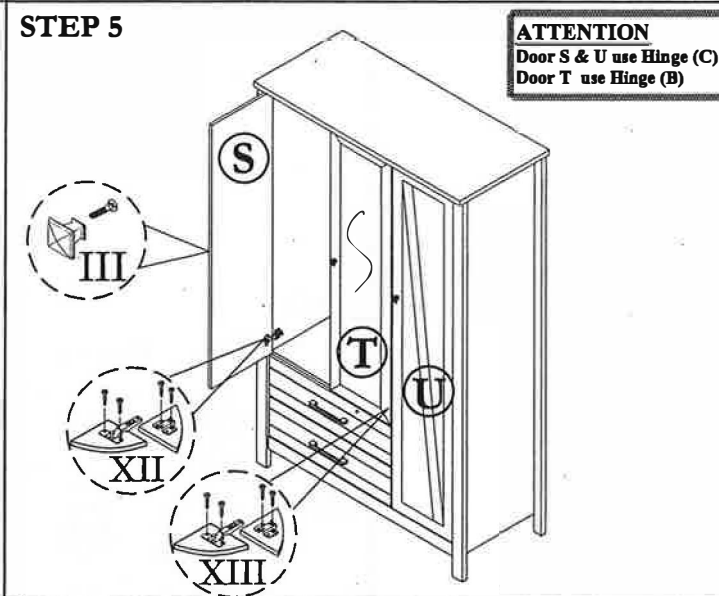
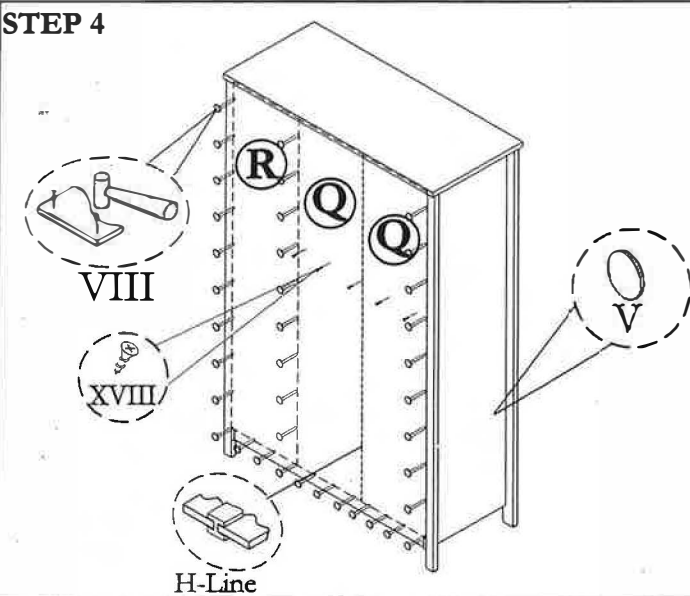
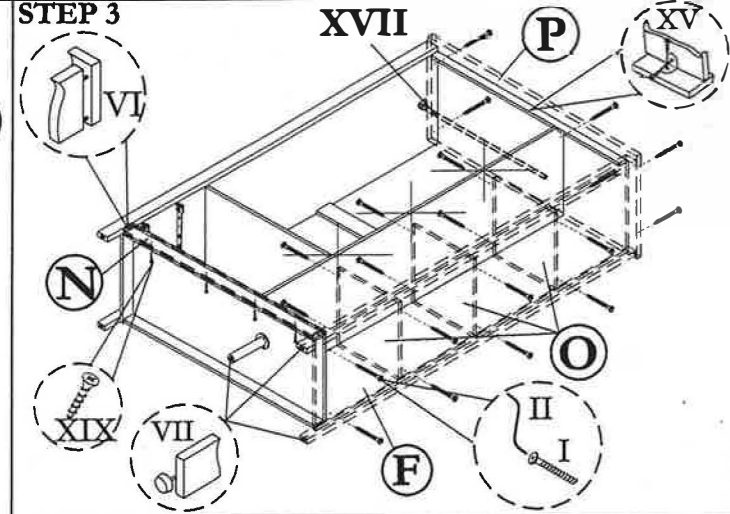
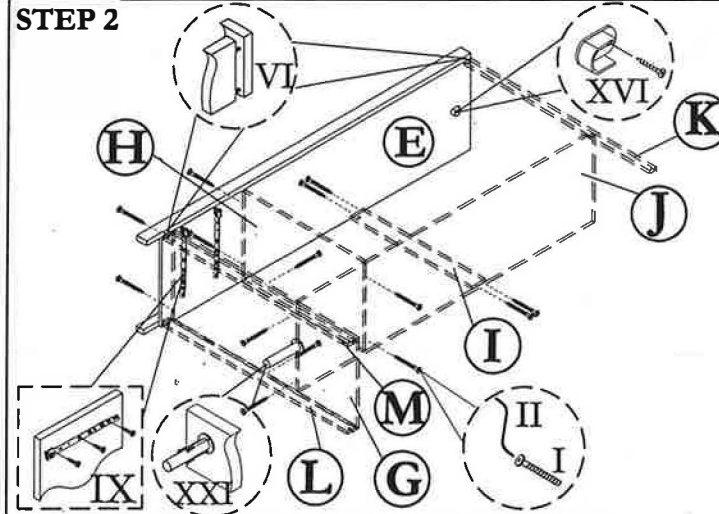
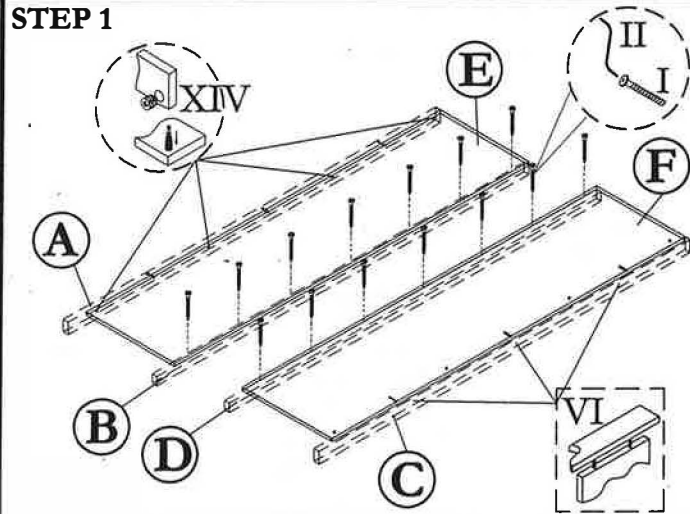


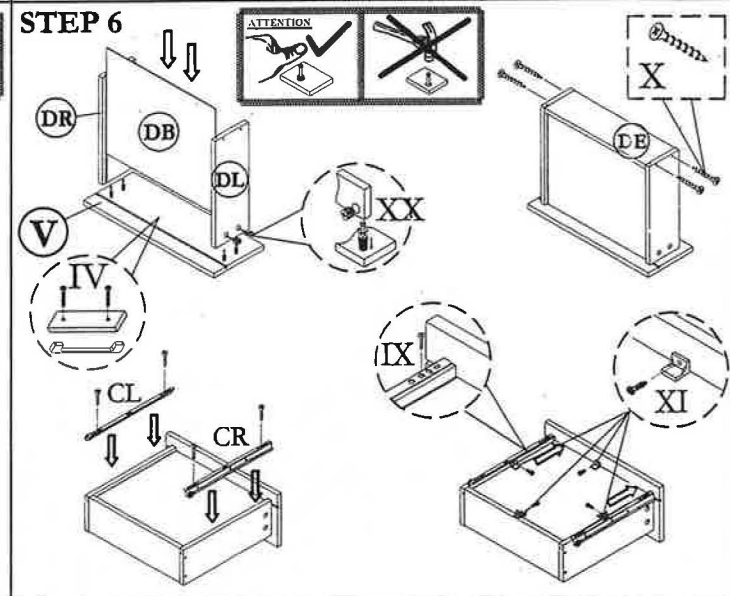
ASSEMBLY INSTRUCTION
MODEL : 9350M / WARDROBE

pake world 123-000171

Before you begin, please follow assembly instruction carefully.
 Then follow them step by step.



ATTENTION
 Door S & U use Hinge (C)
 Door T use Hinge (B)



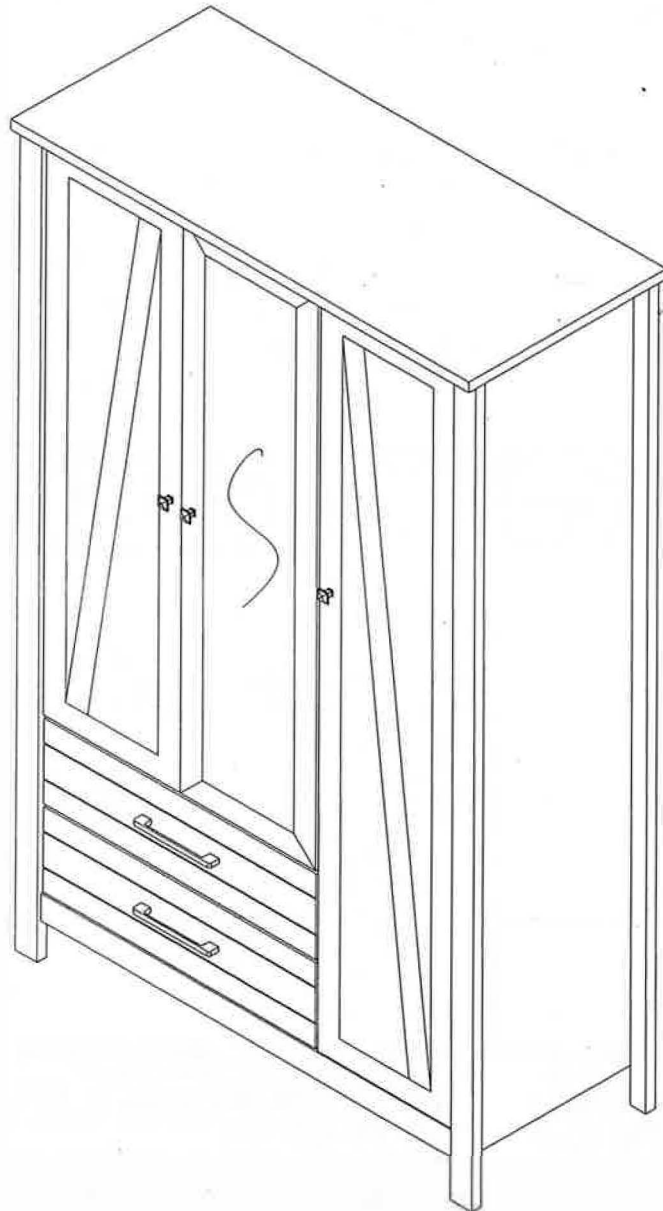
HARDWARE LIST			
NO	DESCRIPTION		QTY
I	JCBCW SCREW M6.3 x 50		48pcs
II	M4 ALLEN KEY		1pc
III	HANDLE & SCREW M4 x 22		3sets
IV	HANDLE & SCREW M4 x 22		2sets
V	STICKER		14pcs
VI	M8 x 30 DOWEL		20pcs

VII	PVC NAIL WITH PIN		5pcs
VIII	NAIL		70pcs
IX	14" DRAWER SLIDER & SCREW M3.5 x 12		2sets
X	M8 X 32 CHIPBOARD SCREW		8pcs
XI	DRAWER SUPPORT & SCREW M3.5 x 12		8sets
XII	HINGES (C) & SCREW M3.5 x 16		5sets
XIII	HINGES (B) & SCREW M3.5 x 16		2sets
XIV	Q-FIT (small)		8sets

XV	L BRACKET & SCREW M3.5 x 12		1sets
XVI	PIPE SUPPORT & SCREW M3.5 x 16		2sets
XVII	PIPE SIZE : 27 1/8"		1pc
XVIII	M3.5 x 12 CHIPBOARD SCREW		5pcs
XIX	M4 x 25 CHIPBOARD SCREW		4pcs
XX	Q-FIT		8sets
XXI	150mm PLASTIC LEG & SCREW M3.5 x 16		1sets

CAUTION:

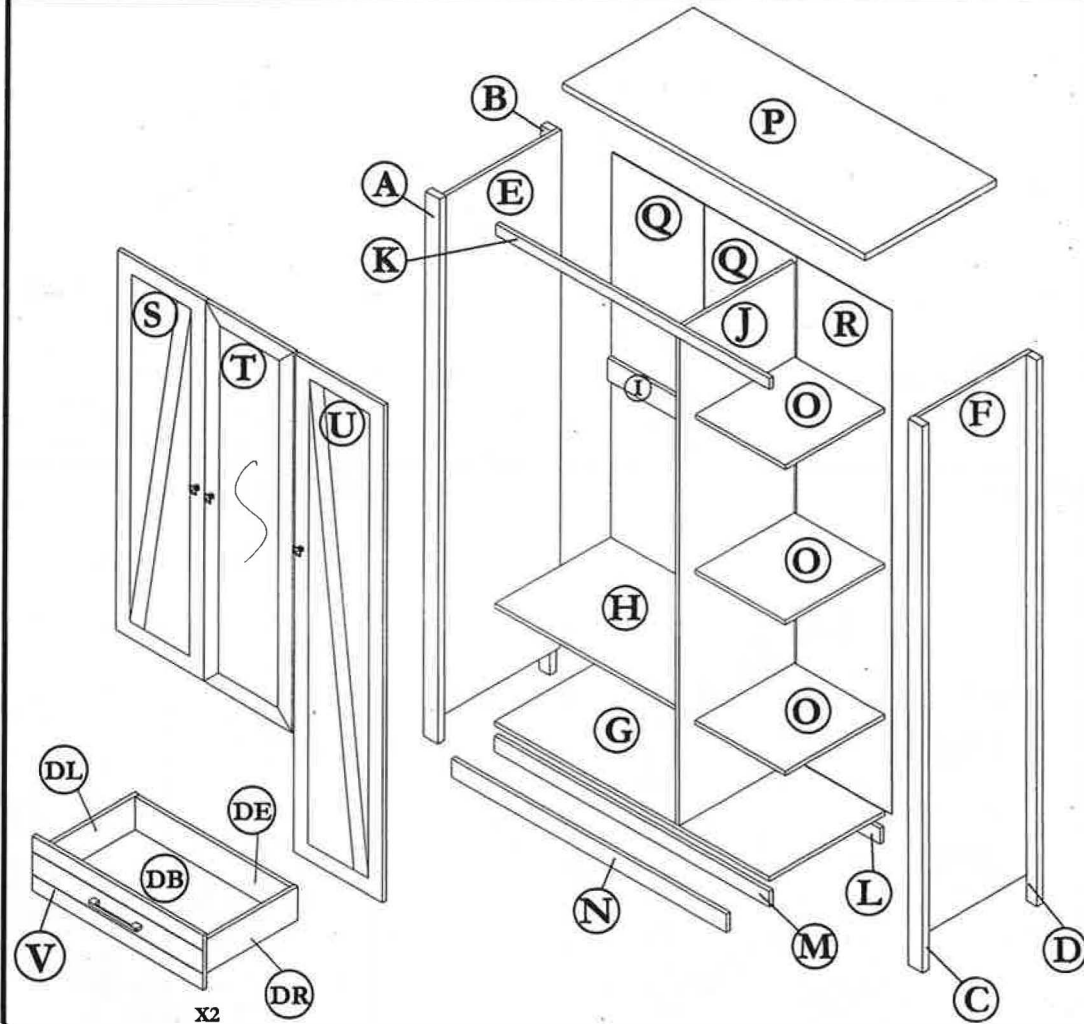
To clean use soft, dry cloth. Do not use detergent or chemicals
Avoid contact with water and direct sunlight.
To be assembled on a soft, dry, clean and smooth surface.



COMPLETE SET

ORDERING REPAIR PARTS

In order to obtain smooth and rapid service when ordering repair parts, please give full attention to the following of PART NUMBER.



NO	DESCRIPTION	QTY
A	LEFT SIDE WRAPPING (Front)	01
B	LEFT SIDE WRAPPING (Back)	01
C	RIGHT SIDE WRAPPING (Front)	01
D	RIGHT SIDE WRAPPING (Back)	01
E	LEFT SIDE	01
F	RIGHT SIDE	01
G	LOWER SHELF	01
H	CENTRE SHELF	01
I	BACK SUPPORT	01

NO	DESCRIPTION	QTY
J	CENTRE VERTICAL	01
K	TOP SUPPORT	01
L	LEG (Back)	01
M	LEG (Front)	01
N	LEG DECORATIVE	01
O	CENTRE SHELF	03
P	TOP	01
Q	BACK (Left/Centre)	02
R	BACK (Right)	01

NO	DESCRIPTION	QTY
S	LEFT SIDE DOOR	01
T	CENTRE DOOR	01
U	RIGHT SIDE DOOR	01
V	DRAWER FACE	02
DL	DRAWER SIDE (Left)	02
DR	DRAWER SIDE (Right)	02
DB	DRAWER BASE	02
DE	DRAWER END	02