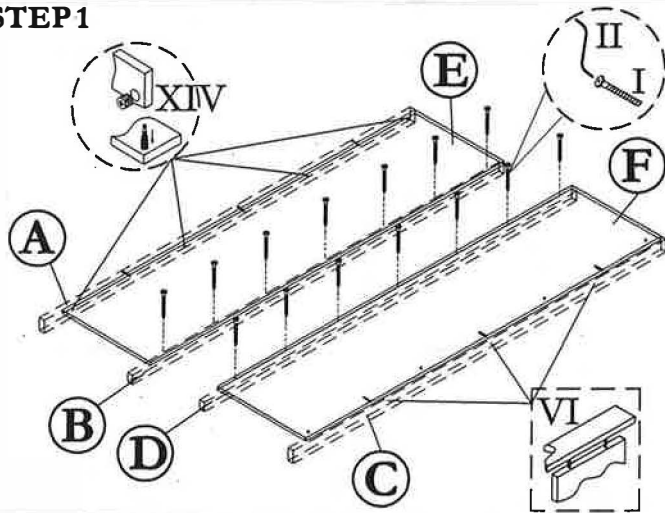


ASSEMBLY INSTRUCTION
MODEL : 9348 M / WARDROBE

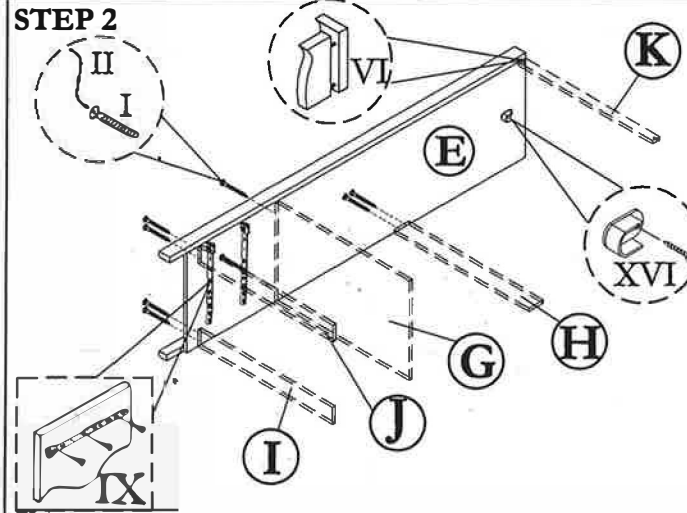
pake^{world} 123-000170

Before you begin, please follow assembly instruction carefully.
 Then follow them step by step.

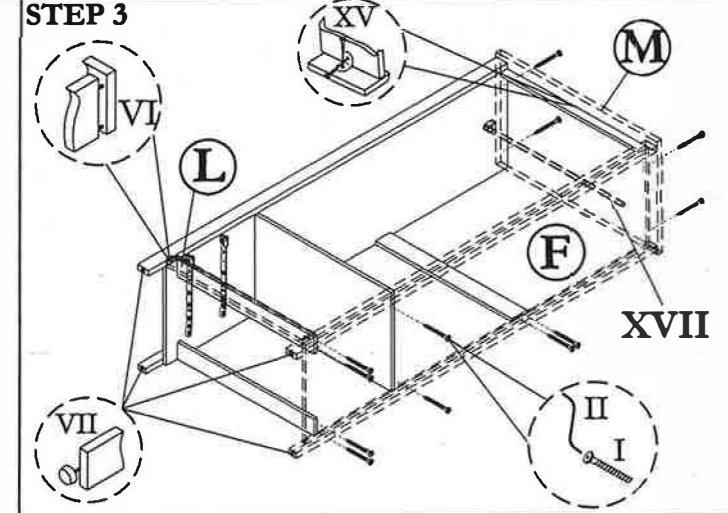
STEP 1



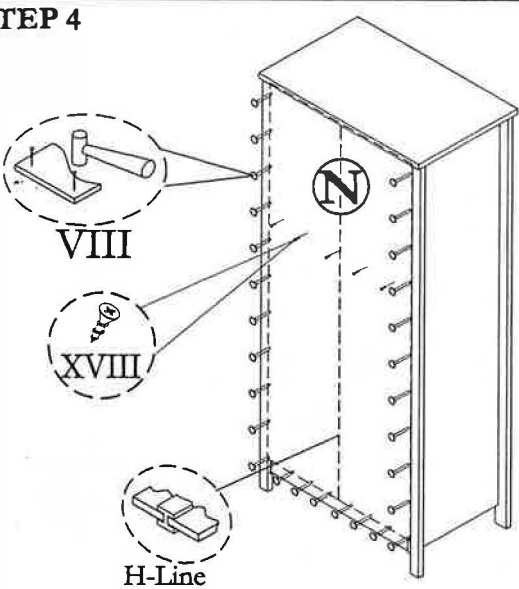
STEP 2



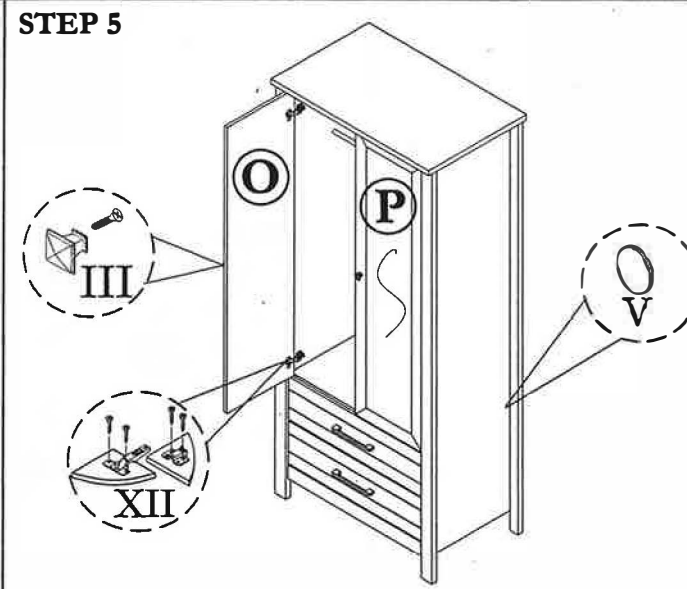
STEP 3



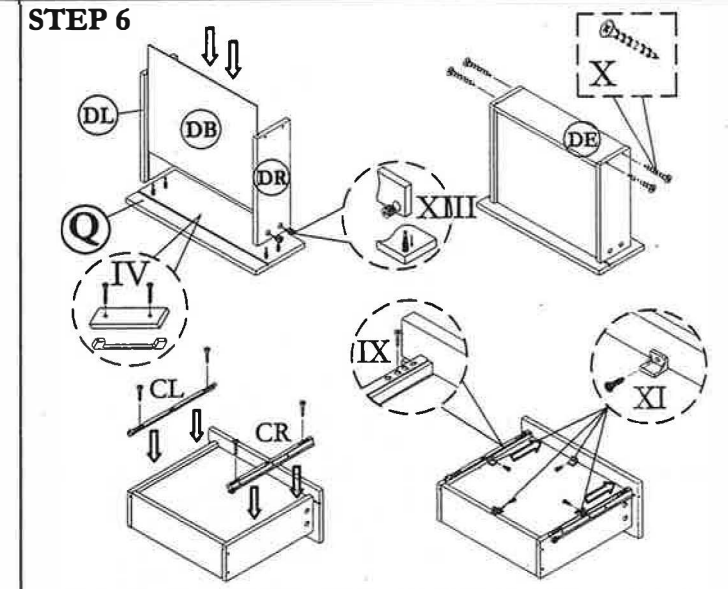
STEP 4



STEP 5



STEP 6



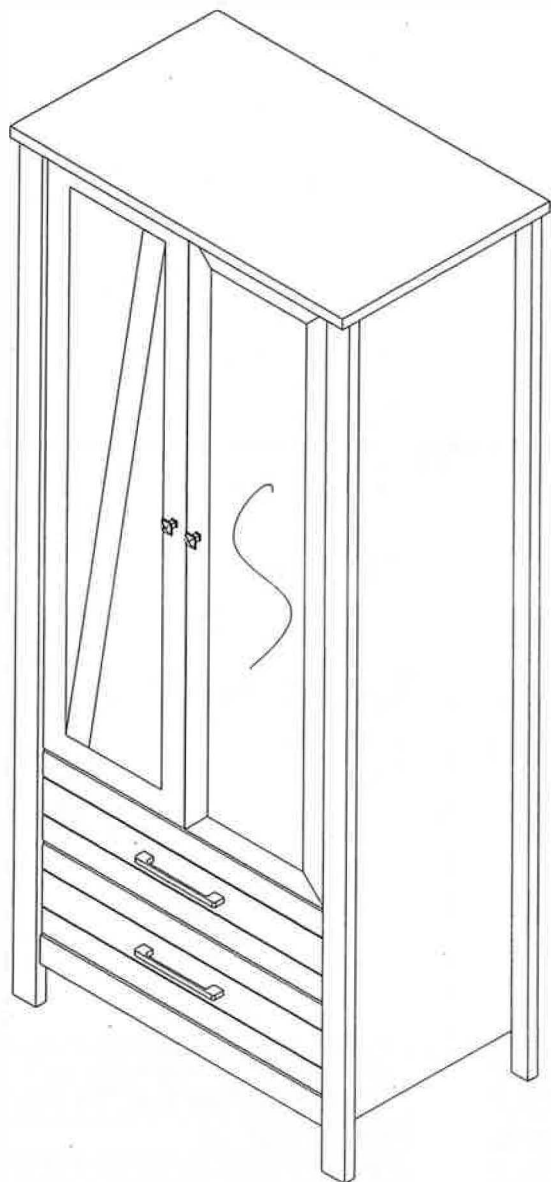
HARDWARE LIST			
NO	DESCRIPTION		QTY
I	JCBCW SCREW M6.3 x 50		34pcs
II	M4 ALLEN KEY		1pc
III	HANDLE & SCREW M4 x 22		2sets
IV	HANDLE & SCREW M4 x 22		2sets
V	STICKER		16pcs
VI	M8 x 30 DOWEL		12pcs

VII	PVC NAIL WITH PIN		4pcs
VIII	NAIL		50pcs
IX	14" DRAWER SLIDER & SCREW M3.5 x 12		2sets
X	M8 X 32 CHIPBOARD SCREW		8pcs
XI	DRAWER SUPPORT & SCREW M3.5 x 12		8sets
XII	HINGES (C) & SCREW M3.5 x 16		4sets
XIII	Q-FIT		8sets
XIV	Q-FIT (small)		8sets

XV	L BRACKET & SCREW M3.5 x 12		1sets
XVI	PIPE SUPPORT & SCREW M3.5 x 16		2sets
XVII	PIPE SIZE : 28"		1pc
XVIII	M3.5 x 12 CHIPBOARD SCREW		5pcs

CAUTION:

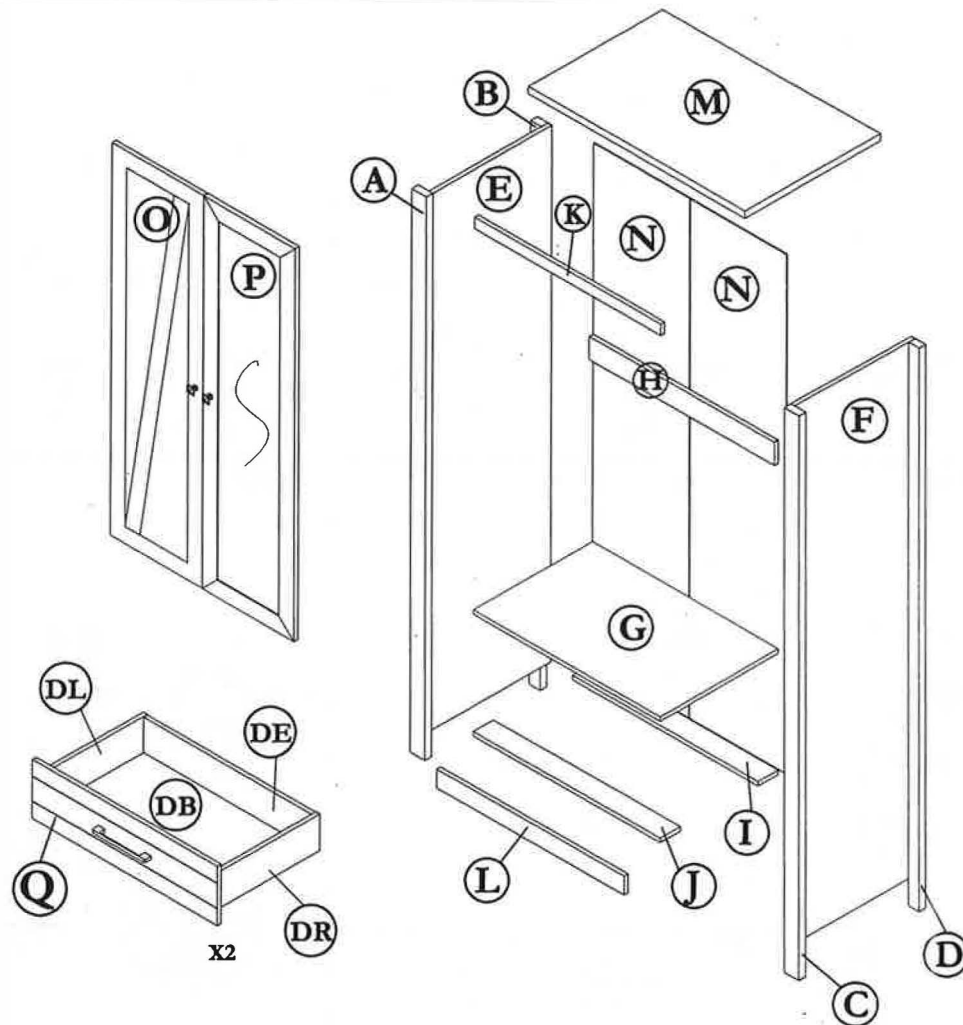
To clean use soft, dry cloth. Do not use detergent or chemicals
Avoid contact with water and direct sunlight.
To be assembled on a soft, dry, clean and smooth surface.



COMPLETE SET

ORDERING REPAIR PARTS

In order to obtain smooth and rapid service when ordering repair parts,
please give full attention to the following of PART NUMBER.



NO	DESCRIPTION	QTY
A	LEFT SIDE WRAPPING (Front)	01
B	LEFT SIDE WRAPPING (Back)	01
C	RIGHT SIDE WRAPPING (Front)	01
D	RIGHT SIDE WRAPPING (Back)	01
E	LEFT SIDE	01
F	RIGHT SIDE	01
G	CENTRE SHELF	01
H	BACK SUPPORT	01
I	LOWER SHELF (Back)	01

NO	DESCRIPTION	QTY
J	LOWER SHELF (Front)	01
K	TOP SUPPORT	01
L	LEG DECORATIVE	01
M	TOP	01
N	BACK	02
O	LEFT SIDE DOOR	01
P	RIGHT SIDE DOOR	01
Q	DRAWER FACE	02

NO	DESCRIPTION	QTY
DL	DRAWER SIDE (Left)	02
DR	DRAWER SIDE (Right)	02
DB	DRAWER BASE	02
DE	DRAWER END	02