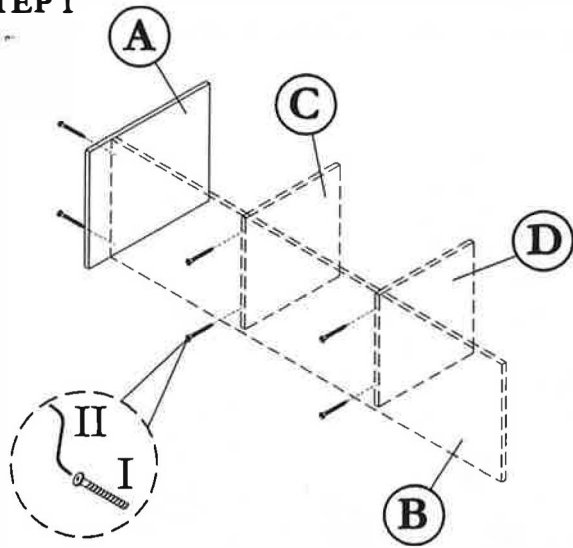


ASSEMBLY INSTRUCTION
MODEL : 8274 / TV CABINET

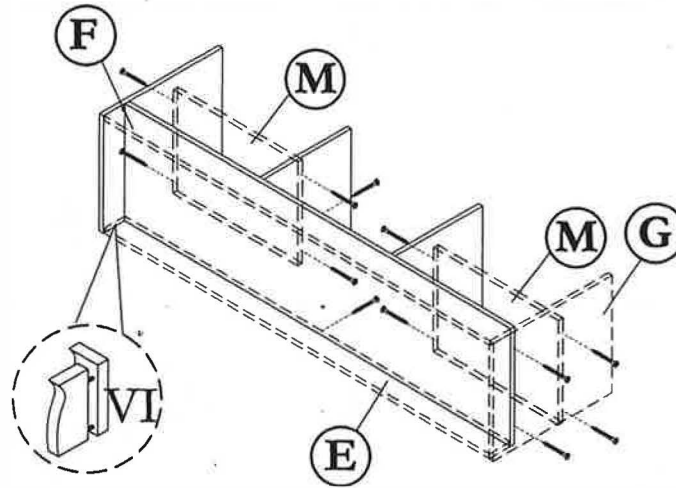
pa^{world}ko 123-000168

Before you begin, please follow assembly instruction carefully.
 Then follow them step by step.

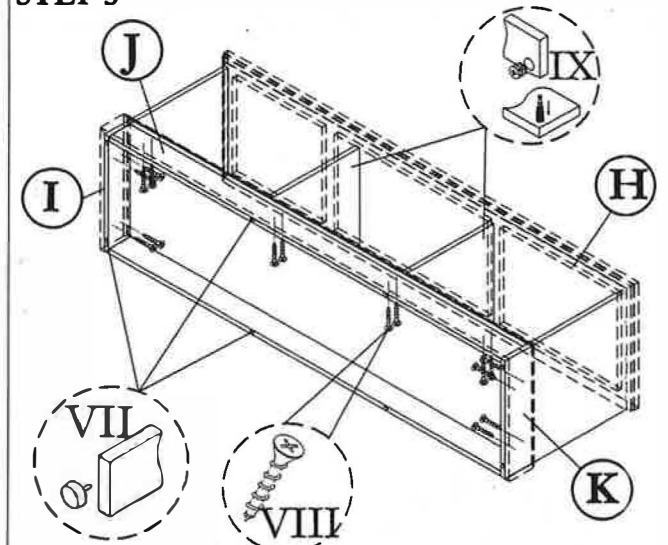
STEP 1



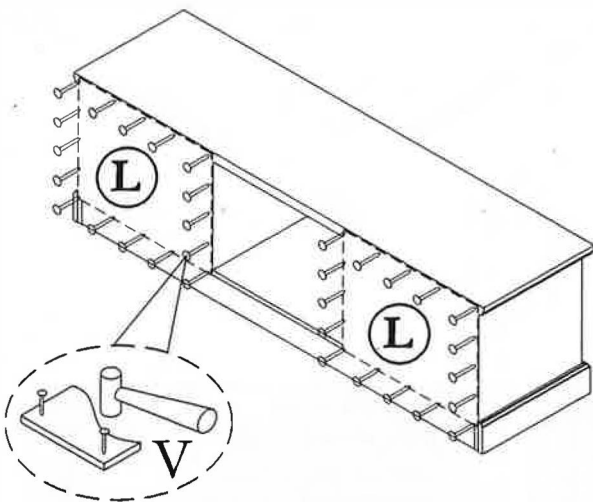
STEP 2



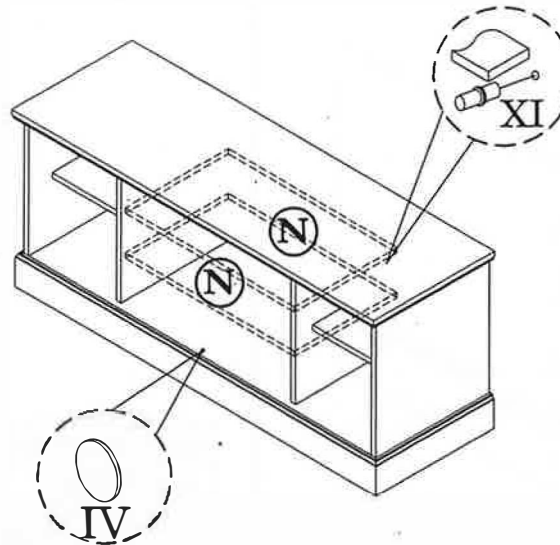
STEP 3



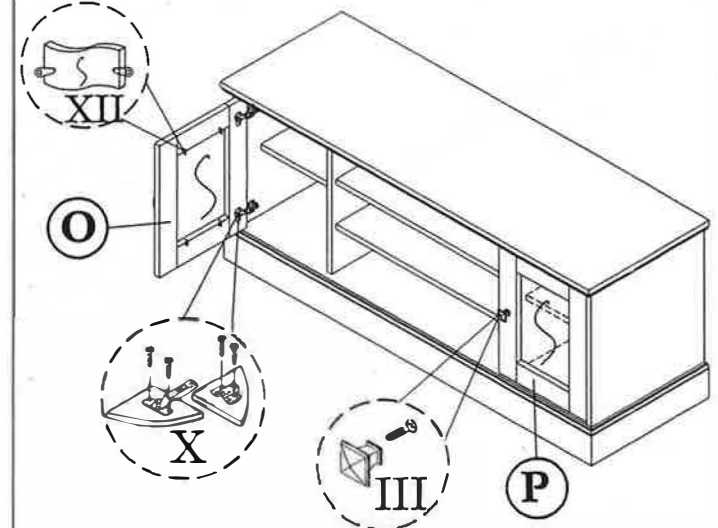
STEP 4



STEP 5



STEP 6



HARDWARE LIST			
NO	DESCRIPTION		QTY
I	JCBCW SCREW M6.3 x 50		18pcs
II	M4 ALLEN KEY		1pc
III	HANDLE & SCREW M4 x 22		2sets
IV	STICKER		6pcs

V	NAIL		40pcs
VI	M8 x 30 DOWEL		8pcs
VII	PVC NAIL WITH PIN		8pcs
VIII	M4 x 25 CHIPBOARD SCREW		16pcs
IX	Q-FIT		8sets
X	HINGES (C) & SCREW M3.5 x 16		4sets

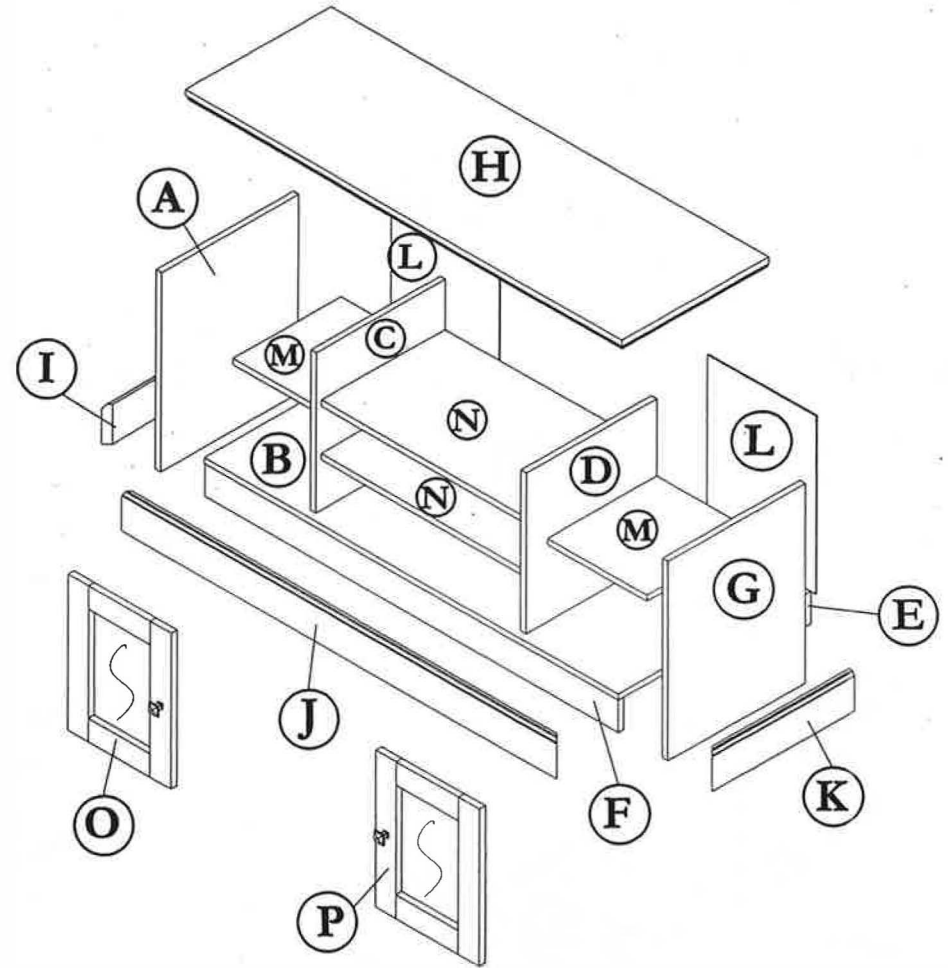
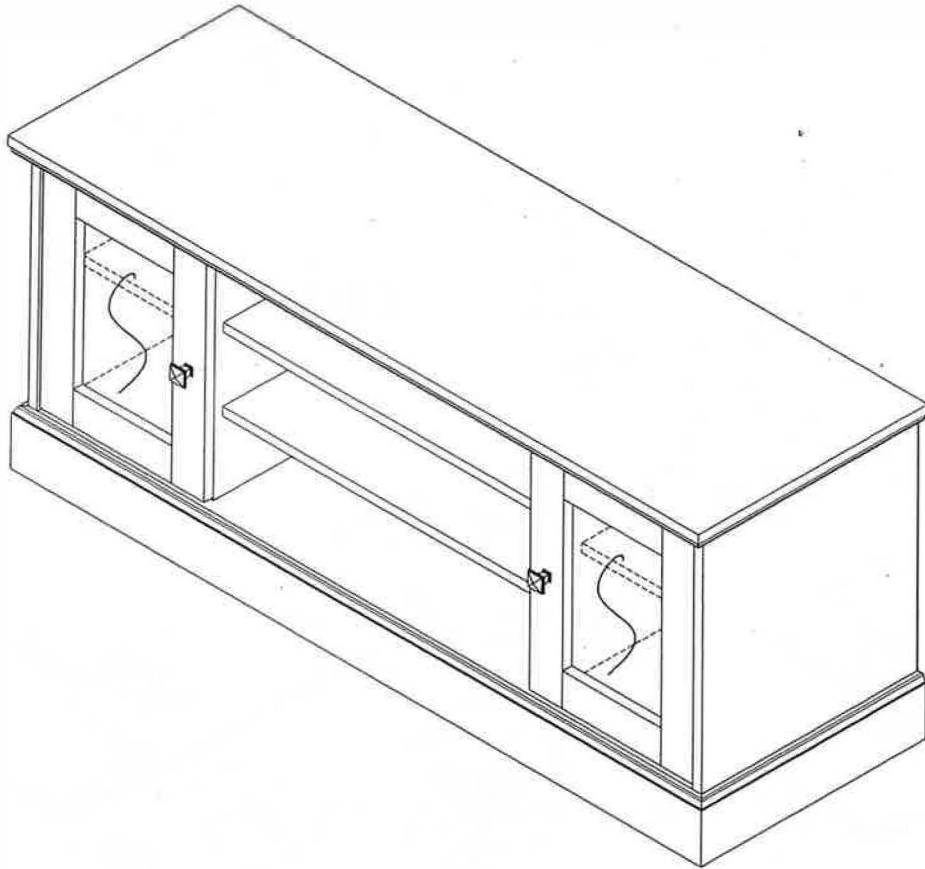
XI	SHLEF SUPPORT		8pcs
XII	PE CLIP & SCREW M3.5 X 16		8sets

CAUTION:

To clean use soft, dry cloth. Do not use detergent or chemicals
Avoid contact with water and direct sunlight.
To be assembled on a soft, dry, clean and smooth surface.

ORDERING REPAIR PARTS

In order to obtain smooth and rapid service when ordering repair parts,
please give full attention to the following of PART NUMBER.



COMPLETE SET

NO	DESCRIPTION	QTY
A	LEFT SIDE	01
B	LOWER SHELF	01
C	CENTRE VERTICAL	01
D	CENTRE VERTICAL	01
E	LEG (Back)	01
F	LEG (Front)	01
G	RIGHT SIDE	01
H	TOP	01

NO	DESCRIPTION	QTY
I	WRAPPING (Left)	01
J	WRAPPING (Front)	01
K	WRAPPING (Right)	01
L	BACK	02
M	CENTRE SHELF	02
N	MOVABLE SHELF (Centre)	02
O	LEFT SIDE DOOR	01
P	RIGHT SIDE DOOR	01