

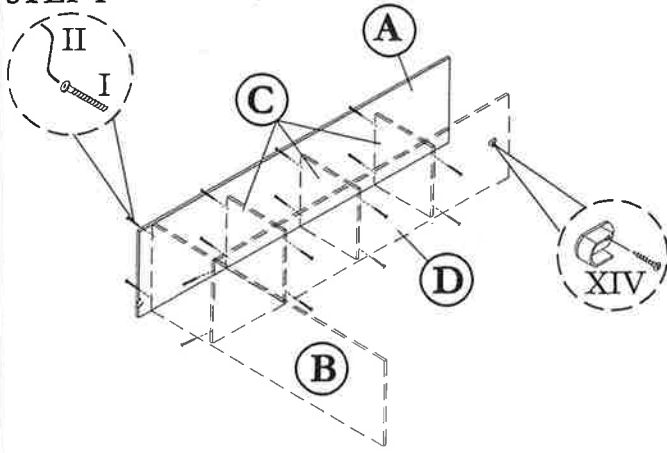
ASSEMBLY INSTRUCTION

MODEL : / WARDROBE

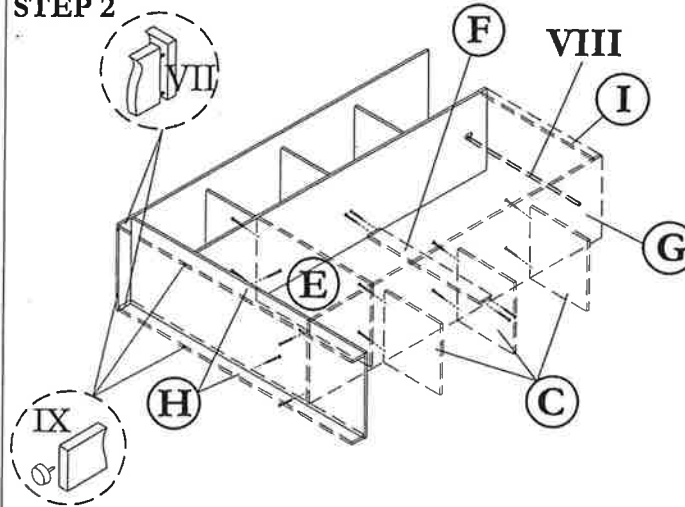
123-000135

Before you begin, please follow assembly instruction carefully.
Then follow them step by step.

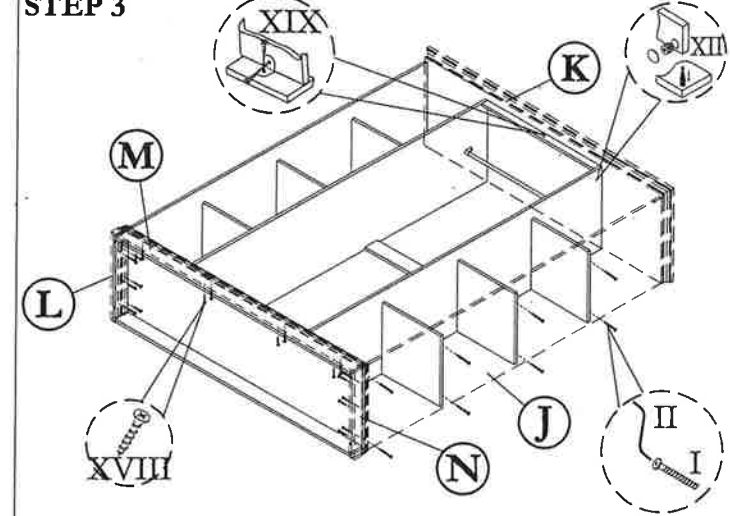
STEP 1



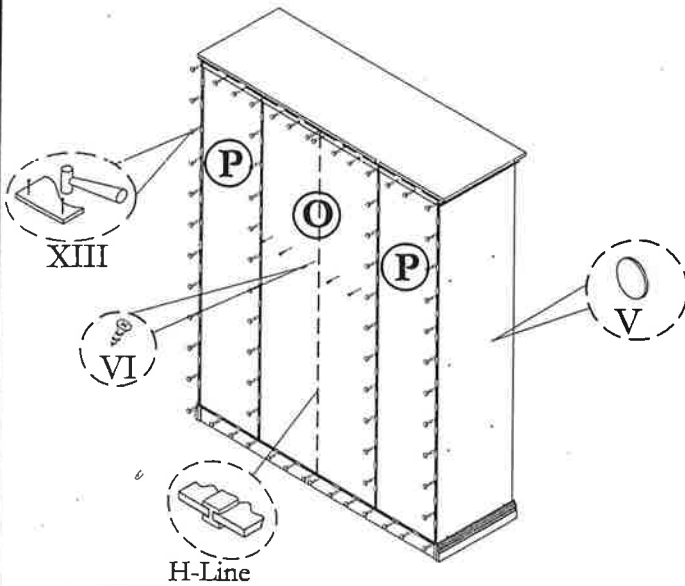
STEP 2



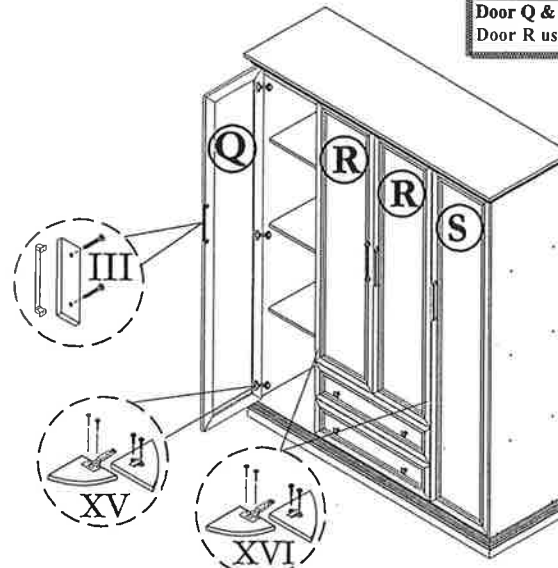
STEP 3



STEP 4

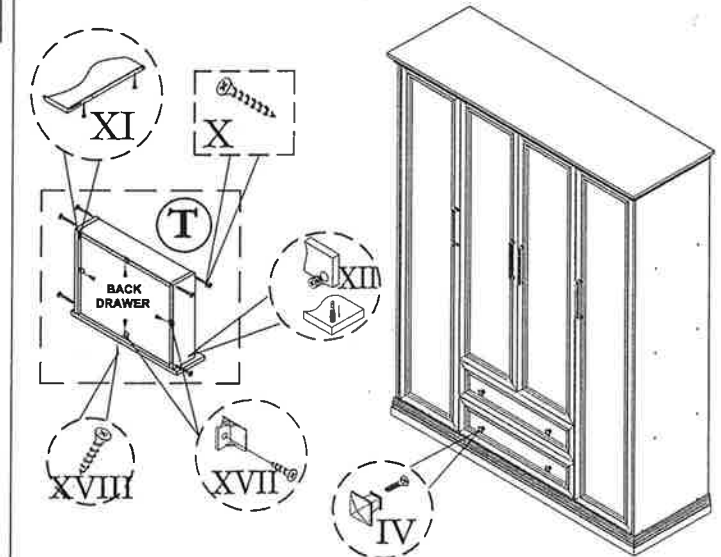


STEP 5



ATTENTION
Door Q & S use Hinge (C)
Door R use Hinge (B)

STEP 6



HARDWARE LIST

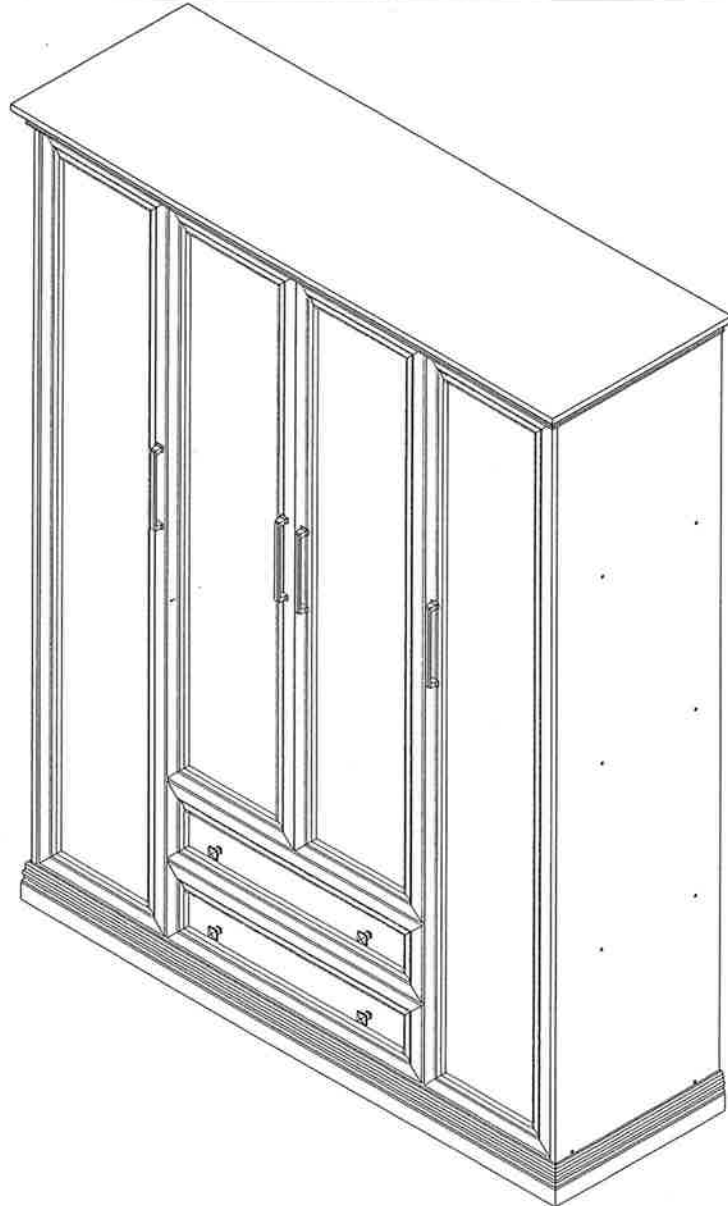
| NO | DESCRIPTION | QTY |
|-----|------------------------|-------|
| I | JCBCW SCREW M6 x 45 | 42pcs |
| II | M4 ALLEN KEY | 1pc |
| III | HANDLE & SCREW M4 x 22 | 4sets |
| IV | HANDLE & SCREW M4 x 12 | 4sets |
| V | STICKER | 16pcs |

| | | |
|------|-------------------------------------|--------|
| VI | M3.5 x 12 CHIPBOARD SCREW | 5pcs |
| VII | PLASTIC DOWEL | 10pcs |
| VIII | PIPE SIZE : 28 3/8" | 1pc |
| IX | PVC NAIL WITH PIN | 8pcs |
| X | M8 x 32 CHIPBOARD SCREW | 12pcs |
| XI | 14" DRAWER SLIDER & SCREW M3.5 x 12 | 2sets |
| XII | Q-FIT | 16sets |

| | | |
|-------|----------------------------------|--------|
| XIII | NAIL | 100pcs |
| XIV | PIPE SUPPORT & SCREW M3.5 x 16 | 2sets |
| XV | HINGE (C) & SCREW M3.5 x 16 | 6sets |
| XVI | HINGE (B) & SCREW M3.5 x 16 | 4sets |
| XVII | DRAWER SUPPORT & SCREW M3.5 x 12 | 8sets |
| XVIII | M4 x 25 CHIPBOARD SCREW | 22pcs |
| XIX | L BRACKET & SCREW M3.5 x 12 | 1sets |

CAUTION:

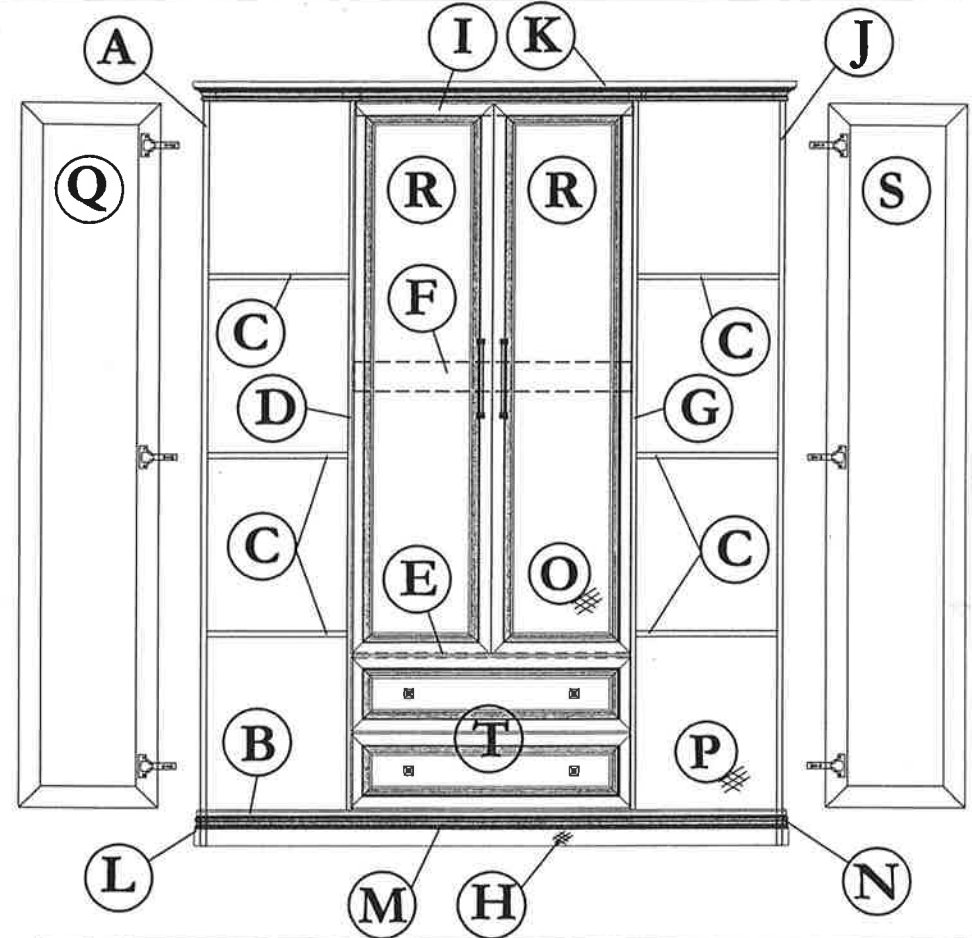
To clean use soft, dry cloth. Do not use detergent or chemicals
Avoid contact with water and direct sunlight.
To be assembled on a soft, dry, clean and smooth surface.



COMPLETE SET

ORDERING REPAIR PARTS

In order to obtain smooth and rapid service when ordering repair parts,
please give full attention to the following of PART NUMBER.



| NO | DESCRIPTION | QTY |
|----|-----------------|-----|
| A | LEFT SIDE | 01 |
| B | LOWER SHELF | 01 |
| C | CENTRE SHELF | 06 |
| D | CENTER VERTICAL | 01 |
| E | CENTRE SHELF | 01 |
| F | BACK SUPPORT | 01 |
| G | CENTER VERTICAL | 01 |
| H | LEG | 02 |
| I | TOP SUPPORT | 01 |
| J | RIGHT SIDE | 01 |

| | | |
|---|---------------------|----|
| K | TOP | 01 |
| L | LEFT SIDE WRAPPING | 01 |
| M | FRONT WRAPPING | 01 |
| N | RIGHT SIDE WRAPPING | 01 |
| O | BACK (Centre) | 02 |
| P | BACK (Left/Right) | 02 |
| Q | LEFT SIDE DOOR | 01 |
| R | DOOR (Centre) | 02 |
| S | RIGHT SIDE DOOR | 01 |
| T | DRAWER FACE | 02 |