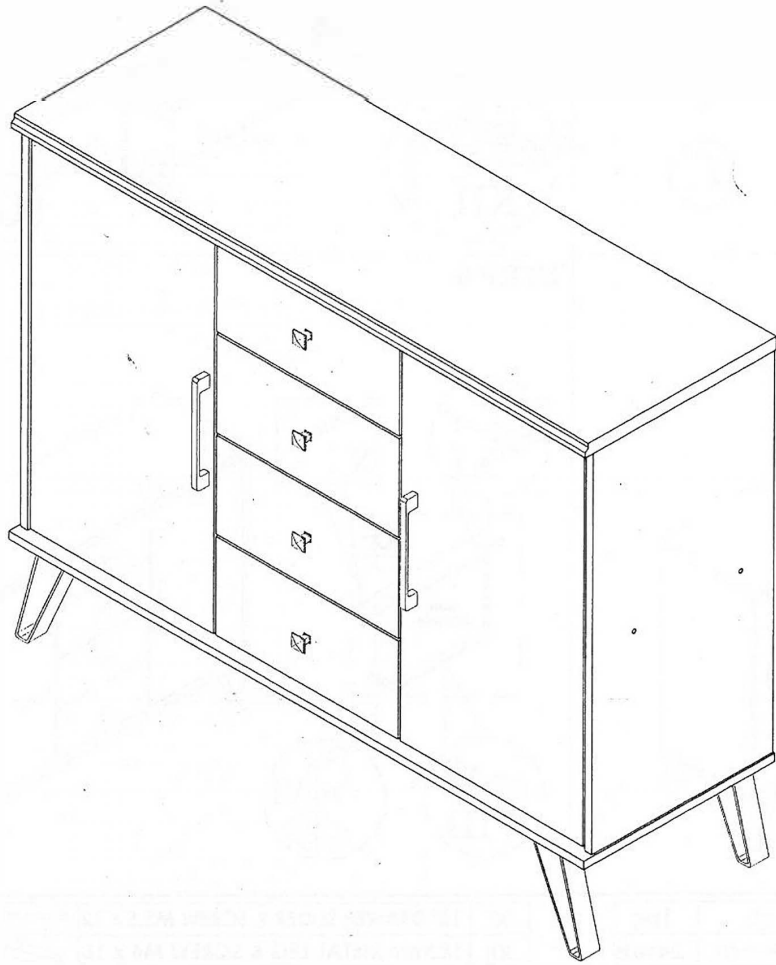


CAUTION:

To clean use soft, dry cloth. Do not use detergent or chemicals
Avoid contact with water and direct sunlight.
To be assembled on a soft, dry, clean and smooth surface.

world
pake

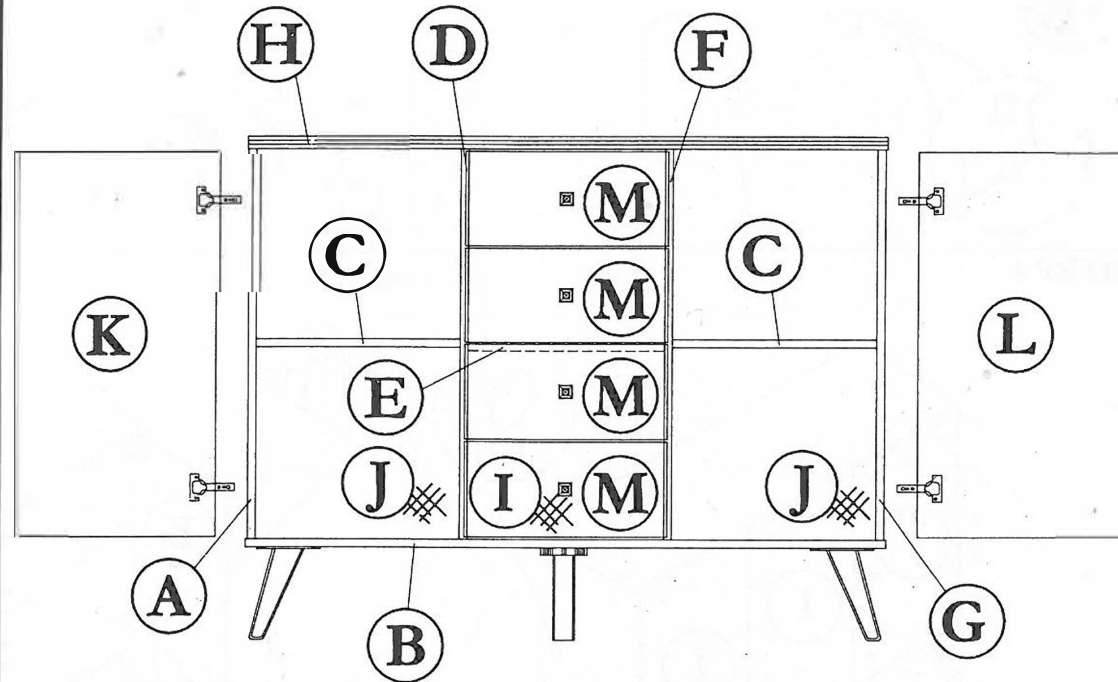
123-000107



COMPLETE SET

ORDERING REPAIR PARTS

In order to obtain smooth and rapid service when ordering repair parts,
please give full attention to the following of PART NUMBER.



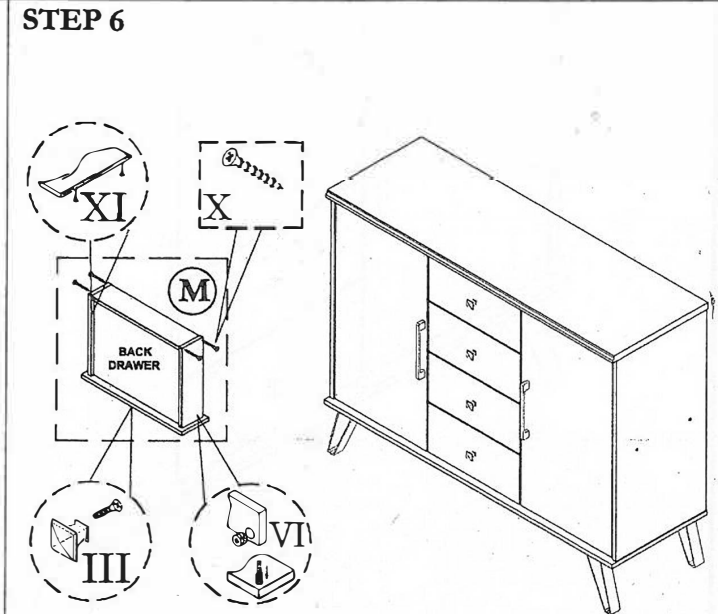
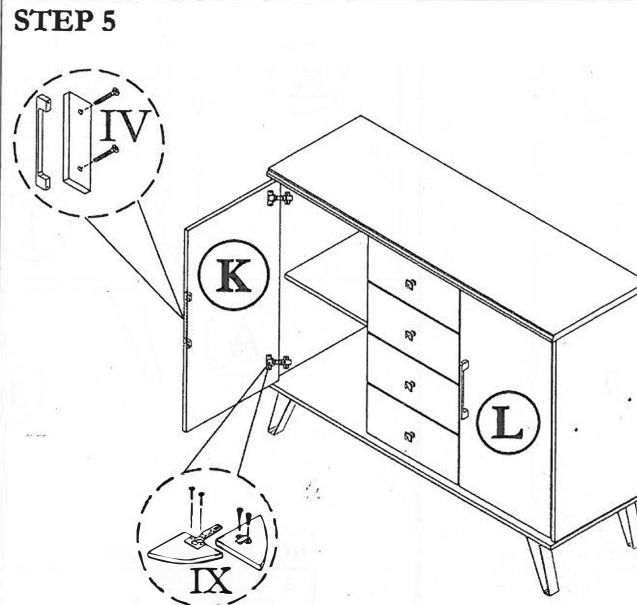
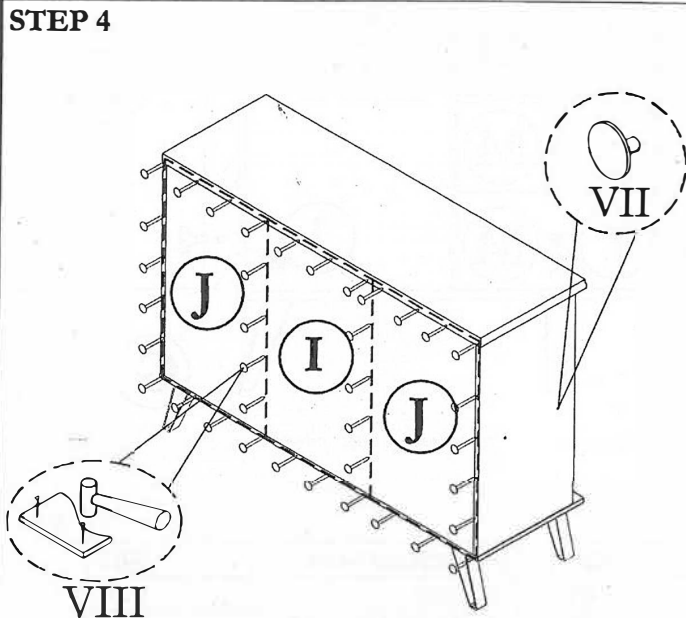
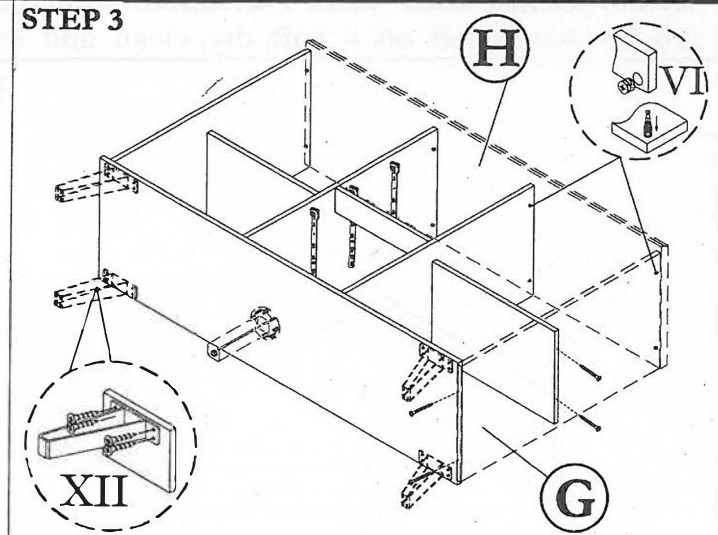
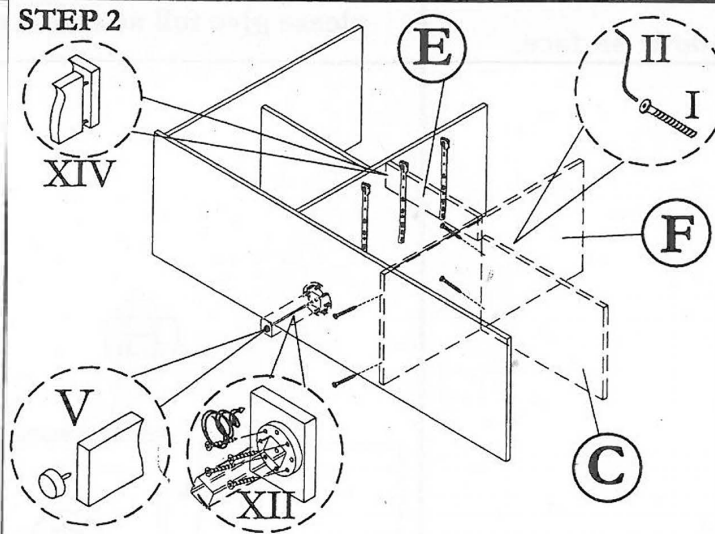
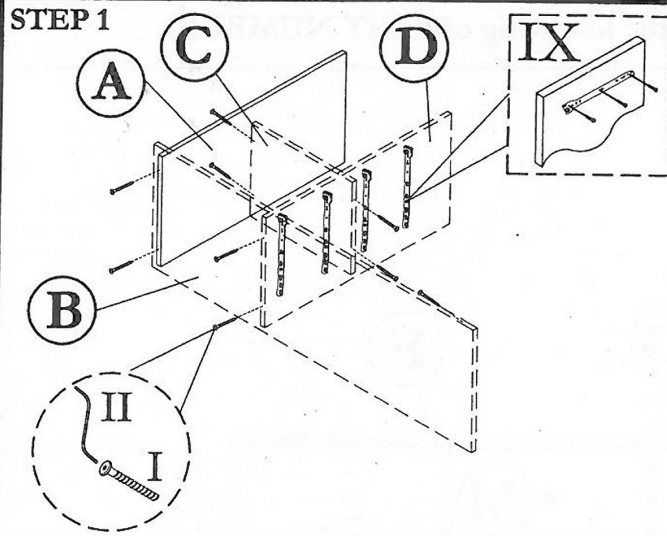
NO	DESCRIPTION	QTY
A	LEFT SIDE	01
B	LOWER SHELF	01
C	CENTRE SHELF	02
D	CENTRE VERTICAL	01
E	HORIZONTAL SHELF	01
F	CENTRE VERTICAL	01
G	RIGHT SIDE	01

NO	DESCRIPTION	QTY
H	TOP	01
I	BACK (Centre)	01
J	BACK (Left/Right)	02
K	LEFT SIDE DOOR	01
L	RIGHT DOOR	01
M	DRAWER FACE	04

ASSEMBLY INSTRUCTION

MODEL : 4109 / CHEST OF DRAWER

Before you begin, please follow assembly instruction carefully.
Then follow them step by step.



HARDWARE LIST

NO	DESCRIPTION	QTY
I	JCBCW SCREW M6 x 45	16pcs
II	M4 ALLEN KEY	1pc
III	HANDLE & SCREW M4 x 22	4sets
IV	HANDLE & SCREW M4 x 22	2sets

V	PVC NAIL WITH PIN	1pc
VI	Q-FIT	24sets
VII	CAP SMALL	4pcs
VIII	NAIL	50pcs
IX	HINGES (C) & SCREW M3.5 x 16	4sets
X	M8 x 32 CHIPBOARD SCREW	16pcs

XI	12" DRAWER SLIDER & SCREW M3.5 x 12	4sets
XII	180mm METAL LEG & SCREW M4 x 18	4sets
XIII	WOOD LEG, SUPPORT & SCREW M3.5 x 20	1sets
XIV	PLASTIC DOWEL	4pcs