

CAUTION:

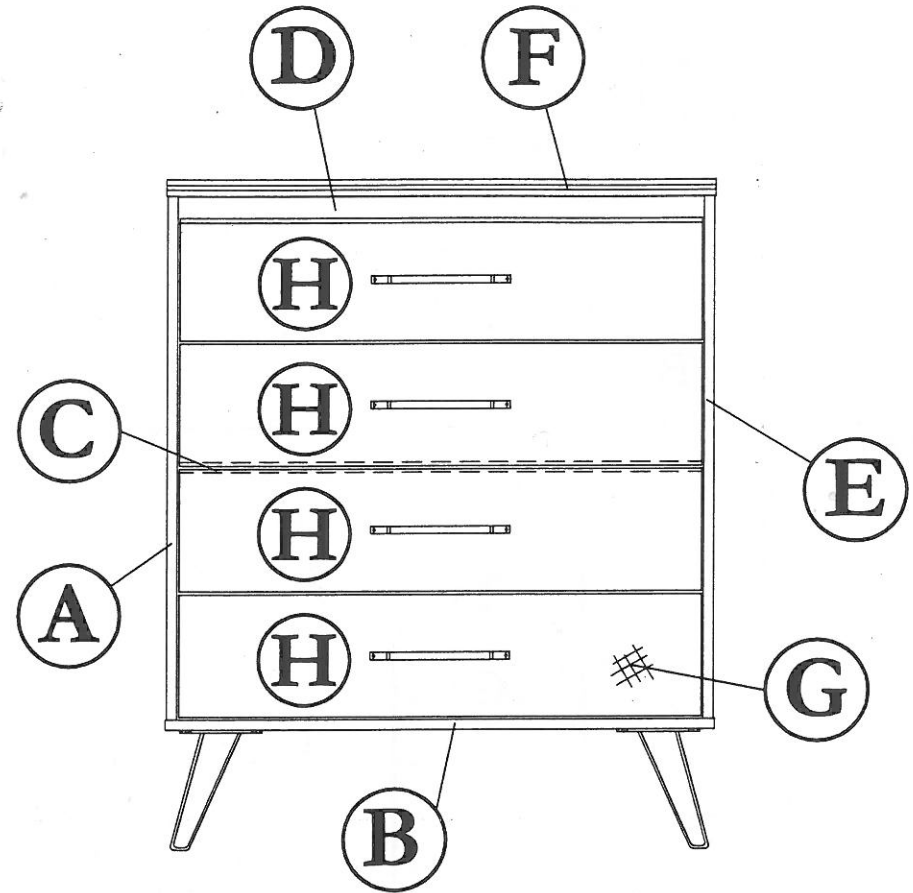
To clean use soft, dry cloth. Do not use detergent or chemicals
Avoid contact with water and direct sunlight.
To be assembled on a soft, dry, clean and smooth surface.



COMPLETE SET

ORDERING REPAIR PARTS

In order to obtain smooth and rapid service when ordering repair parts, please give full attention to the following of PART NUMBER.



NO	DESCRIPTION	QTY
A	LEFT SIDE	01
B	LOWER SHELF	01
C	HORIZONTAL SHELF	01
D	TOP SUPPORT	01

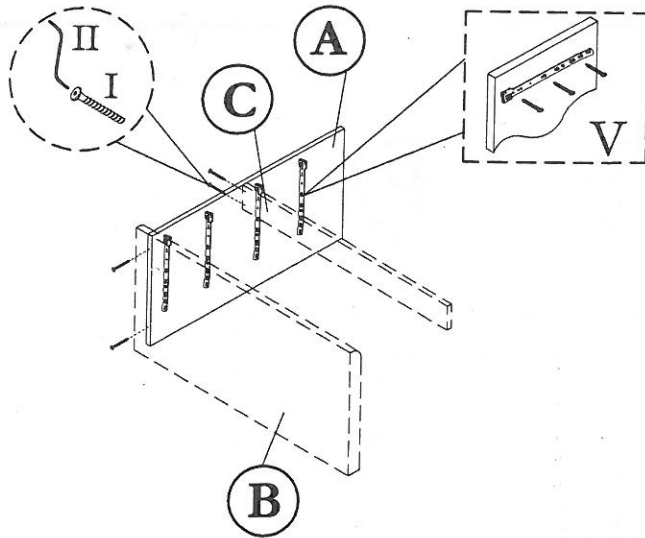
NO	DESCRIPTION	QTY
E	RIGHT SIDE	01
F	TOP	01
G	BACK	02
H	DRAWER FACE	04

ASSEMBLY INSTRUCTION

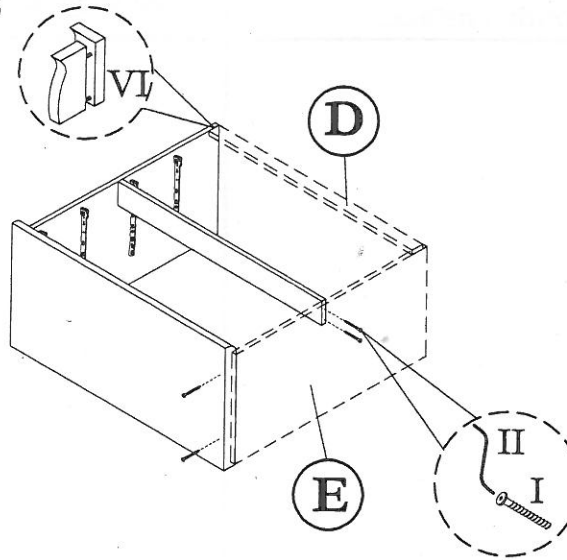
MODEL : 4106 / CHEST OF DRAWER

Before you begin, please follow assembly instruction carefully.
Then follow them step by step.

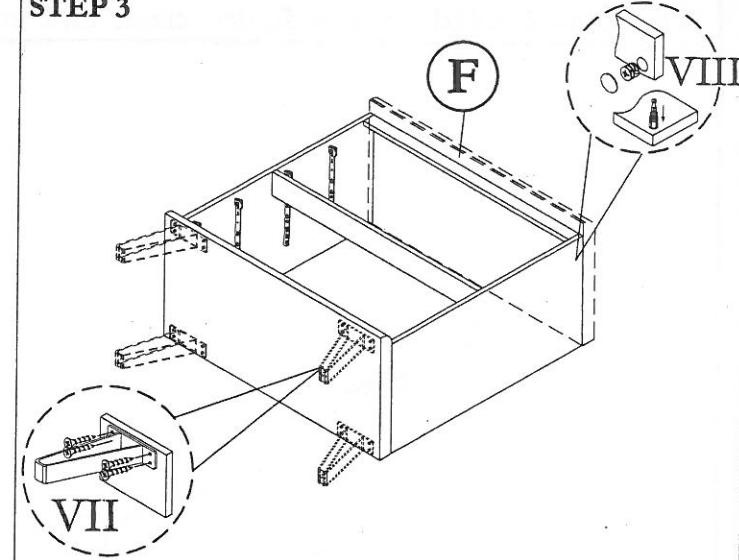
STEP 1



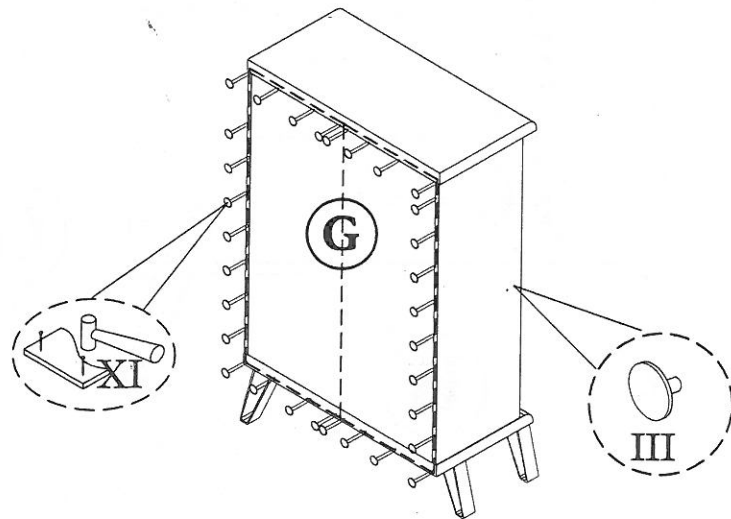
STEP 2



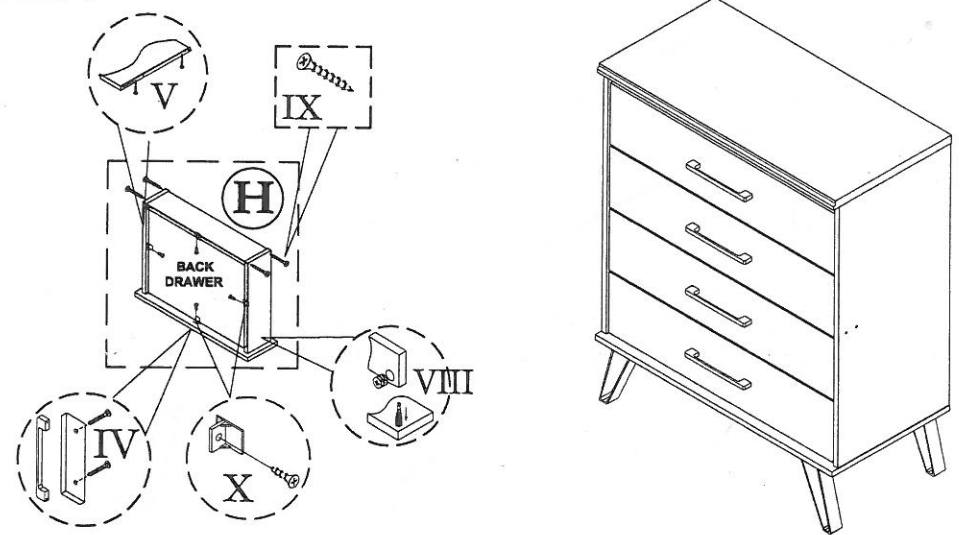
STEP 3



STEP 4



STEP 5



HARDWARE LIST			
NO	DESCRIPTION		QTY
I	JCBCW SCREW M6 x 45		8pcs
II	M4 ALLEN KEY		1pc
III	CAP SMALL		4pcs
IV	HANDLE & SCREW M4 x 22		4sets

V	12" DRAWER SLIDER & SCREW M3.5 x 12		4sets
VI	M8 x 30 PLASTIC DOWEL		2pcs
VII	180mm METAL LEG & SCREW M4 x 18		4sets
VIII	Q-FIT		20sets
IX	M8 x 32 CHIPBOARD SCREW		16pcs
X	DRAWER SUPPORT & SCREW M3.5 x 12		16sets

XI	NAIL		40pcs