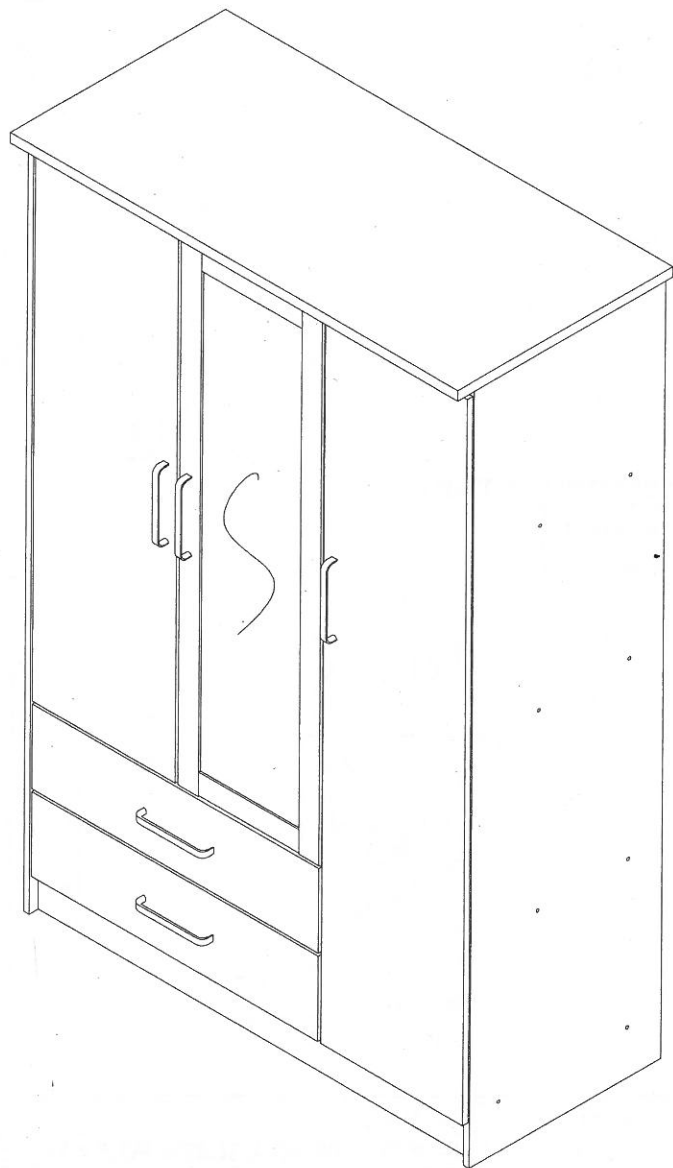


**CAUTION:**

To clean use soft, dry cloth. Do not use detergent or chemicals  
Avoid contact with water and direct sunlight.

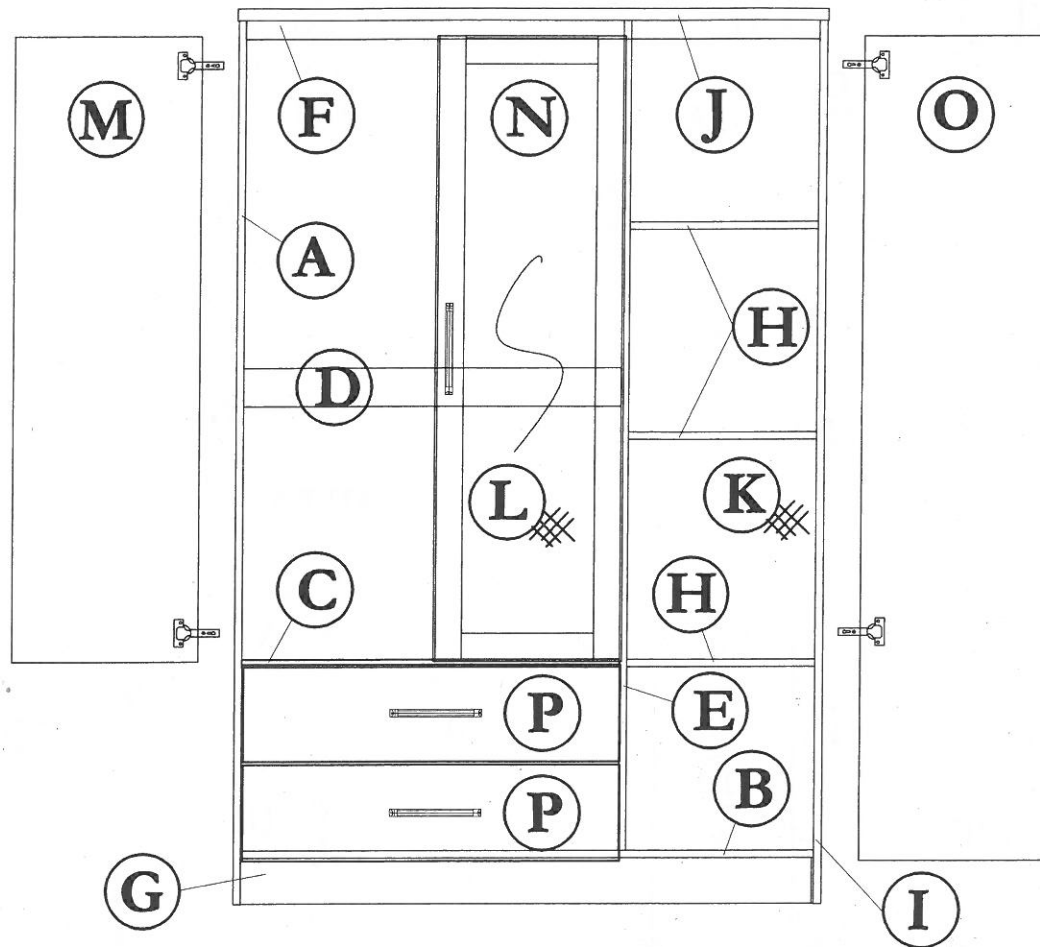
To be assembled on a soft, dry, clean and smooth surface.



# COMPLETE SET

**ORDERING REPAIR PARTS**

In order to obtain smooth and rapid service when ordering repair parts, please give full attention to the following of PART NUMBER.



NO	DESCRIPTION	QTY
A	LEFT SIDE	01
B	LOWER SHELF	01
C	CENTRE SHELF	01
D	BACK SUPPORT	01
E	CENTER VERTICAL	01
F	TOP SUPPORT	01
G	LEG	02
H	CENTER SHELF	03
I	RIGHT SIDE	01

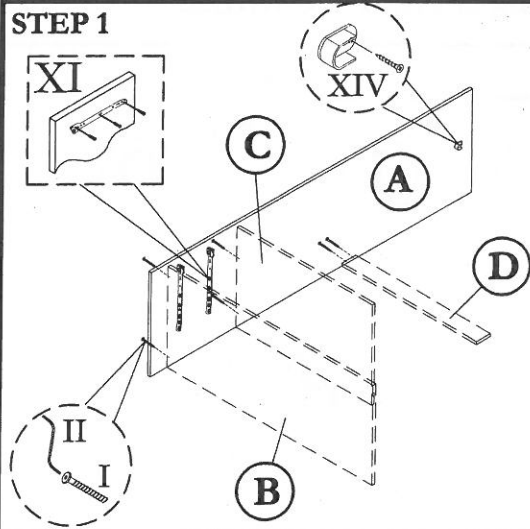
NO	DESCRIPTION	QTY
J	TOP	01
K	BACK	01
L	BACK	02
M	LEFT SIDE DOOR	01
N	CENTER DOOR	01
O	RIGHT SIDE DOOR	01
P	DRAWER FACE	02

# ASSEMBLY INSTRUCTION

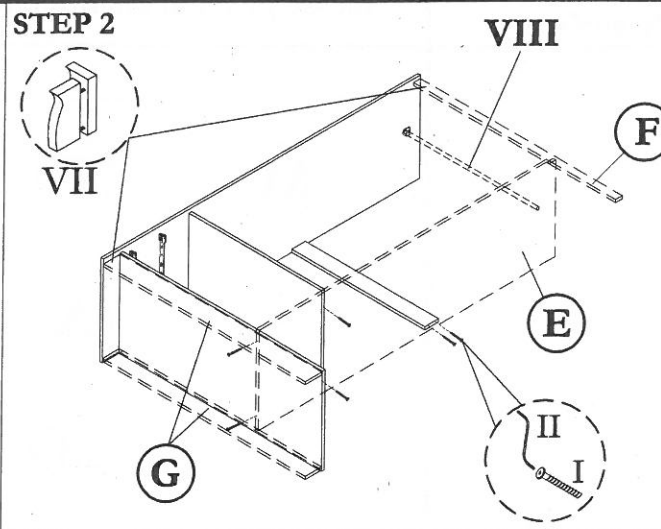
## MODEL : 9263 DM / WARDROBE

Before you begin, please follow assembly instruction carefully.  
Then follow them step by step.

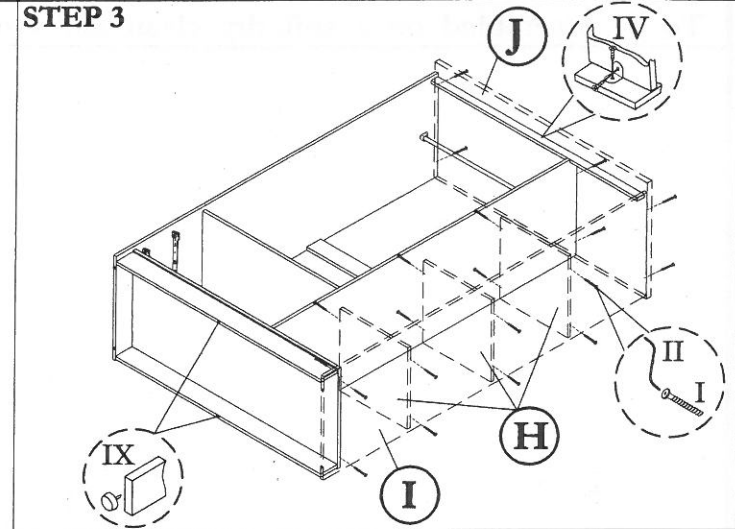
### STEP 1



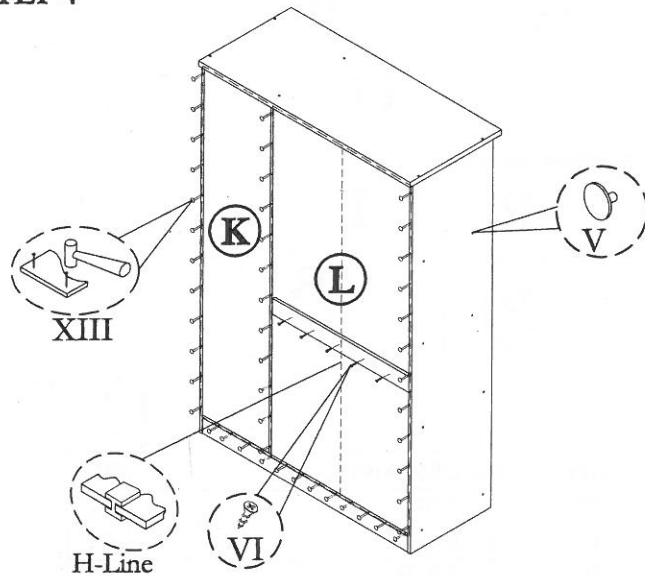
### STEP 2



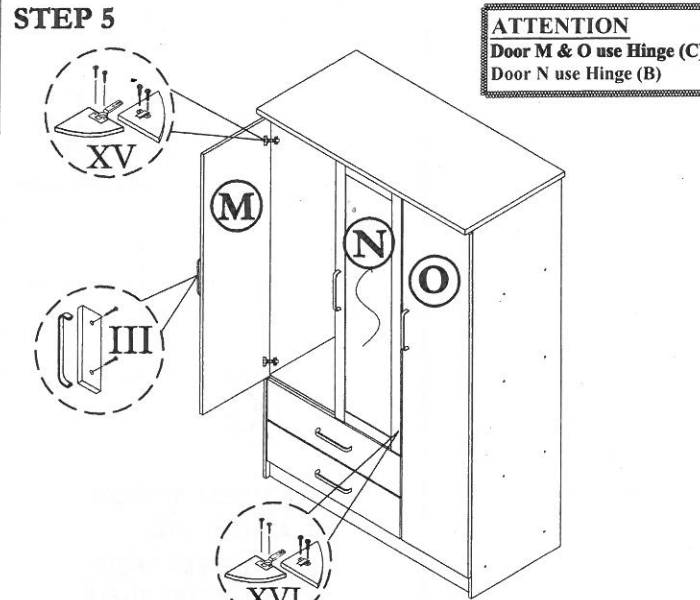
### STEP 3



### STEP 4

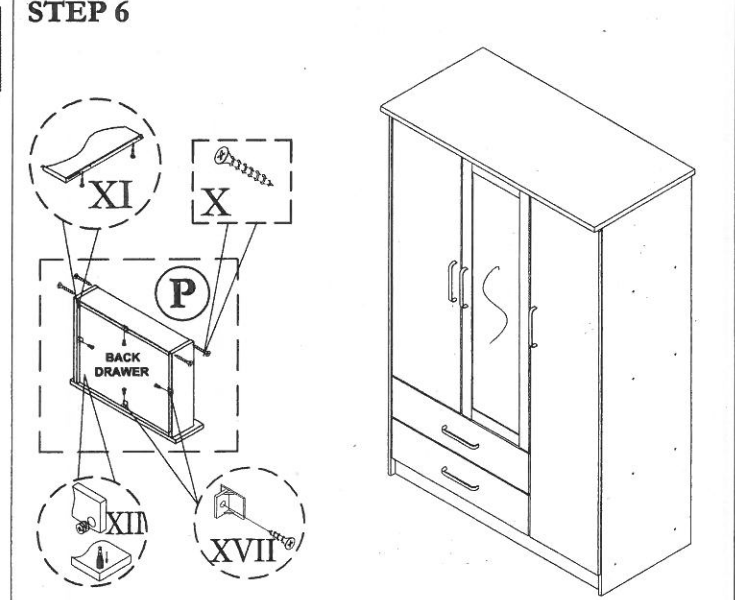


### STEP 5



**ATTENTION**  
Door M & O use Hinge (C)  
Door N use Hinge (B)

### STEP 6



#### HARDWARE LIST

NO	DESCRIPTION	QTY
I	JCBCW SCREW M6 x 45	32pcs
II	M4 ALLEN KEY	1pc
III	HANDLE & SCREW M3.5 x 30	5sets
IV	L BRACKET & SCREW M3.5 x 12	1sets
V	CAP SMALL	14pcs

VI	M3.5 x 12 CHIPBOARD SCREW	5pcs
VII	PLASTIC DOWEL	10pcs
VIII	PIPE SIZE : 29 6.5/8"	1pc
IX	PVC NAIL WITH PIN	6pcs
X	M8 x 32 CHIPBOARD SCREW	8pcs
XI	14" DRAWER SLIDER & SCREW M3.5 x 12	2sets
XII	Q-FIT	8sets

XIII	NAIL	80pcs
XIV	PIPE SUPPORT & SCREW M3.5 x 16	2sets
XV	HINGE (C) & SCREW M3.5 x 16	5sets
XVI	HINGE (B) & SCREW M3.5 x 16	2sets
XVII	DRAWER SUPPORT & SCREW M3.5 x 12	8sets