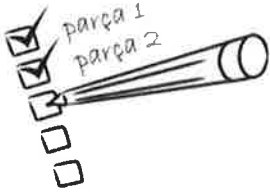




Dear Customer,

We design and produce our product for people to love and have fun with them as we do.

The product you bought was subjected to all sorts of tests and control before sending out to you.



Before start assembling, please check the whole components and accessories according to the lists. If you bought more than one product, to prevent confusion be sure that you completed the first product. Then start the other product's assembling.



Before start assembling, please clean all the components with a damp cloth. Also for usual cleaning, this will be enough.



Although all the products are produced and packed carefully, sometimes happen that some component is damaged during the transportation. In such a case please check the missing or damaged part and do not hesitate to contact us.



Do not use furniture for other purposes. If you would like to use it, please contact us for further questions.

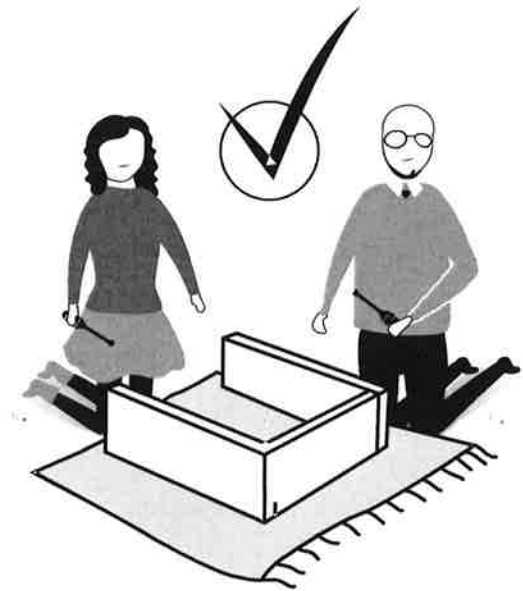
Do not directly contact your furniture with excessive heat, cold and humidity because the product can be affected.








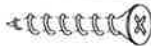
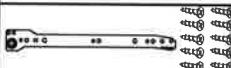


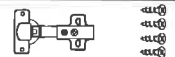


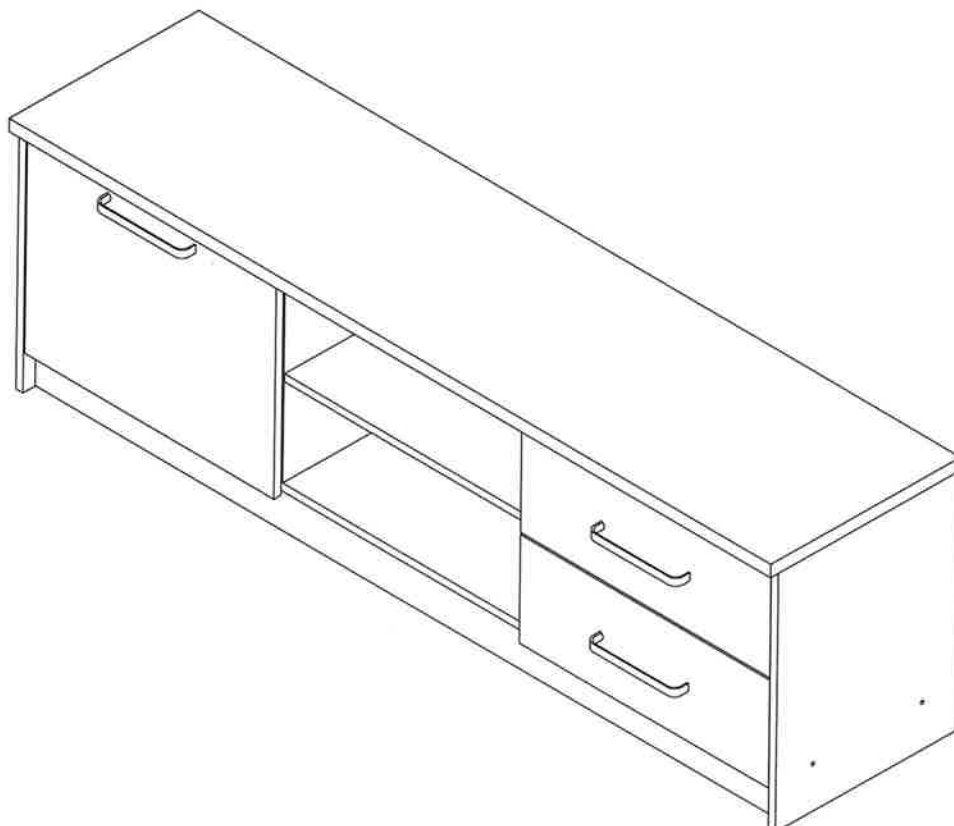
WARNING

Serious or fatal crushing injuries can occur from furniture tip-over. To prevent this furniture from tipping over it must be permanently fixed to the wall with the included wall attachment devices.

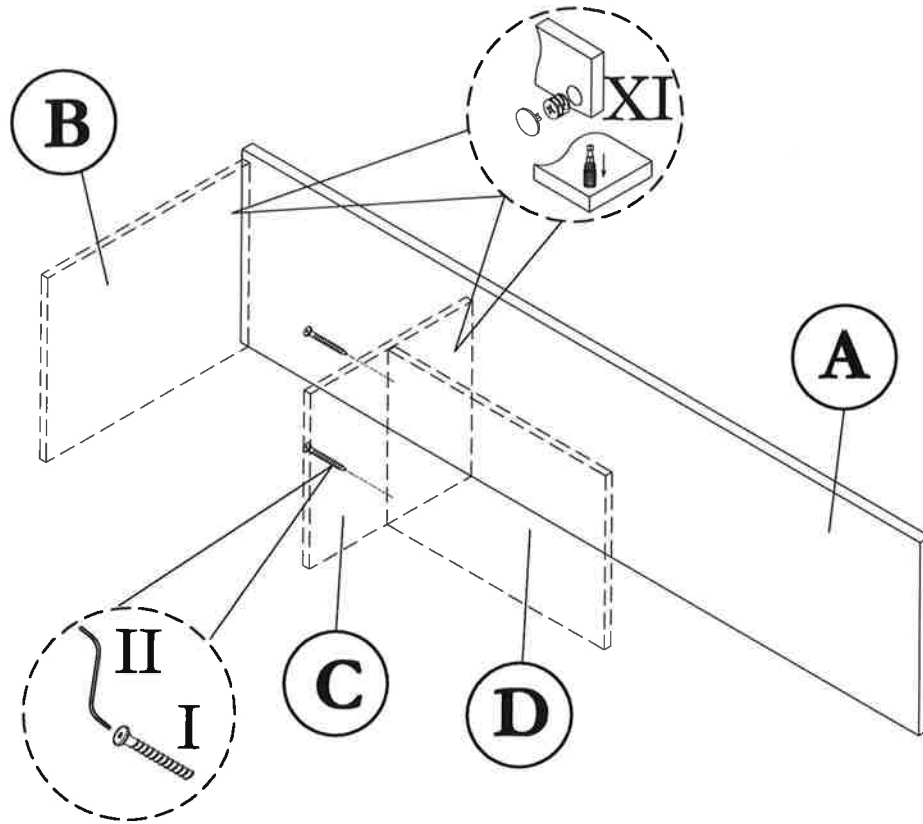
Fixing devices for the wall are not included since different wall materials require different types of fixing devices. Use fixing devices suitable for the walls in your home. For advice on suitable fixing systems, contact your local specialized dealer.



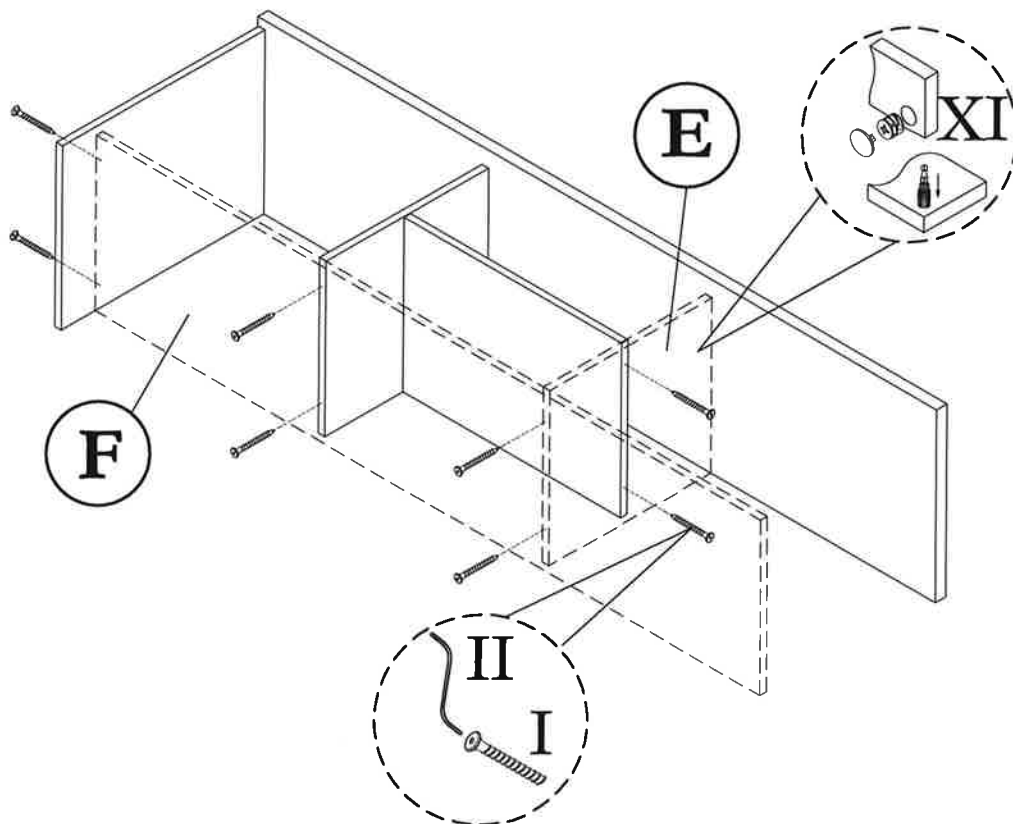
HARDWARE LIST			
NO	DESCRIPTION		QTY
I	JCBCW SCREW M6.3 x 50		14pcs
II	M4 ALLEN KEY		1pc
III	HANDLE & SCREW M3.5 x 30		3sets
IV	STICKER		6pcs
V	NAIL		40pcs
VI	M8 x 30 WOOD DOWEL		8pcs
VII	PVC NAIL WITH PIN		8pcs
VIII	M8 x 32 CHIPBOARD SCREW		8pcs
IX	12" DRAWER SLIDER & SCREW M3.5 x 16		2sets
X	DRAWER SUPPORT & SCREW M3.5 x 12		8sets
XI	Q-FIT		16sets
XII	HINGE (C) & SCREW M3.5 x 16		2sets



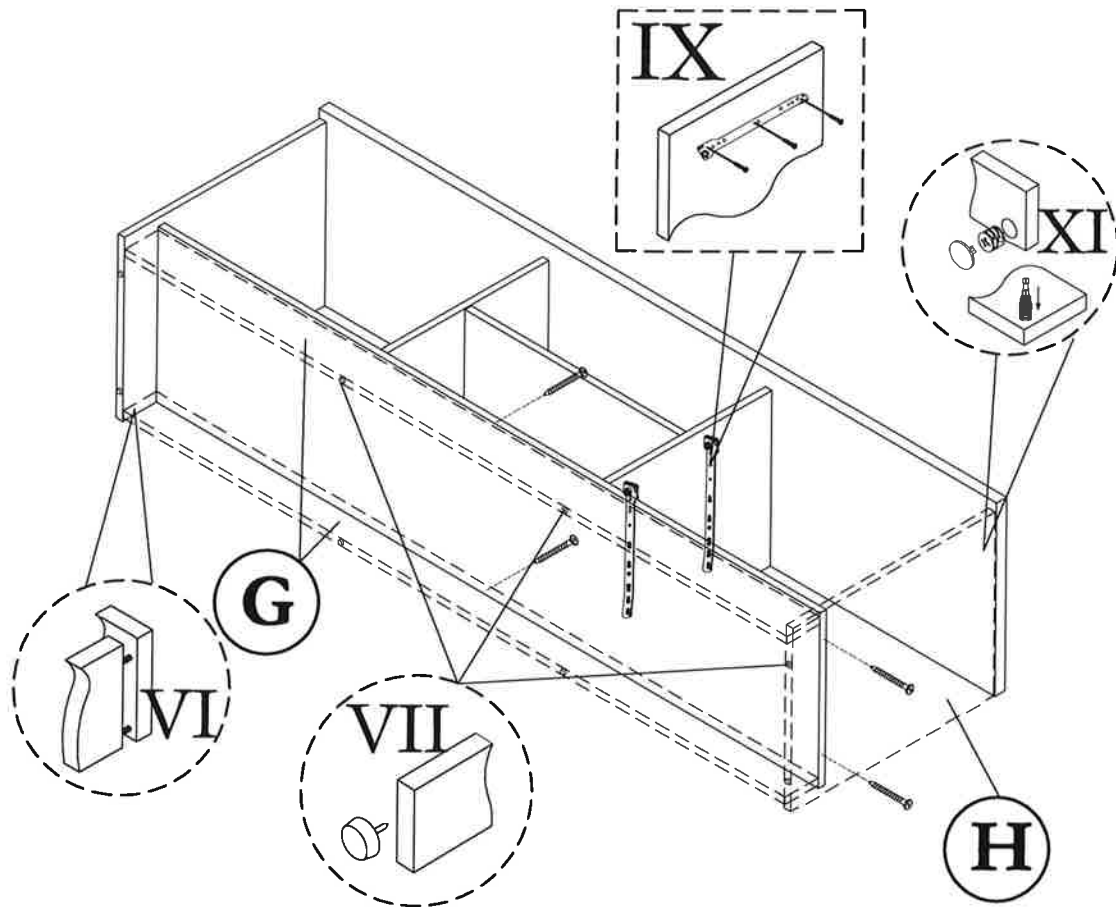
STEP 1



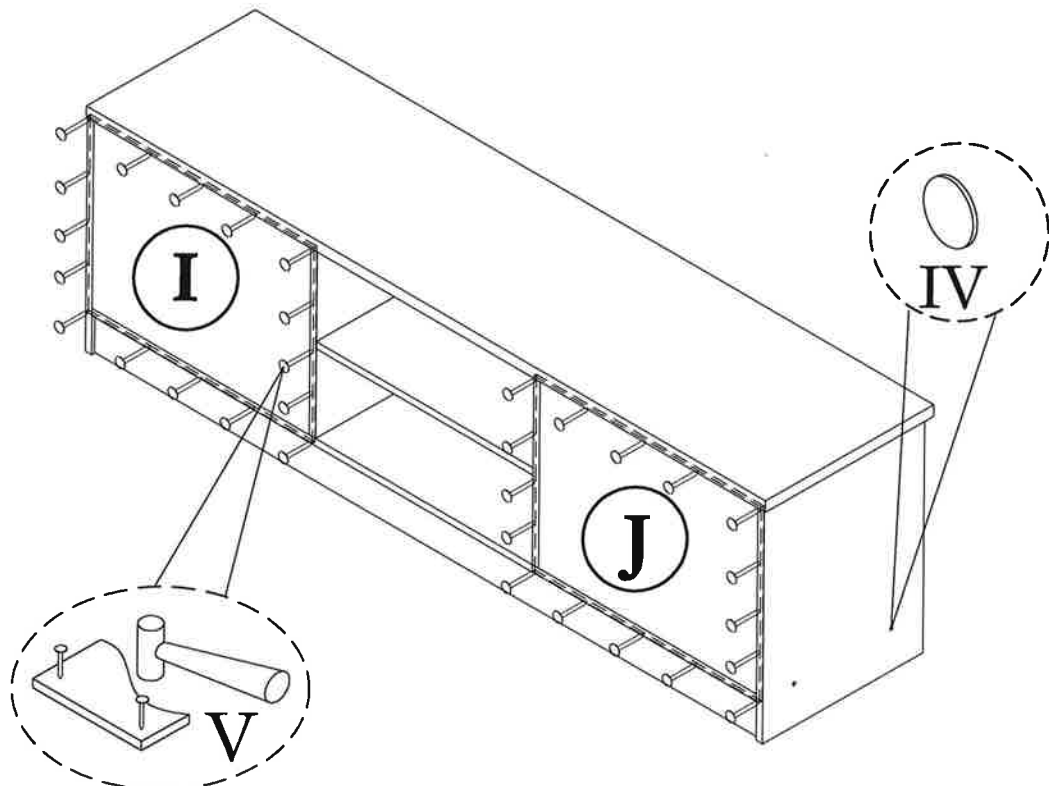
STEP 2



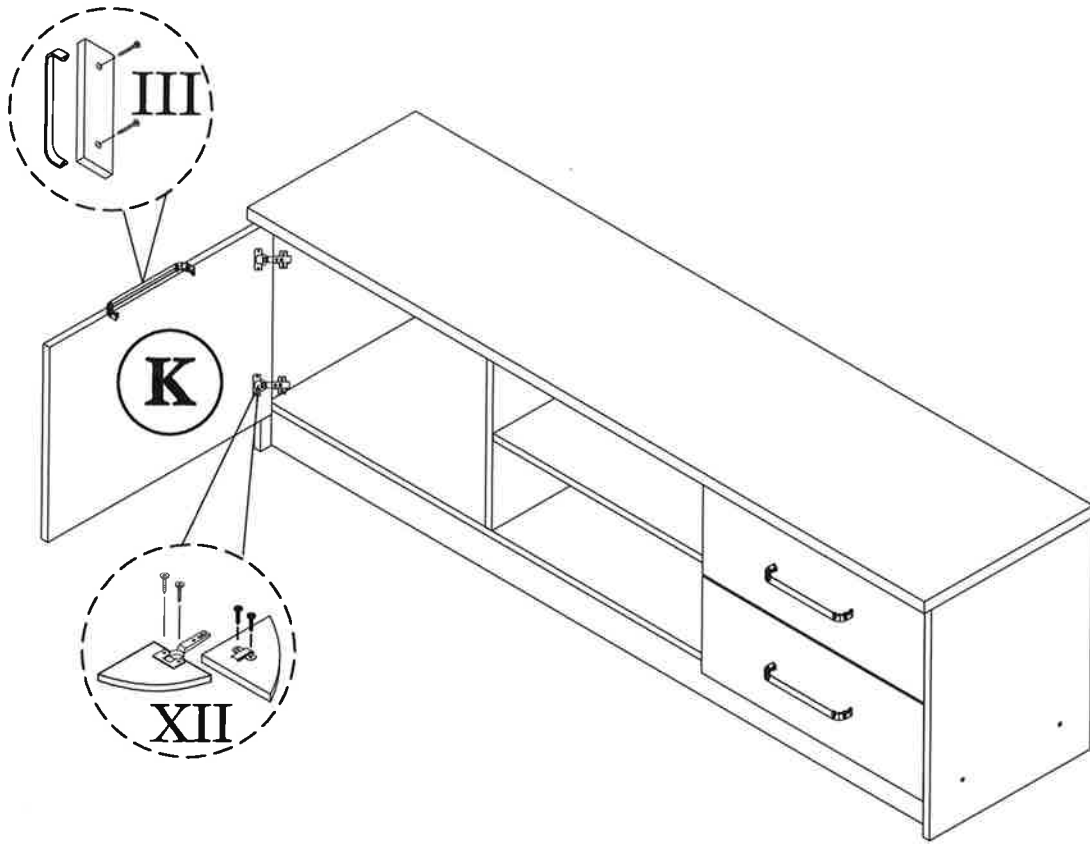
STEP 3



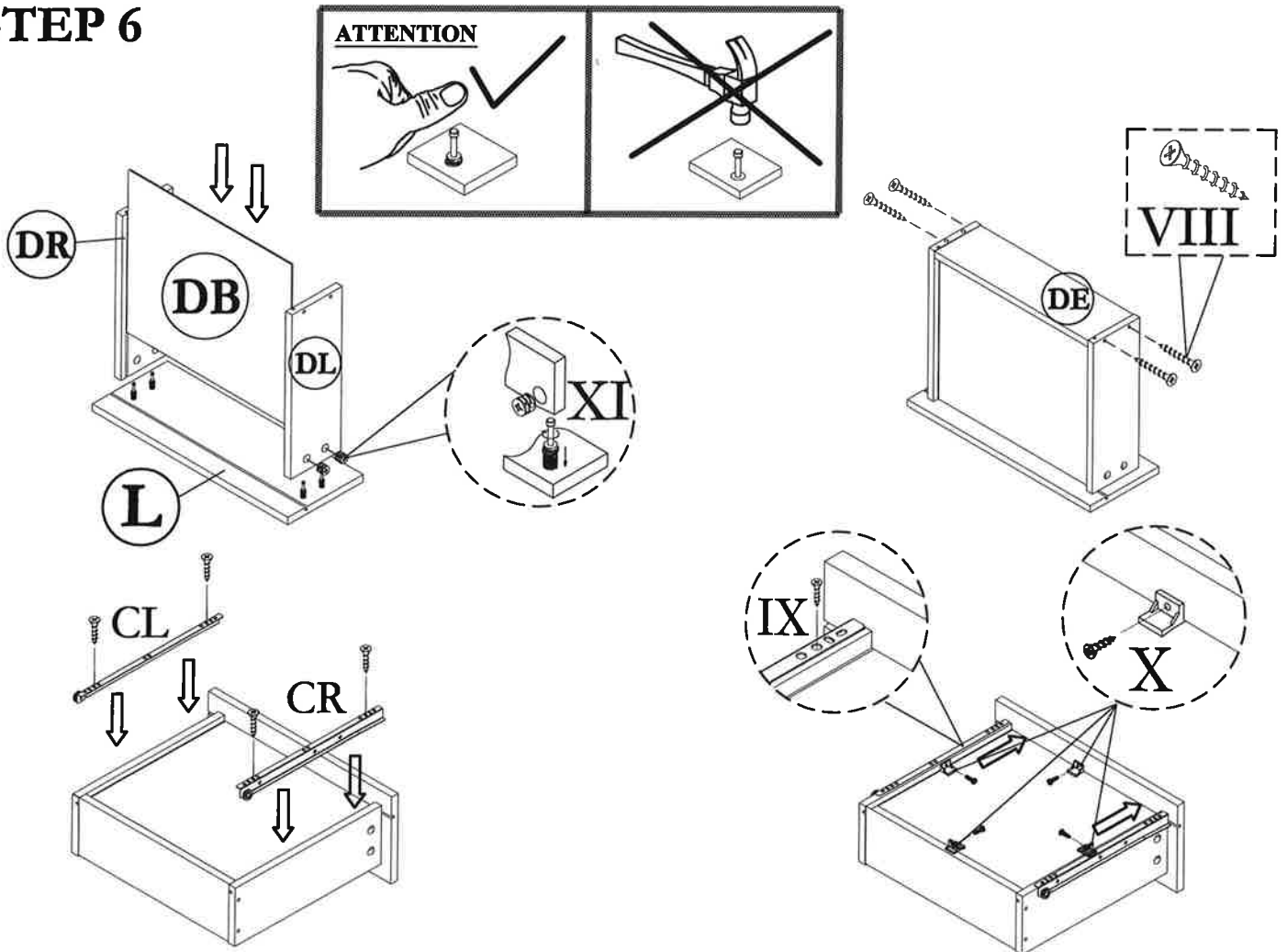
STEP 4

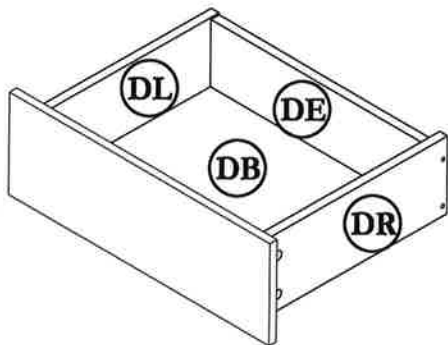
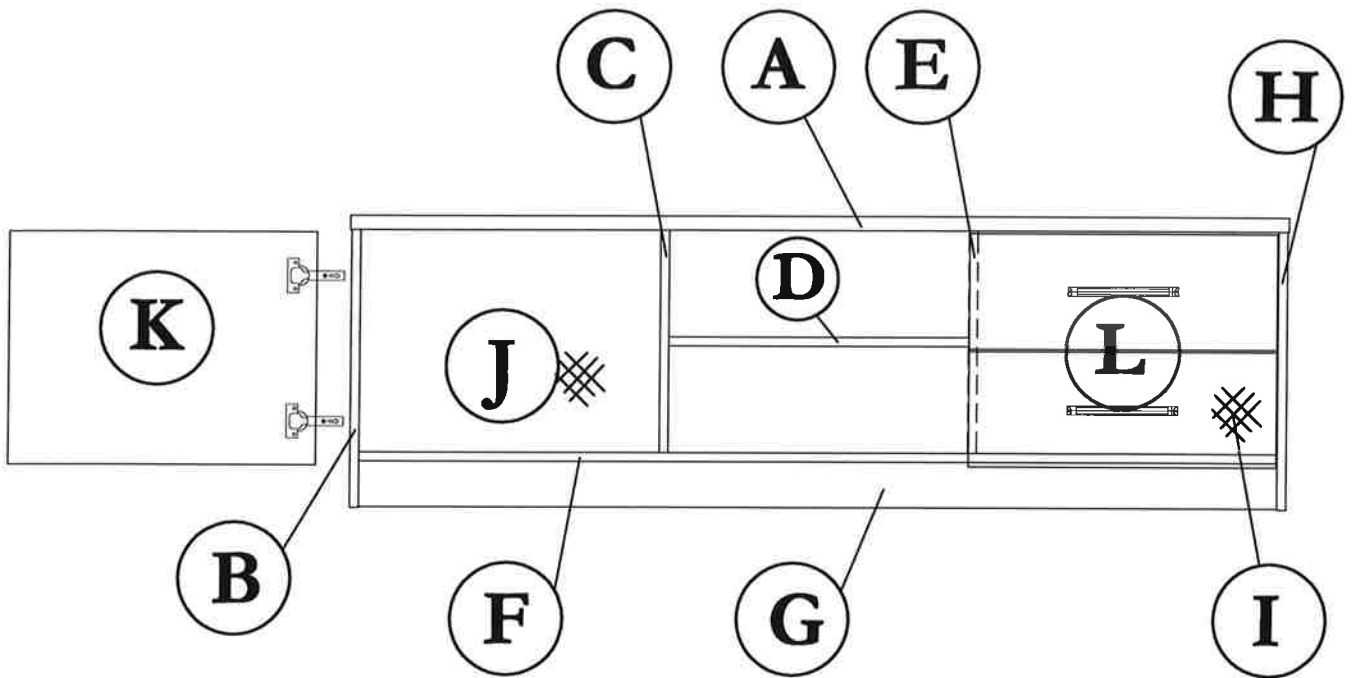


STEP 5



STEP 6





NO	DESCRIPTION	QTY
DL	DRAWER SIDE (Left)	02
DR	DRAWER SIDE (Right)	02
DB	DRAWER BASE	02
DE	DRAWER END	02

NO	DESCRIPTION	QTY
A	TOP	01
B	LEFT SIDE	01
C	CENTRE VERTICAL	01
D	CENTRE SHELF	01
E	CENTRE VERTICAL	01
F	LOWER SHELF	01

NO	DESCRIPTION	QTY
G	LEG	02
H	RIGHT SIDE	01
I	BACK (Right)	01
J	BACK (Left)	01
K	DOOR	01
L	DRAWER FACE	02