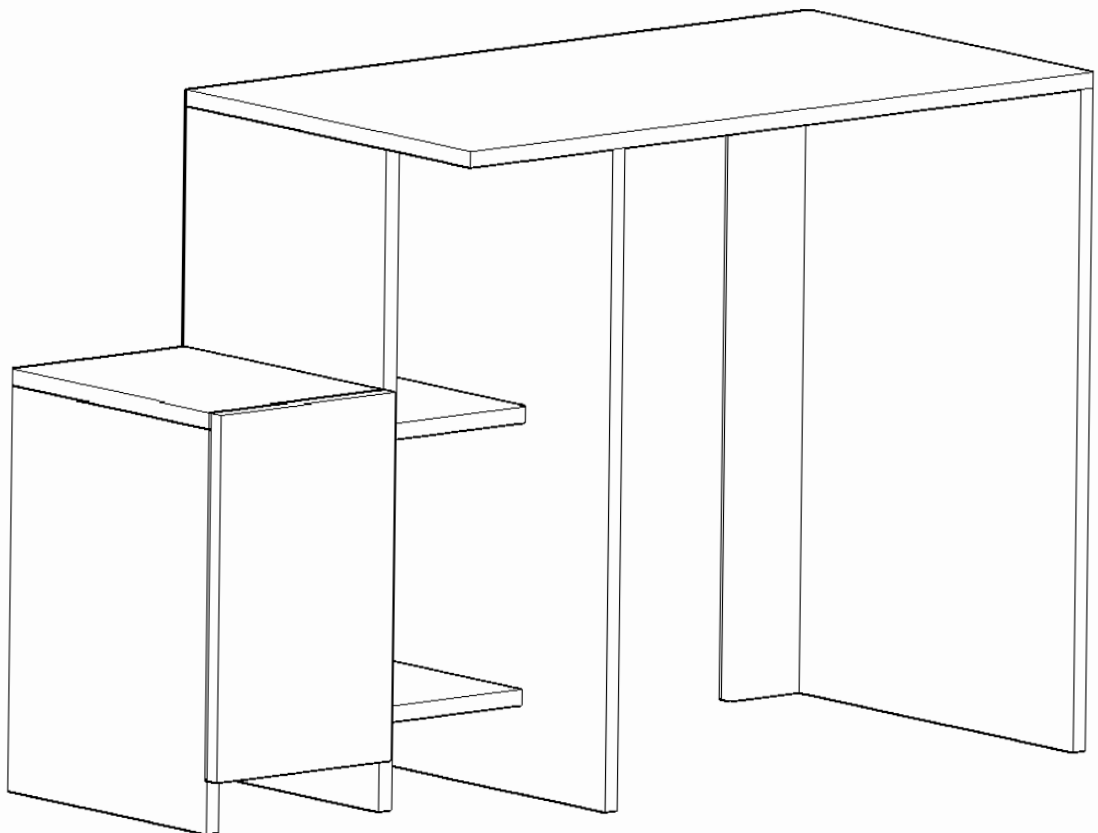
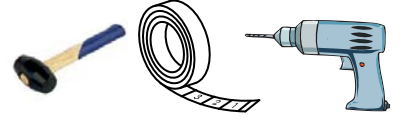
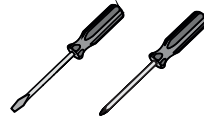
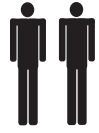


---

## ASSEMBLY MANUAL


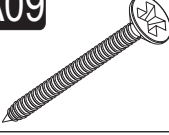
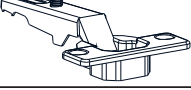
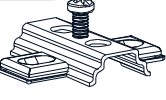



This unit should be assembled by two persons.

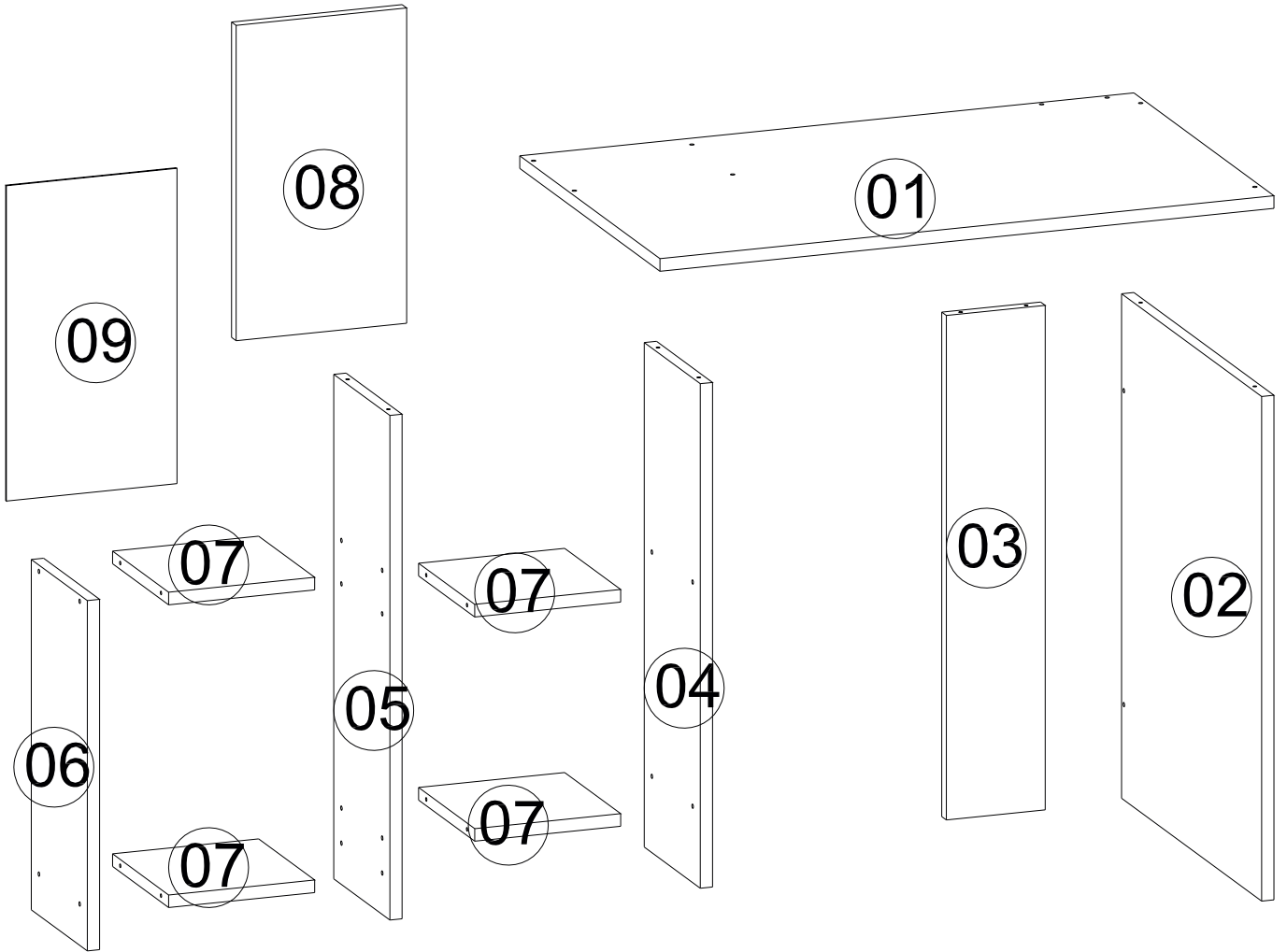


## ACCESSORY LIST

The necessary tools (not included)

<b>A10</b> 3,5x18 YHB Vida  <b>8x</b>	<b>A09</b> 4x50 YHB Vida  <b>26x</b>	<b>A12</b> Düz Mentеше  <b>2x</b>	<b>A13</b> Mentеше Atlığı  <b>2x</b>	<b>A28</b> Arkalık Çivisi  <b>12x</b>
				<b>A16</b> Vida Tapa 1. Renk <b>10x</b> 2. Renk <b>16x</b>

## GENERAL VIEW



# ASSEMBLY MANUAL

