



ASSEMBLY INSTRUCTION

Ax1

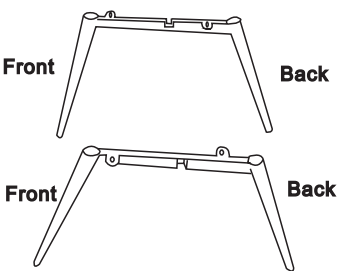


Dx4

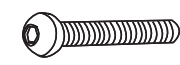


M6x16mm

Bx1

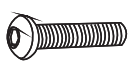


Ex4



M6x45mm

Cx1



M6x30mm

Fx1

