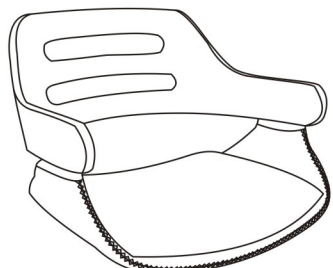
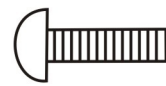


AX1

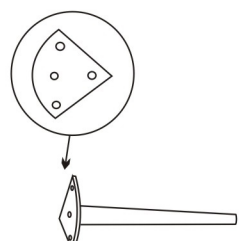


DX12

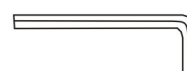


6x20

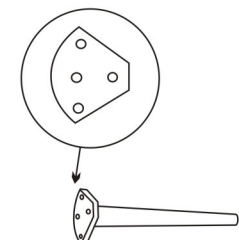
BX2 Front Leg



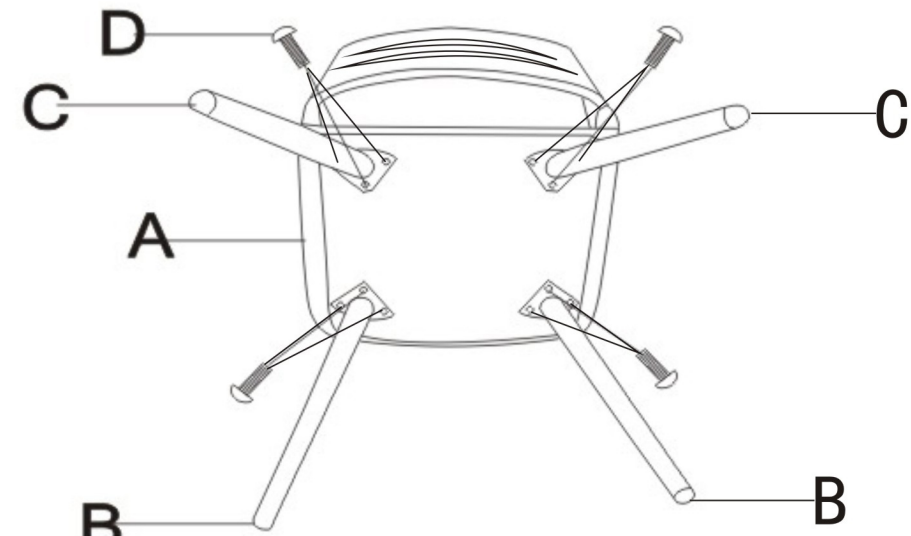
EX1



CX2 Back Leg



1



2

