

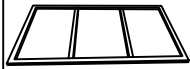
ASSEMBLING INSTRUCTION

101-000067

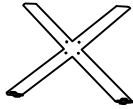
1X1PC



2 X1PC



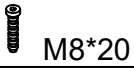
3X1PC



4 X2PCS



A X16PCS



M8*20

B X16PCS



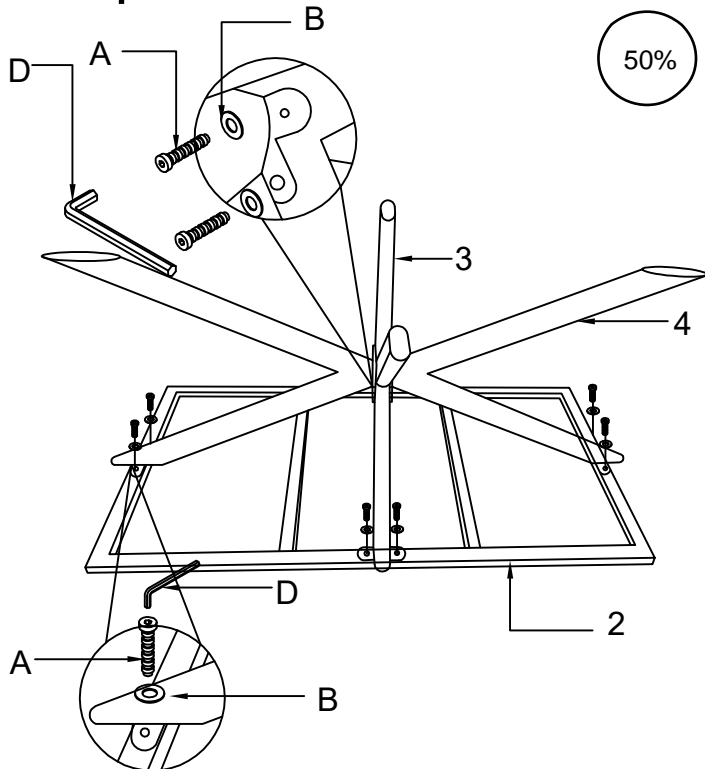
C X6PCS



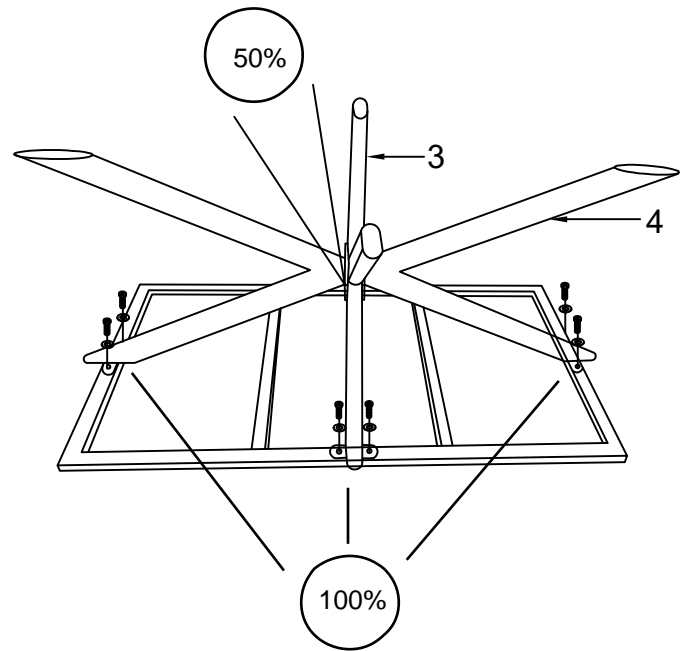
D X1PC



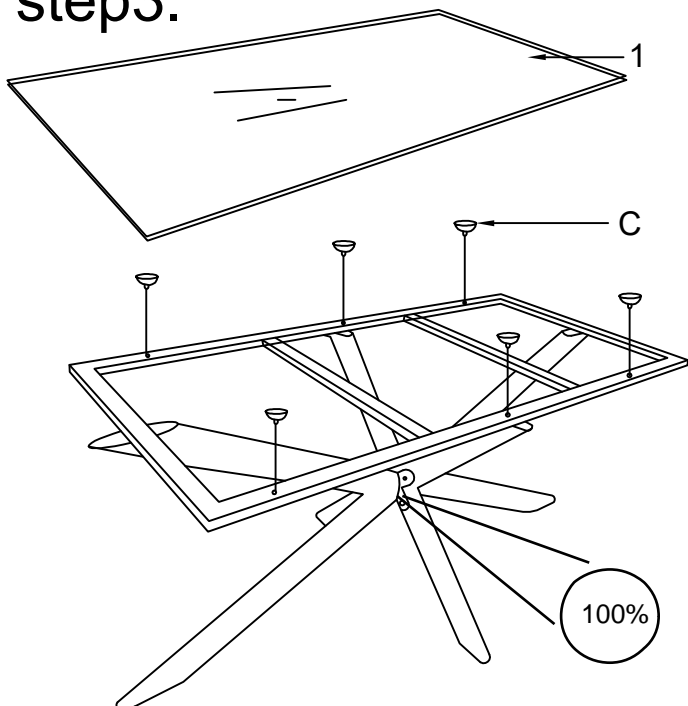
step1.



step2.



step3.



step4.

