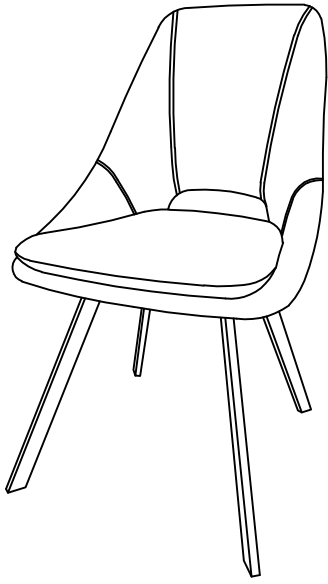


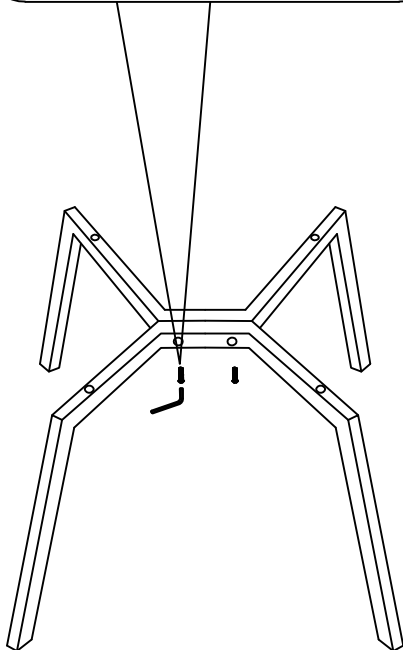
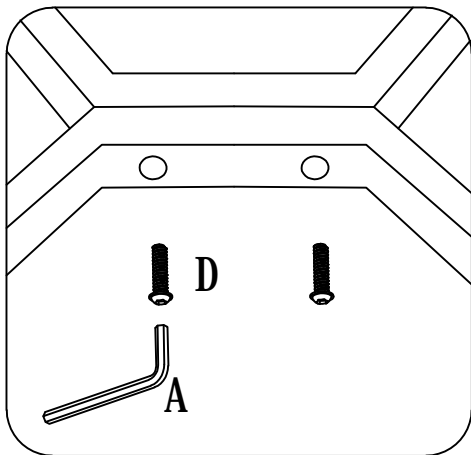
ASSEMBLY INSTRUCTION

093-000028



A		1
B		4
C		4
D		2

1



2

