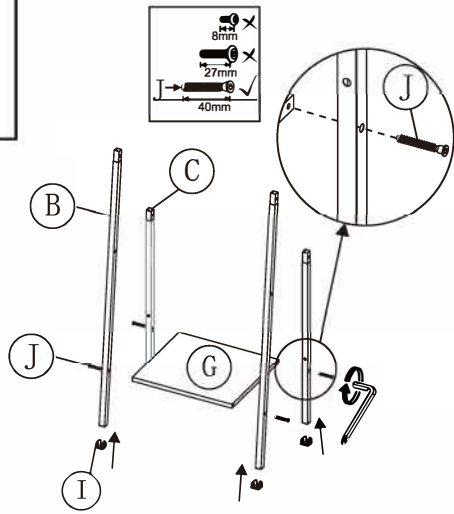
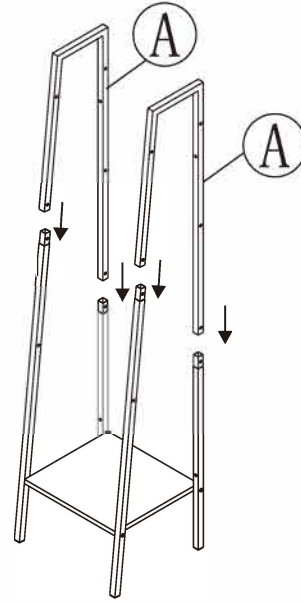


NO.	Qty	Sketch
A	2	
B	2	
C	2	
D	1	
E	1	
F	1	
G	1	
H	2	
I	4	
J	16	
K	4	
L	4	
M	1	
N	1	
O	1	
P	1	

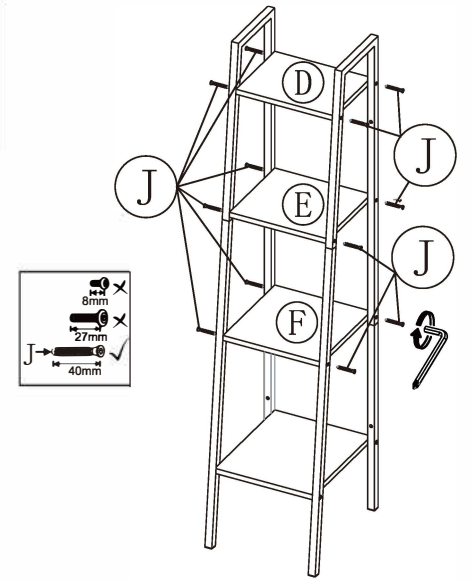
1
Bx2
Cx2
Jx4
Ix4
Gx1



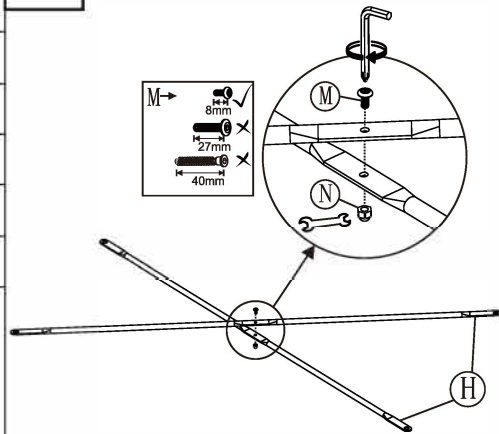
2
Ax2



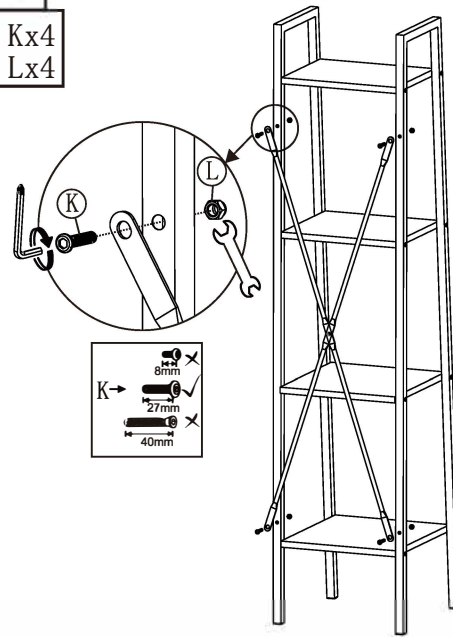
3
Dx1
Ex1
Fx1
Jx12



4
Mx1
Nx1
Hx2



5
Kx4
Lx4



6

