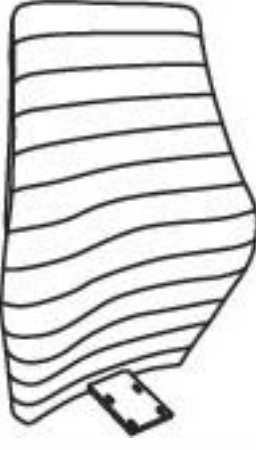

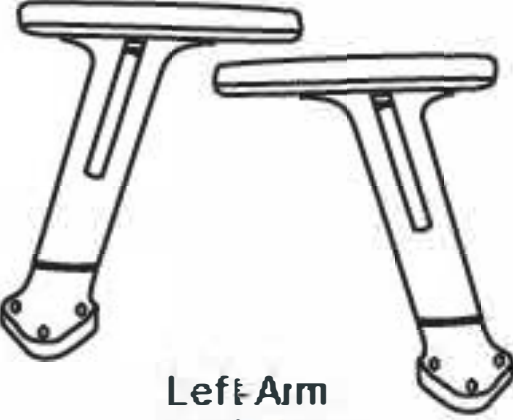
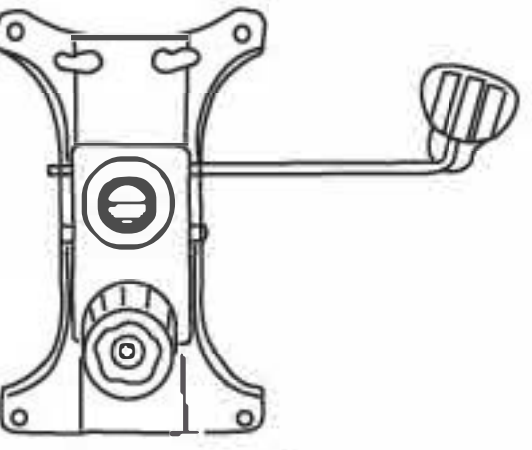

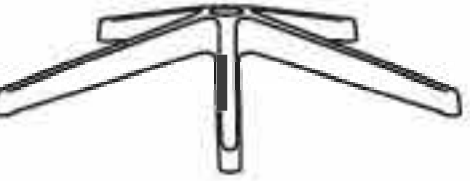
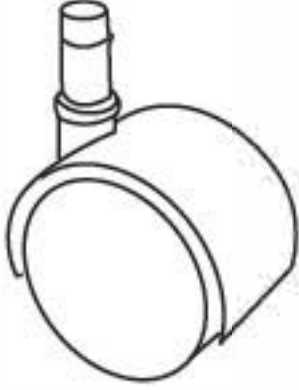
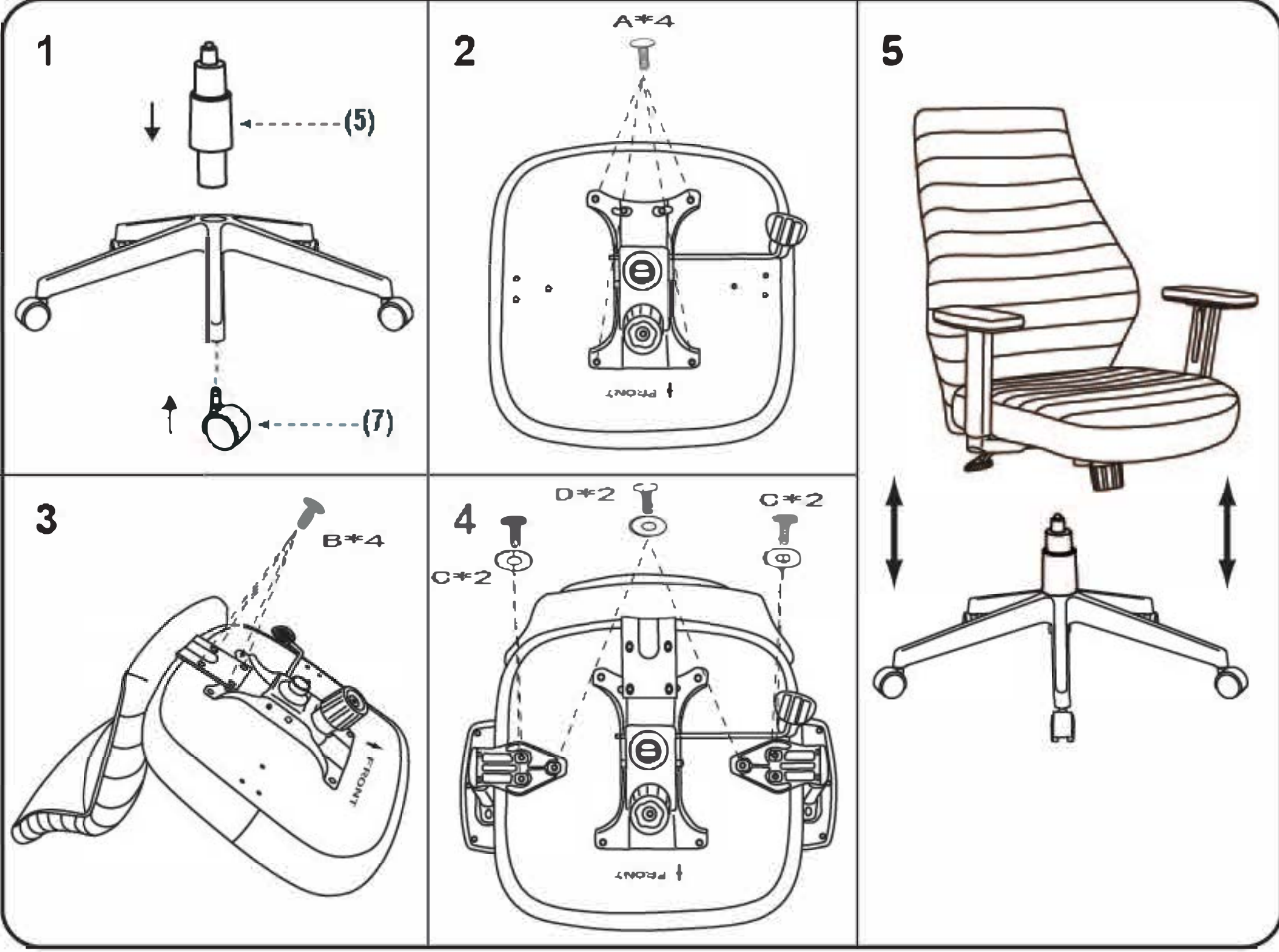

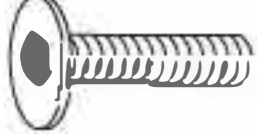

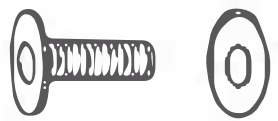



|  |   |  |
|--|---|--|
| (1)x1<br><br>Back Cushion | (2)x1<br><br>Seat Cushion      | (3)x1 (L)x1 (R)<br><br>Left Arm<br>Right Arm |
| (4)x1<br><br>Mechanism   | (5)x1<br><br>Gas Lift W/ Cover | (6)x1<br><br>Base                            |
| (7)x5<br><br>Caster     |   |  |



- (A)X4  M8\*22 MECHANISM SCREW
- (B)X4  M8\*30 L-BAR SCREW
- (C)X4  M6\*40 ARM SCREW
- (D)X2  M6\*30 ARM SCREW
- (F)X1  ALLEN KEY

**Insert and loosely tighten all screws. When assembly is completed, fully tighten all screws before using. This chair is only intended for sitting. Any other use will void the warranty.**

