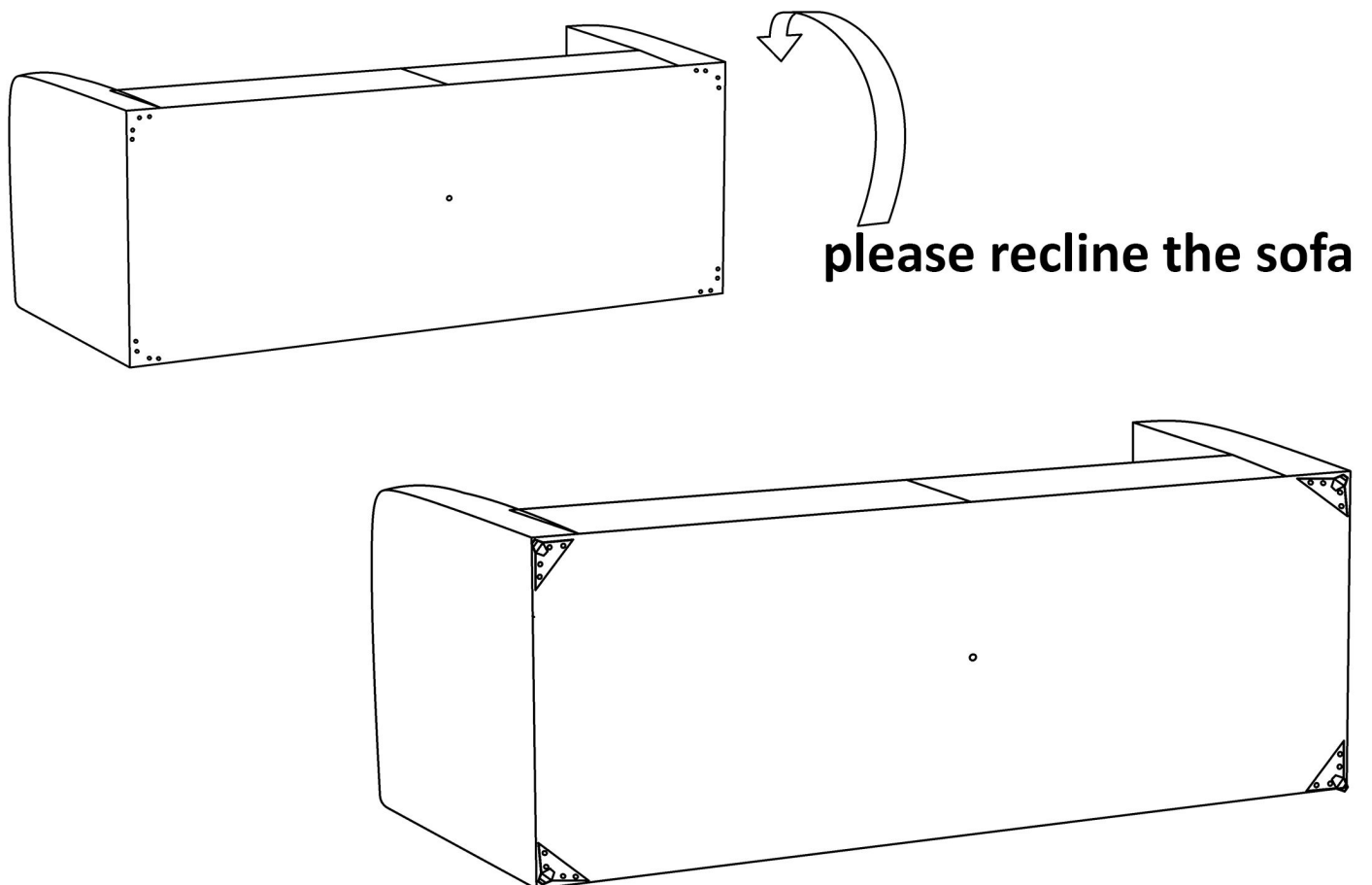


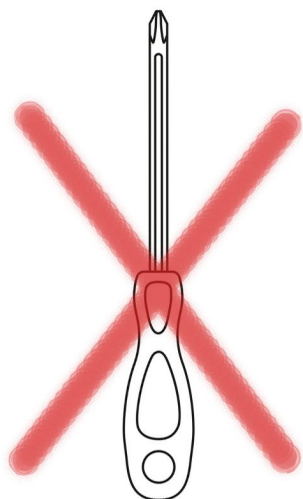
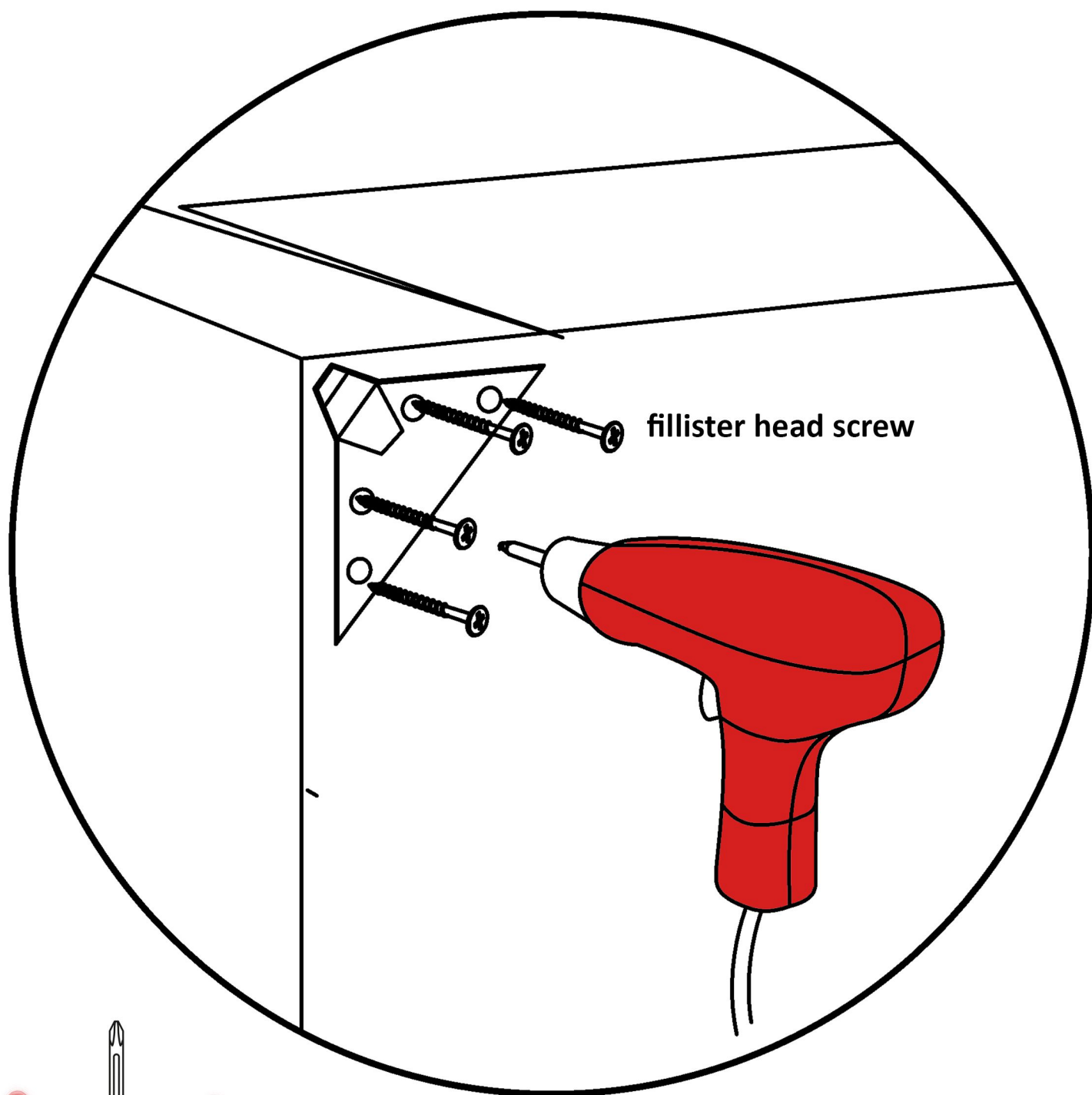
**sofa includes 4 iron legs and 1 wooden middle leg.**

**STEP 1**



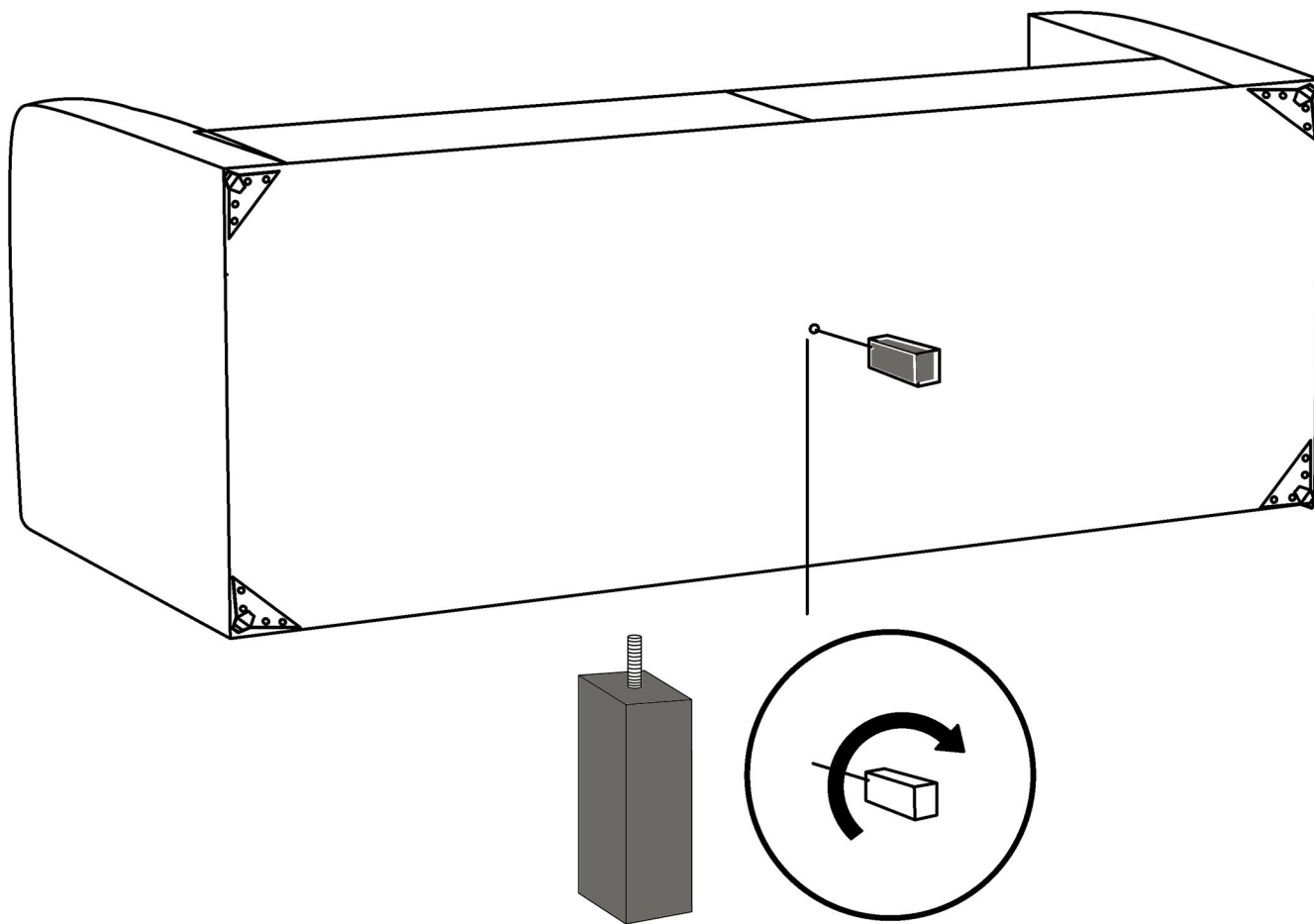
## STEP 2

please use a drill for fixing the  
legs

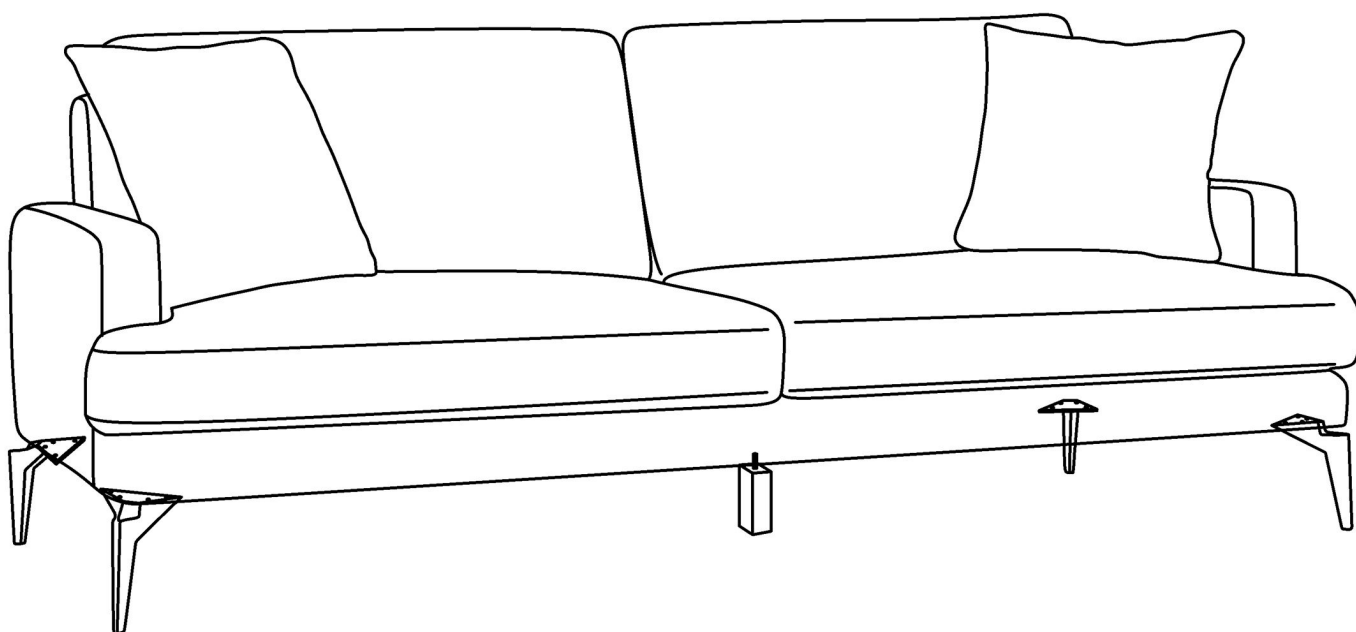


please don't use screwdriver

## STEP 3



**please find the fixing hole underneath, place the wooden leg and turn right**



**have a nice seating**