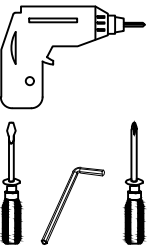







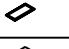

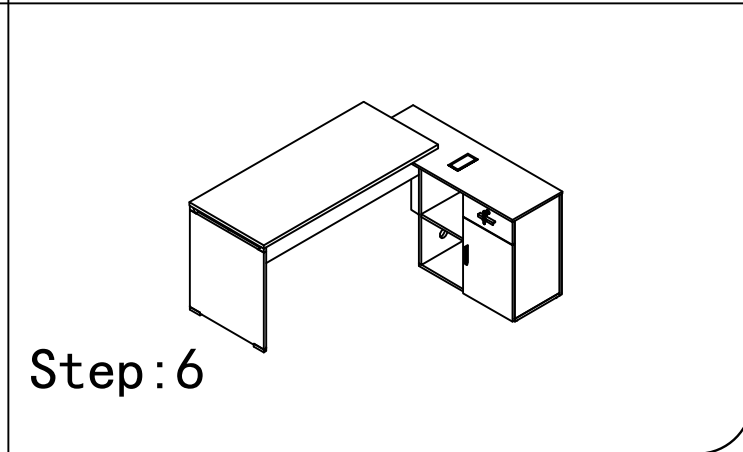
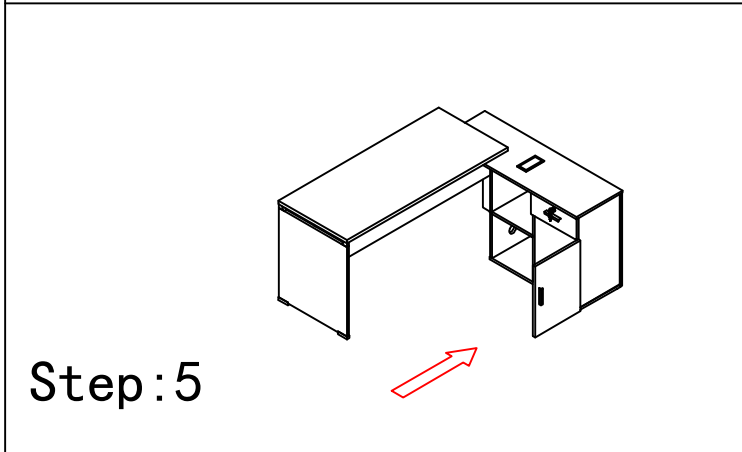
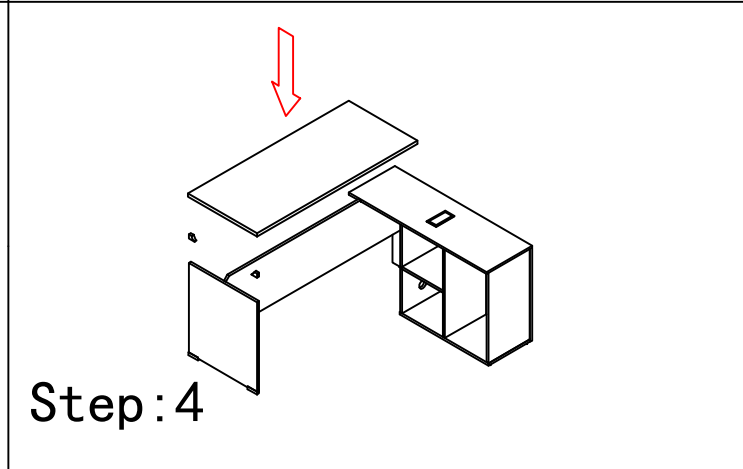
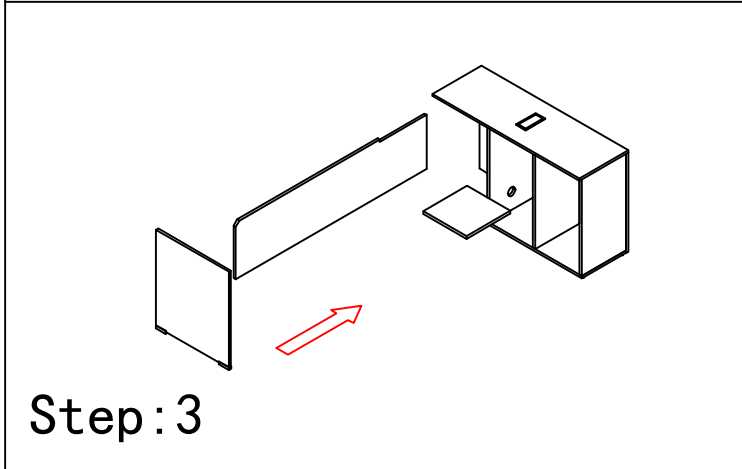
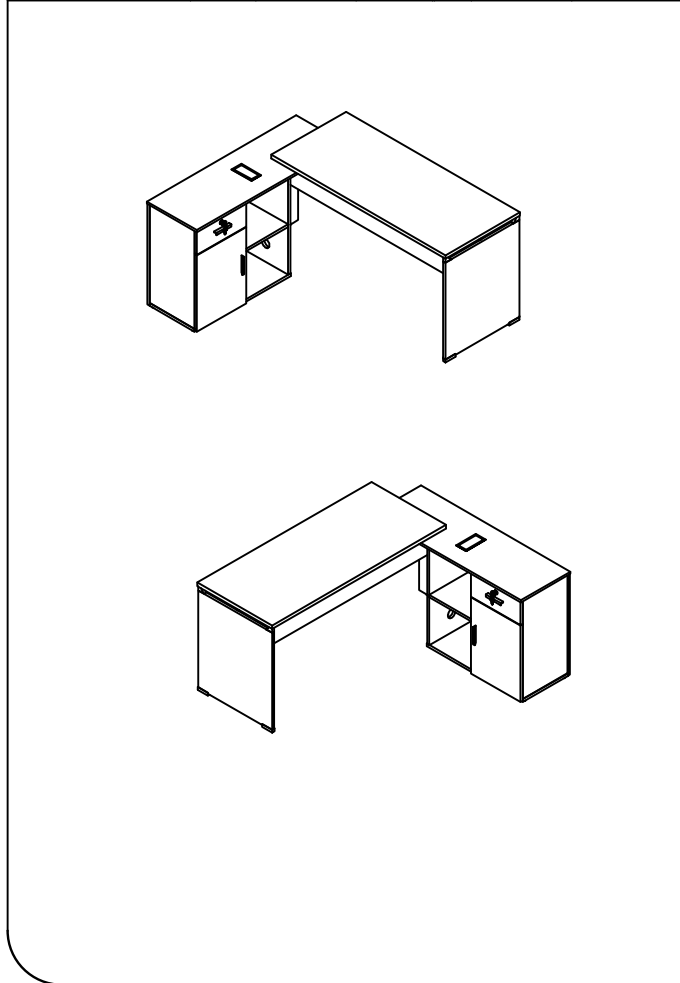
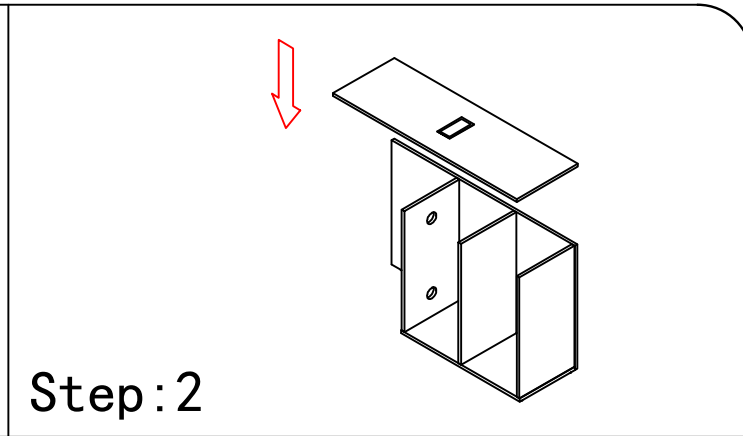
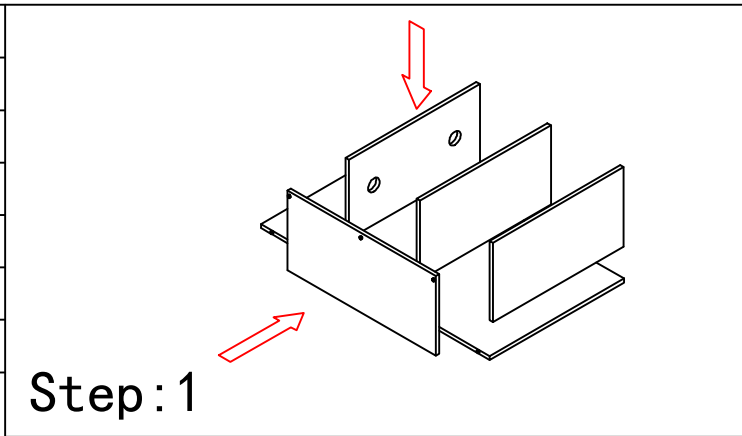


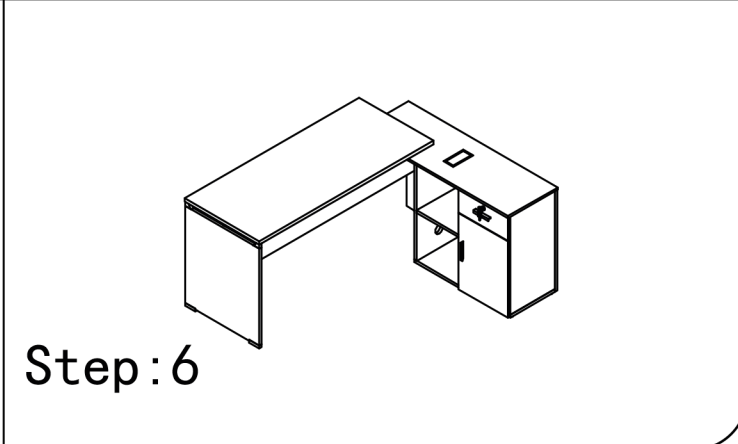
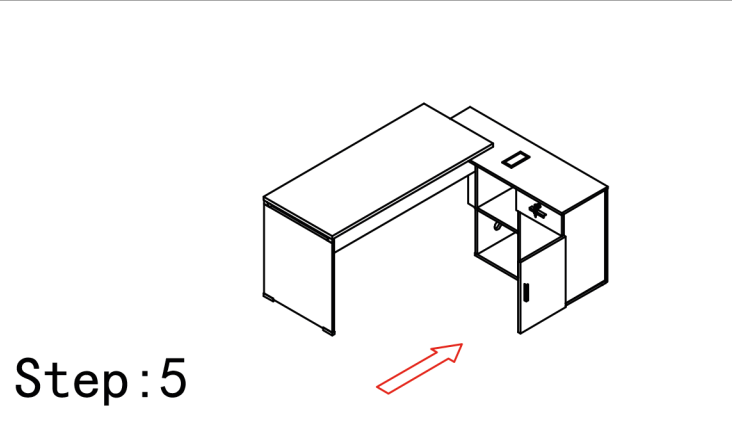
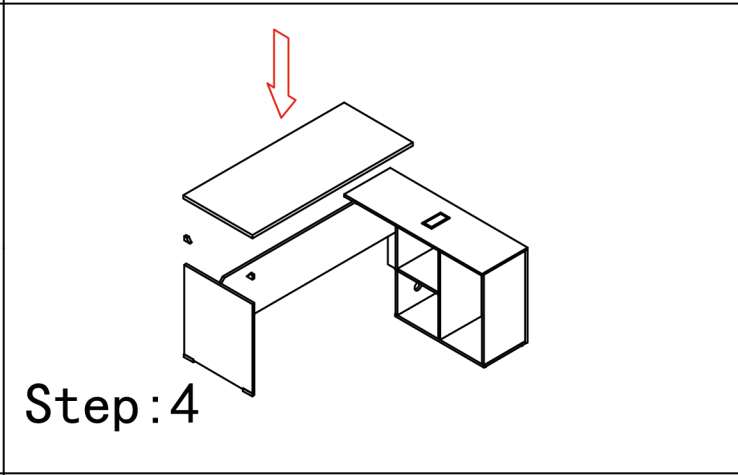
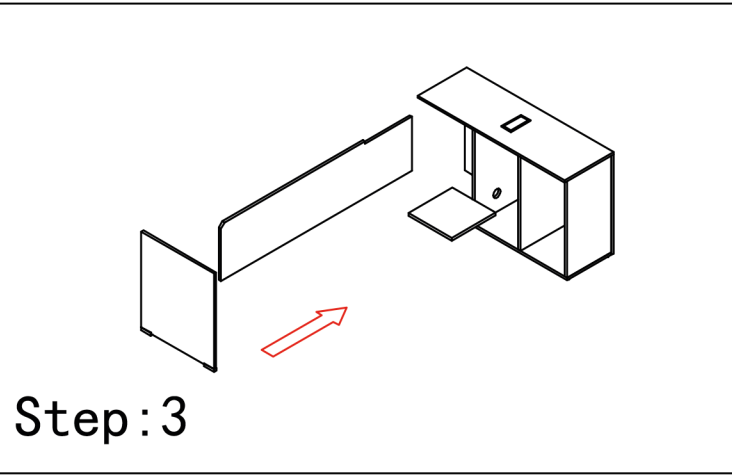
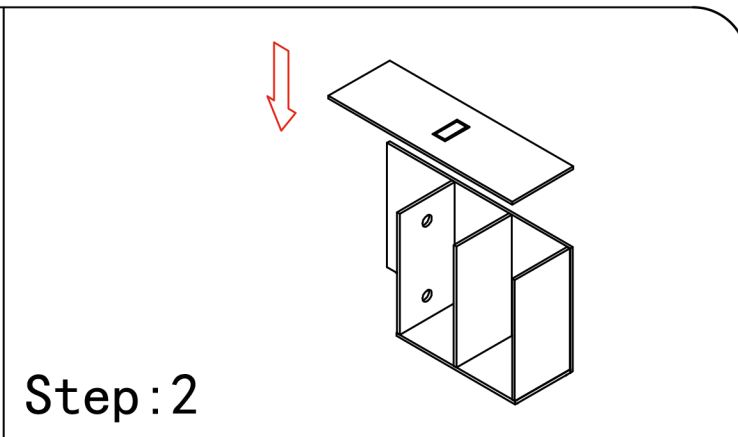
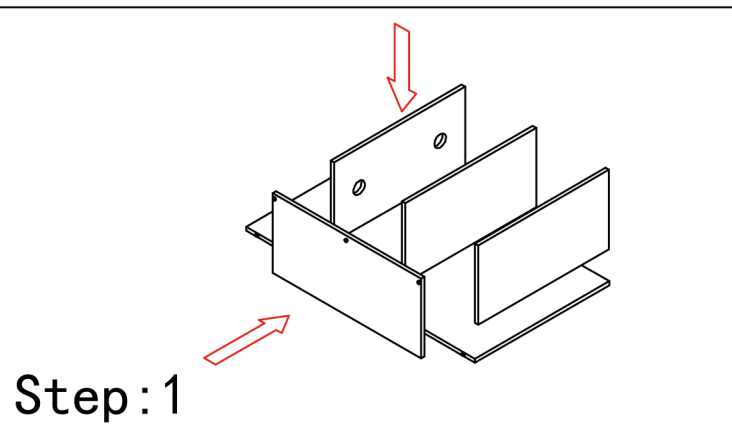
| Tools  |   | Connecting Parts  |    |   |   |    |  |
|--|---|---|----|---|---|----|--|
|  | A |  | 42 | G |  | 60 |  |
|  | B |  | 24 | H |  | 4  |  |
|  | C |  | 2  | J |  | 4  |  |
|  | D |  | 1  | K |   |    |  |
|  | E |  | 1  | L |   |    |  |
|  | F |  | 2  | M |   |    |  |

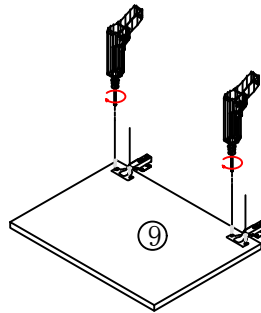
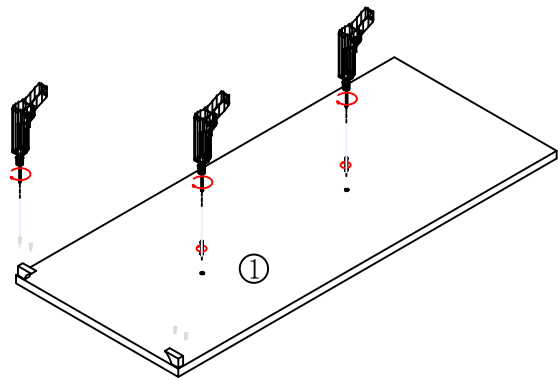


# Assembly Drawing

| Tools | Connecting Parts |  |    |   |  |    |
|-------|------------------|--|----|---|--|----|
|       | A                |  | 42 | G |  | 60 |
|       | B                |  | 24 | H |  | 4  |
|       | C                |  | 2  | J |  | 4  |
|       | D                |  | 1  | K |  |    |
|       | E                |  | 1  | L |  |    |
|       | F                |  | 2  | M |  |    |

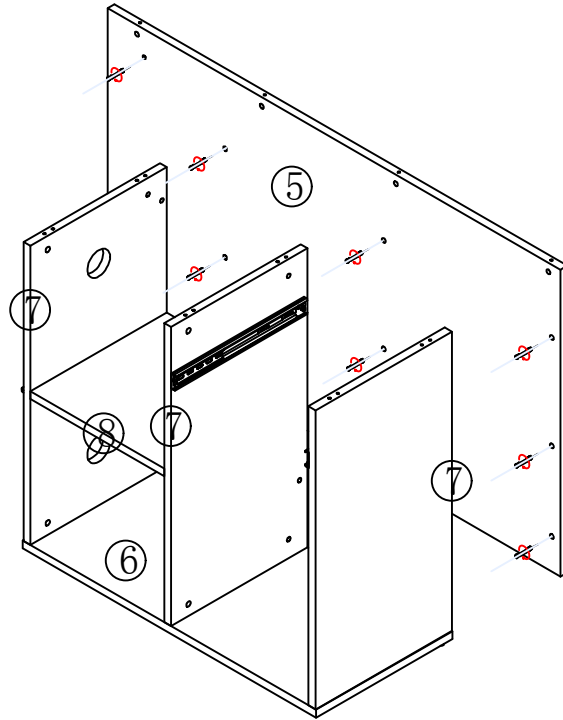
|    | W    | D   | H  |   |
|----|------|-----|----|---|
| 1  | 1400 | 600 | 25 | 1 |
| 2  | 682  | 594 | 18 | 1 |
| 3  | 1560 | 400 | 18 | 1 |
| 4  | 1200 | 400 | 18 | 1 |
| 5  | 1196 | 702 | 18 | 1 |
| 6  | 775  | 359 | 18 | 1 |
| 7  | 684  | 359 | 18 | 3 |
| 8  | 353  | 355 | 18 | 1 |
| 9  | 396  | 533 | 18 | 1 |
| 10 | 396  | 160 | 18 | 1 |
| 11 | 350  | 100 | 18 | 2 |
| 12 | 301  | 85  | 18 | 1 |
| 13 | 312  | 355 | 4  | 1 |



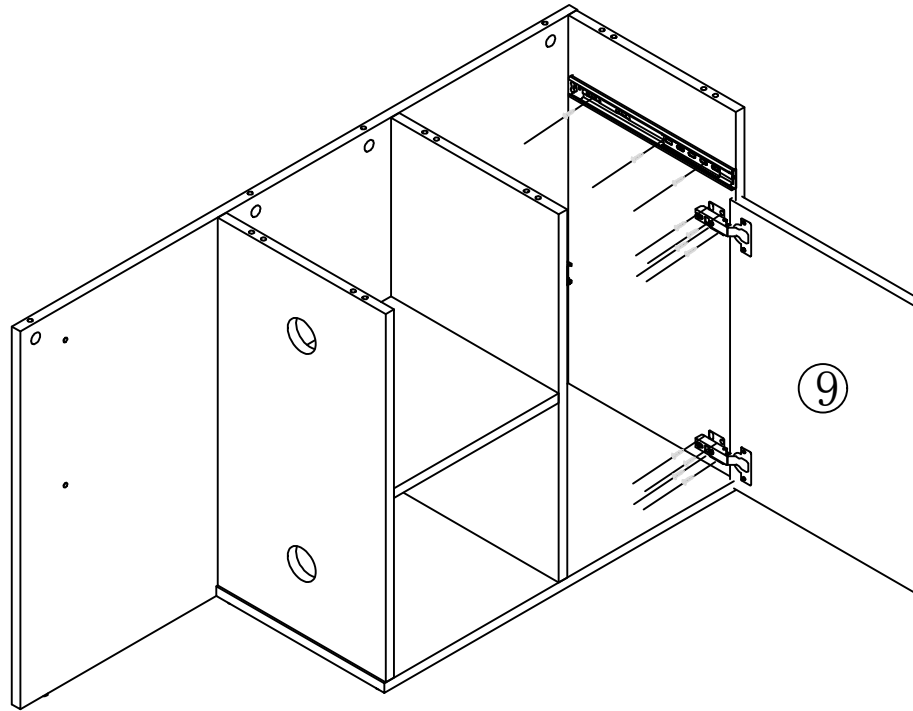


Step:1 Install all the three-in-one rods with tools,

The countertops are installed with self-tapping supports, and the door panels and hinges are installed with self-tapping.

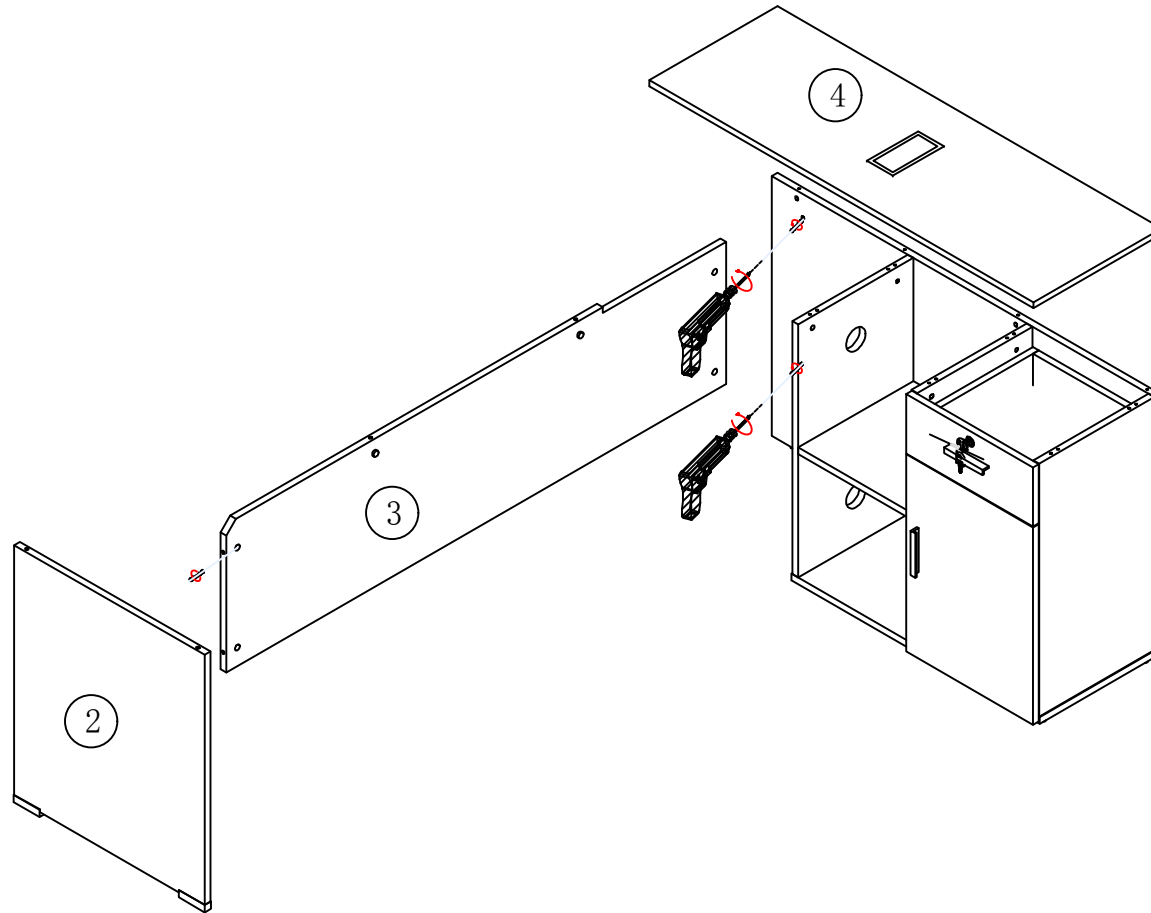


Step:2 Assemble the cabinet and lock it with three-in-one fasteners  
Install the drawer guide with self-tapping

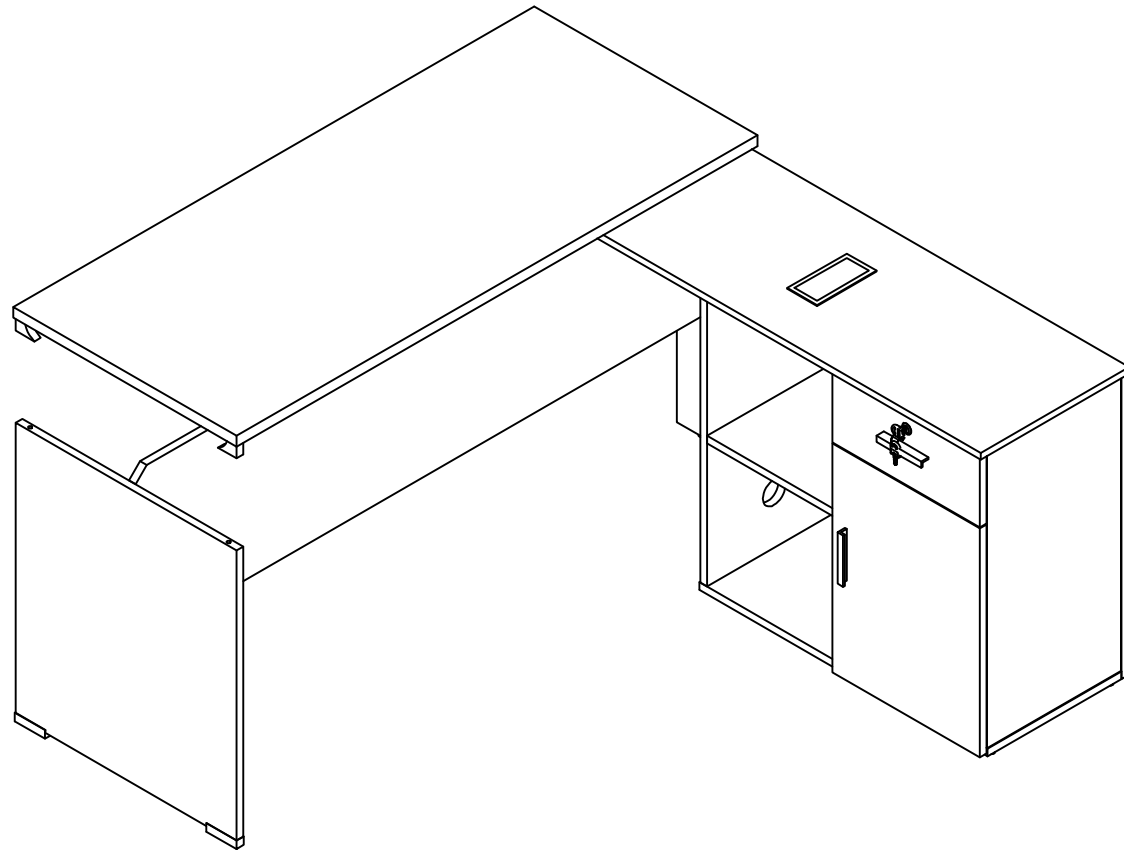


**Step: 3 Install the door panel  
with self-tapping**



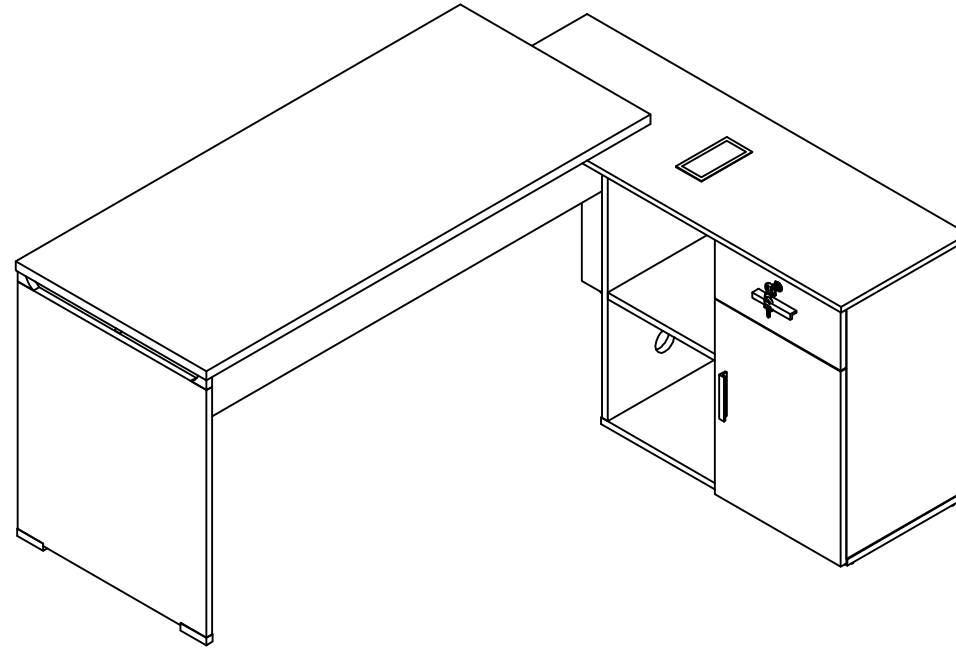


Step:5 Assemble the table leg pull plate and lock it with three-in-one fasteners



**Step:6 Assemble the countertop and lock it with three-in-one fasteners**





Step:7 Installation is complete