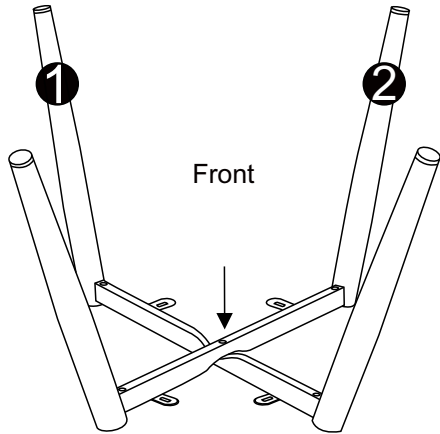


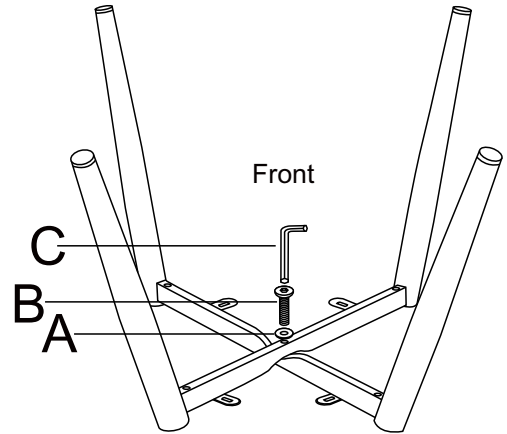
# ASSEMBLY INSTRUCTION

058-000065

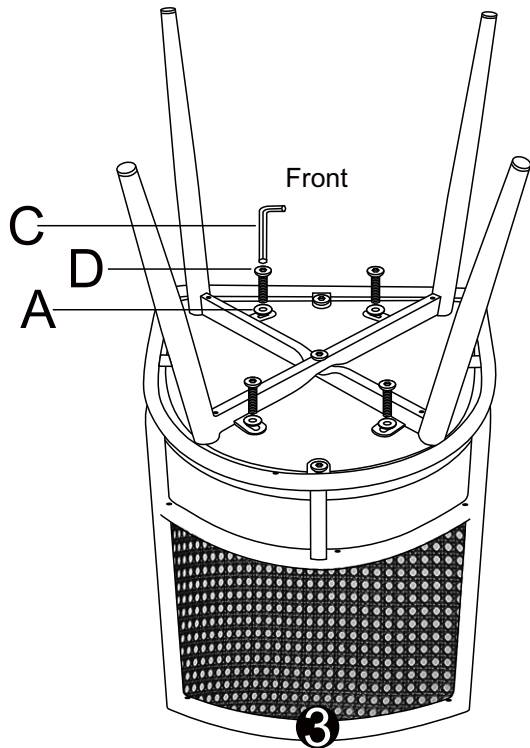
STEP:1



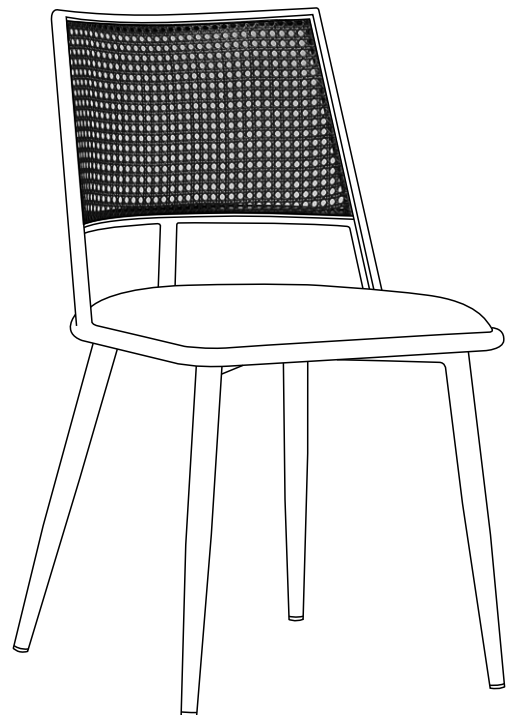
STEP:2



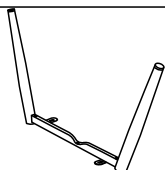
STEP:3



STEP:4

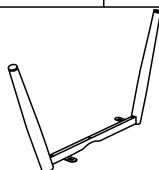


①



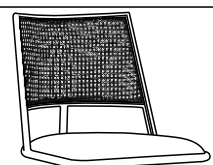
x1

②



x1

③



x1

A



M6xΦ16x1.5mm

x5

B



M6x30mm

x1

C



x1

D



M6x16mm

x4