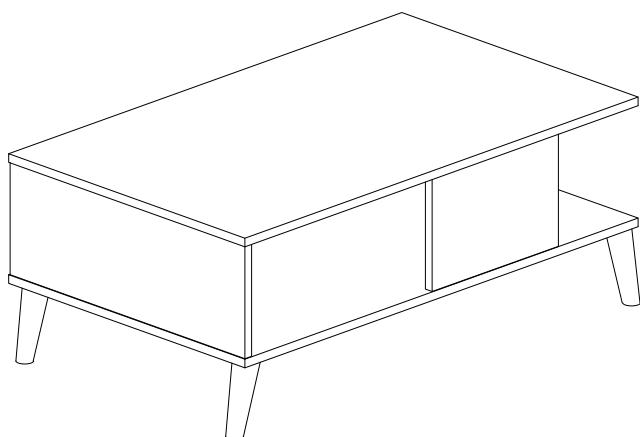


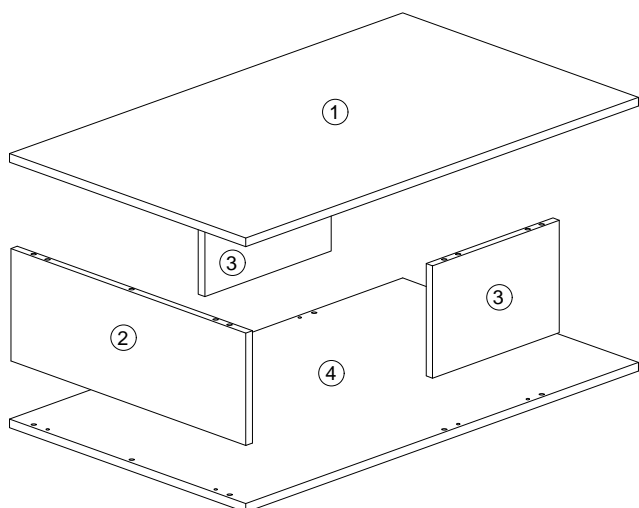
# Assembly Instruction

Model : 049-000065

Hardware List			
No.	SHAPE	DESCRIPTION	Qty.
A		8x25mm Dowel Wood	14Pcs
B		15MM Myfix Minifix	6Sets
C		M3.5x16mm Screw	16Pcs
D		M4x45mm Screw	6Pcs
E		Round Taper Leg 150mm	4Pcs

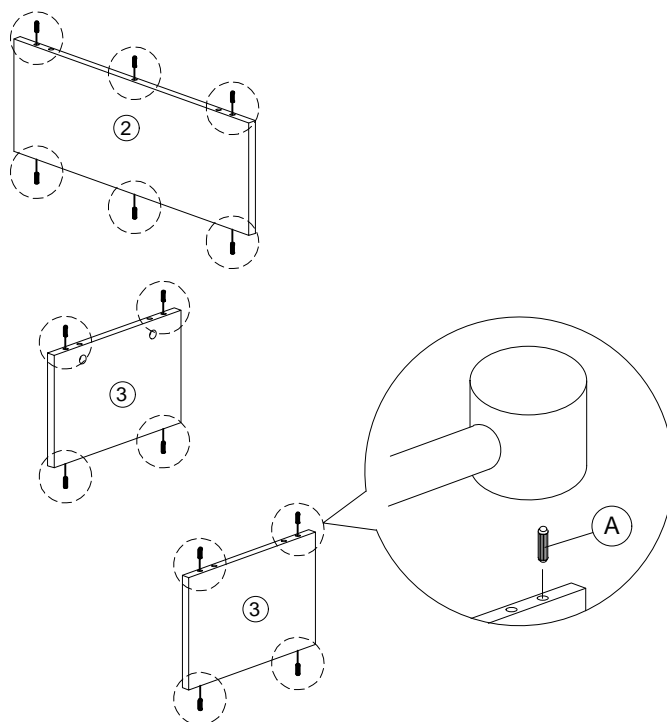


## Part List





## Step 1

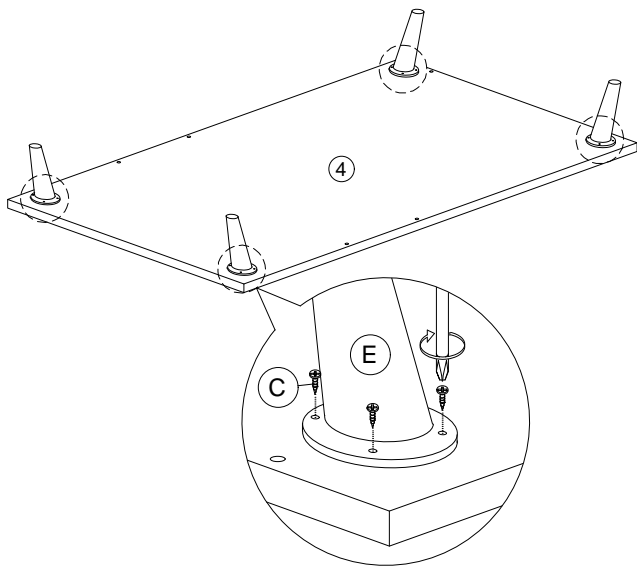
A		8x25mm Dowel Wood	14Pcs
---	---	-------------------	-------



# Assembly Instruction

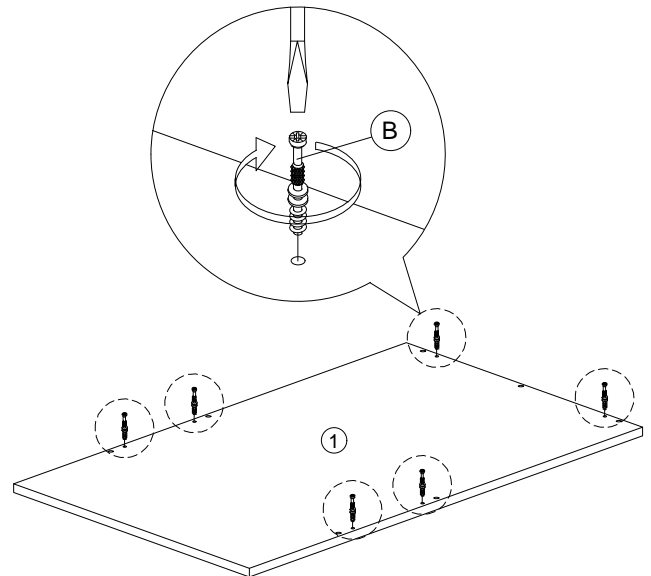
## Step 2

C		M3.5x16mm Screw	16Pcs
E		Round Taper Leg 150mm	4Pcs




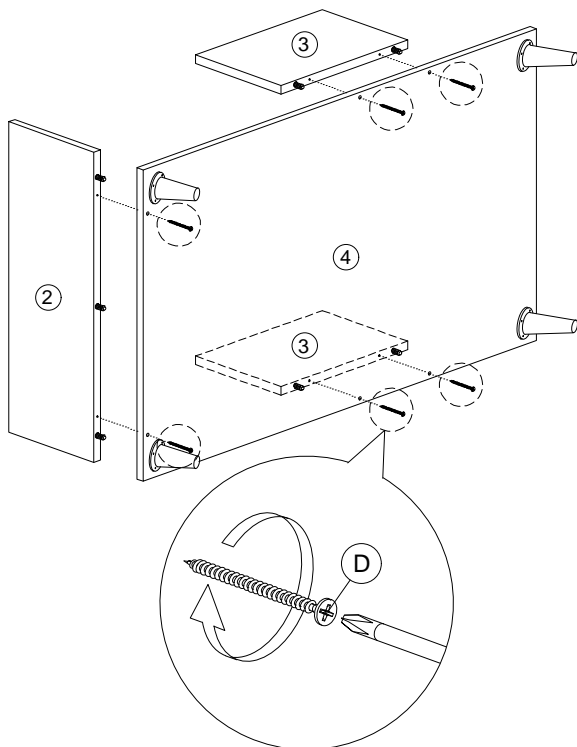
## Step 3

B		Myfix	6Pcs
---	---	-------	------




## Step 4

D		M4x45mm Screw	6Pcs
---	---	---------------	------



## Step 5

B		Minifix	6Pcs
---	---	---------	------

