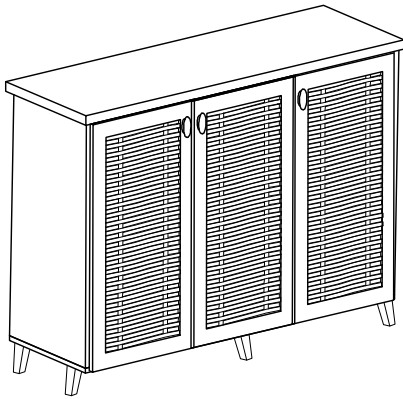


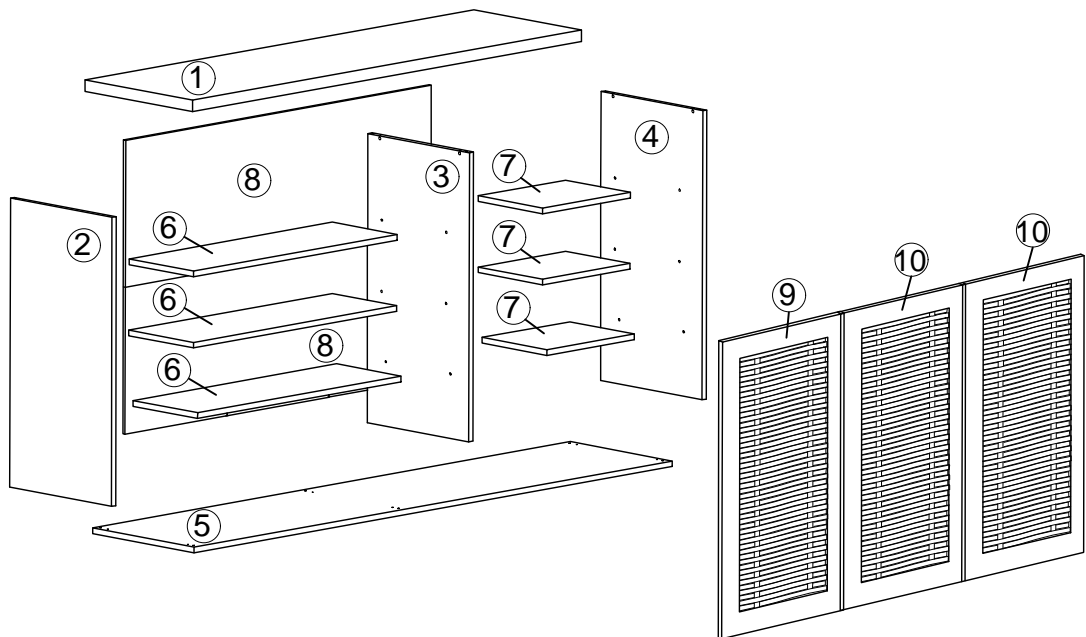
# Assembly Instruction

## Mantam Shoe Rack



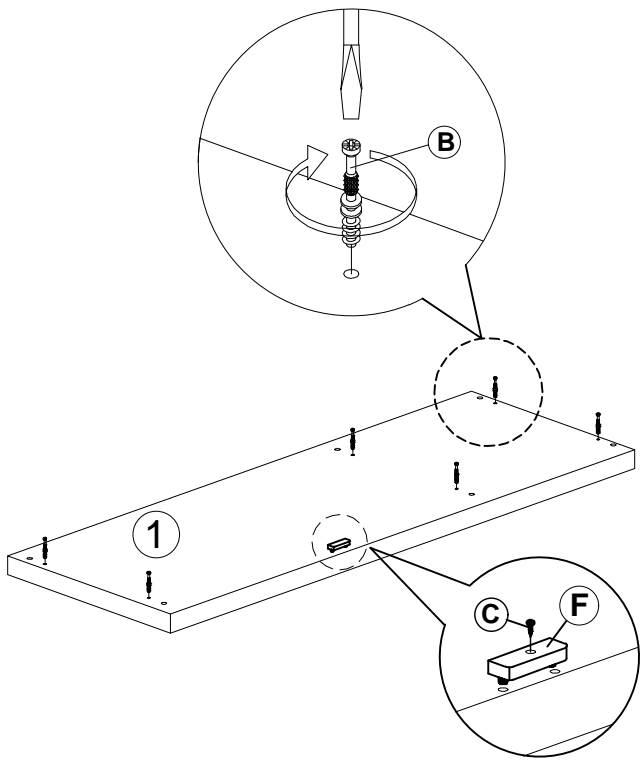
| Hardware List |       |                    |       |
|---------------|-------|--------------------|-------|
| No.           | SHAPE | DESCRIPTION        | Qty.  |
| A             |       | 8x25mm Dowel       | 12Pcs |
| B             |       | 15MM Myfix Minifix | 6Sets |
| C             |       | M3.5x16mm Screw    | 57Pcs |
| D             |       | M4x45mm Screw      | 6Pcs  |
| E             |       | Nail               | 40Pcs |
| F             |       | 2 Pin Stopper      | 1Pcs  |
| G             |       | Hinges             | 6Pcs  |
| H             |       | Plastic Leg        | 5Pcs  |
| I             |       | Shelf Support      | 24Pcs |
| J             |       | Handle Knod        | 3Pcs  |
| K             |       | M4x28mm Screw      | 3Pcs  |
| L             |       | Sticker            | 3Pcs  |

## Part List

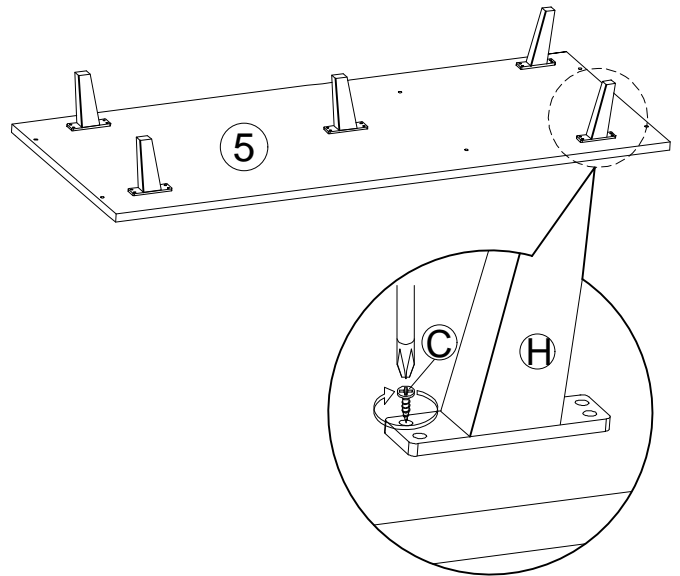


# Assembly Instruction

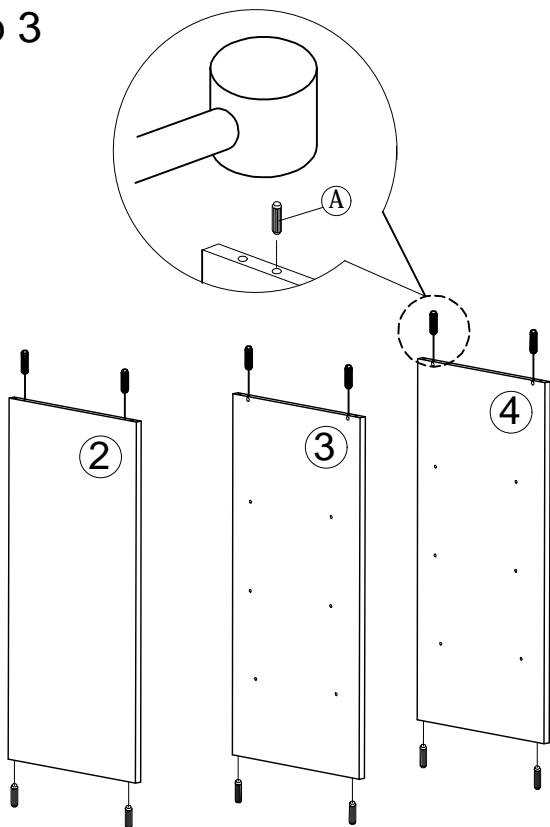
## Step 1



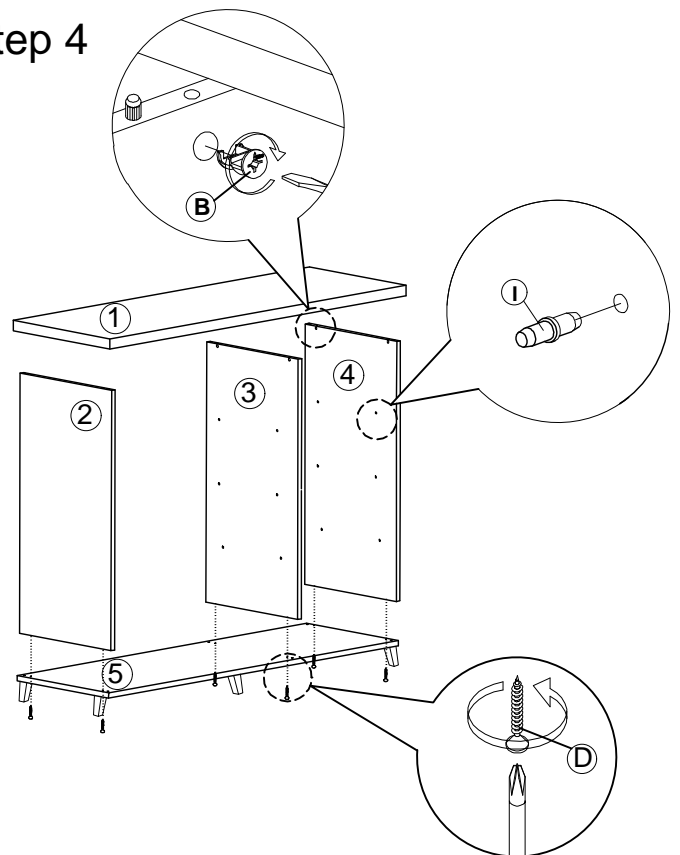
## Step 2



## Step 3

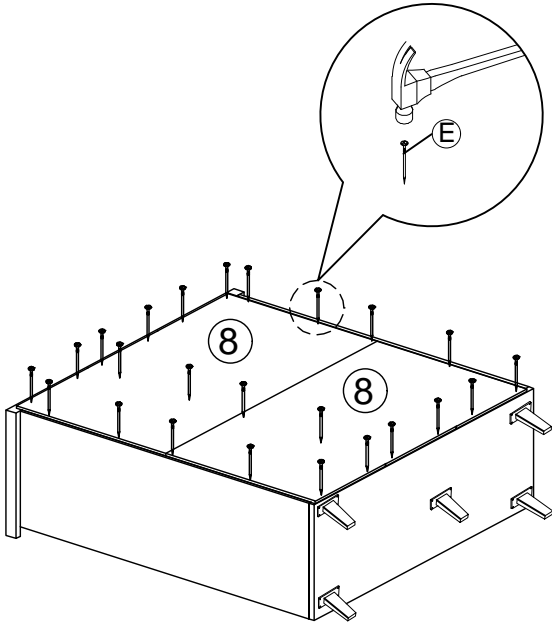


## Step 4

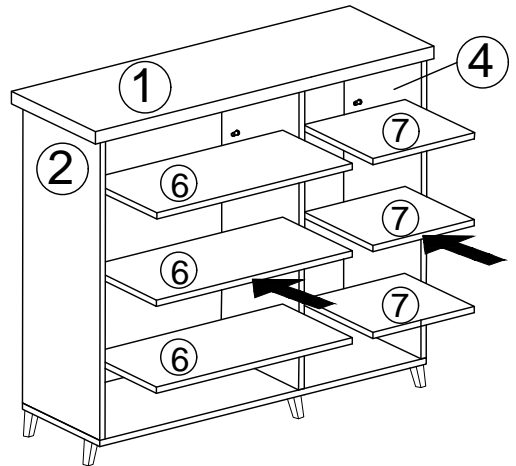


# Assembly Instruction

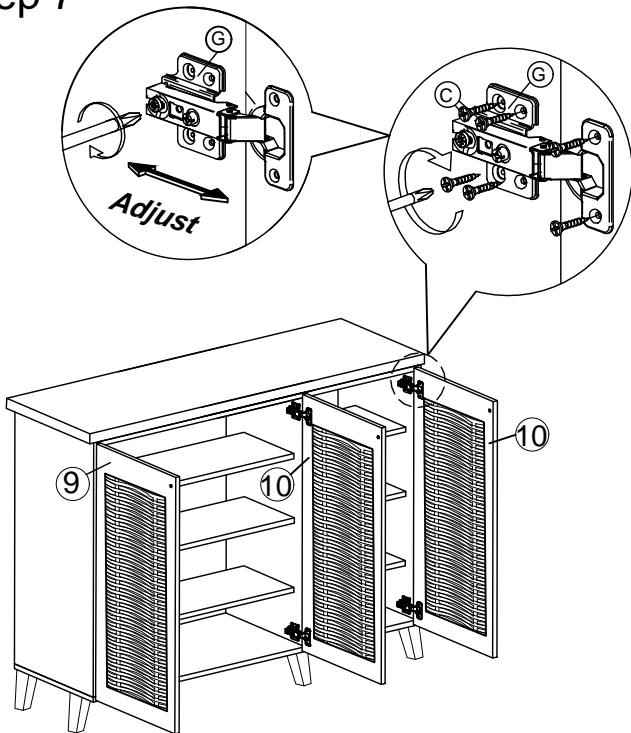
Step 5



Step 6



Step 7



Step 8

