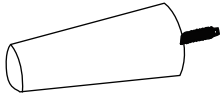


ASSEMBLY INSTRUCTION

035-000067

PARTS AND HARDWARE



Leg
4X

DIAGRAM 1

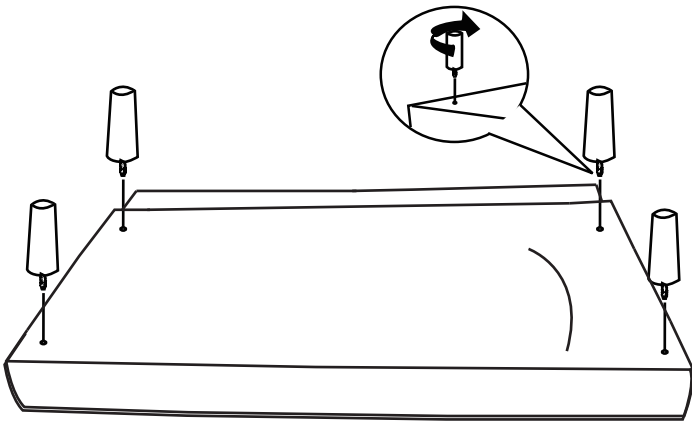


DIAGRAM 2

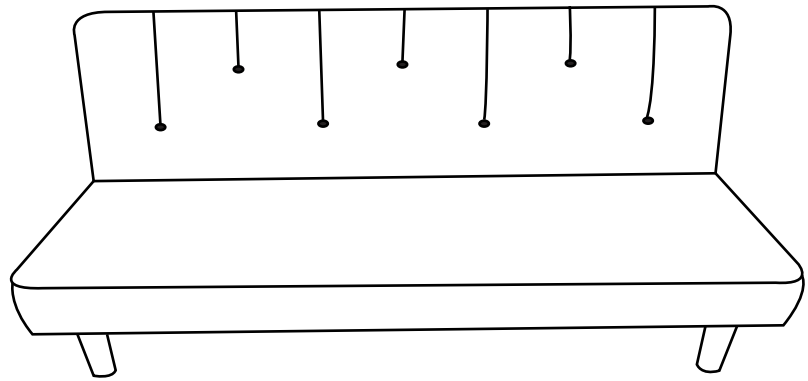


DIAGRAM 3

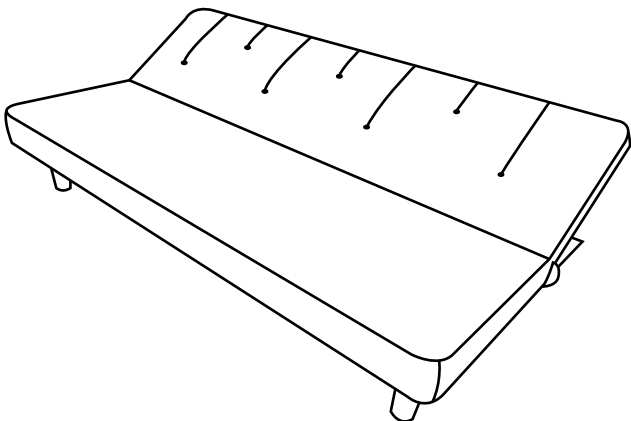


DIAGRAM 4

