

ASSEMBLING INSTRUCTION

A X1PC



B X1PC



C X1PC



D X4PCS



E X4PCS



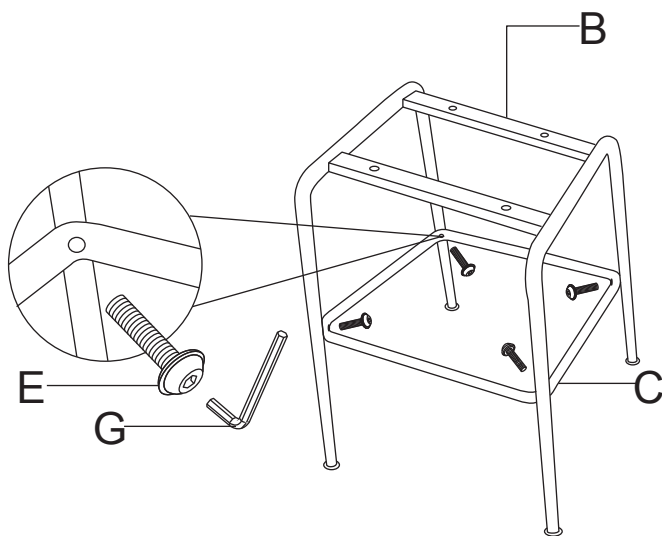
F X4PCS



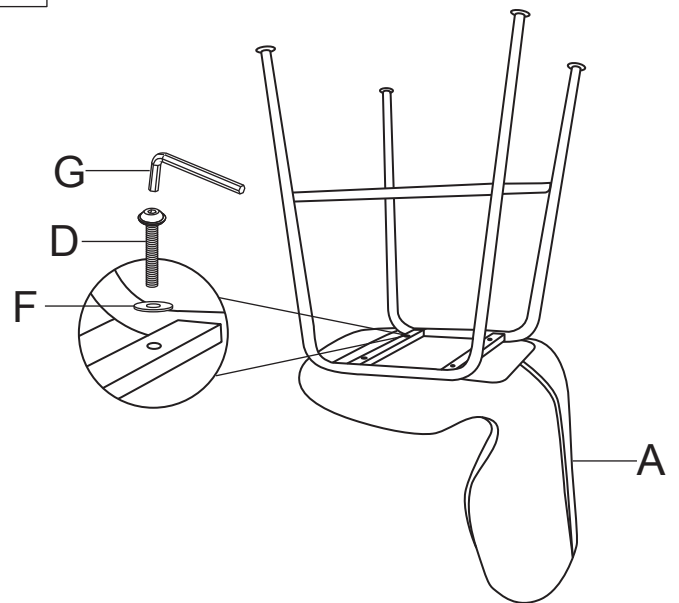
G X1PC



1



2



3

